

December 5, 2024



All Roads Kenworth, LLC  
2909 South Andrews Avenue, Fort Lauderdale, FL 33316

Main Office (954) 523-5484

Mike Crawford

352-427-5462

[mcrawford@allroads.com](mailto:mcrawford@allroads.com)

City of Hollywood  
2600 Hollywood Blvd.  
Hollywood, FL 33020-4807  
954-921-3046  
[jcastillo@hollywoodfl.org](mailto:jcastillo@hollywoodfl.org)

**Florida Sheriffs Association**  
**FSA23-VEH21.0 Item 62 Kenworth**  
T880/480  
52,000lb GVW Trucks  
with 16' Ox Dump

Code	Bid Specification – Options	Price	Extension
Item #62	2024 Kenworth T880 Base Chassis	\$ 136,917.00	\$ 136,917.00
2011613	Allison 3000RDS 6-speed with PTO provision	\$ 10,600.00	\$ 10,149.00
T48052K PKG	T480 Model 52KGVW PX-9 370 HP Engine 14210C Trans	\$ (4,521.00)	\$ (4,521.00)
66K GVW	66K GVW Pkg: 20K FA, 46K RA, Suspension, DBL Frame, Steering, Front Tires	\$ 33,344.00	\$ 33,344.00
Maverick 16	16' OX Dump 48" Sides 1/4 Floor Elect Tarp Air Gate	\$ 32,438.00	\$ 32,438.00
Pintle25T	25ton Pintle Hitch Includes Gladhands & Trailer Plug	\$ 3,063.00	\$ 3,063.00
9201828	Kenworth Base Vehicle 5 Year 100K Miles	\$ 2,820.00	\$ 2,820.00
9209689/9209116	PX9 Protect Plan 1 5 Year/100K mi Inc Aftertreatment Wty	\$ 2,190.00	\$ 2,190.00
Allison3000NR7	Warranty- Allison 3000 RDS 7yr - Unlimited Miles	\$ 1,060.00	\$ 1,060.00
Discount 2.10	<b>Dealer Discretionary Discount - Stock Unit - 2%</b>		\$ (4,209.00)
Reference:	<i>Note: All Options Include Florida Sheriffs Admin Fee Kenworth T880 Specifications &amp; Attached T480 Quote Number: QUO-966869-Y3Q9Y1 Dated Aug 15 2023</i>		
<b>Total Price</b>			<b>\$ 213,251.00</b>



**FSA AWARDED  
CONTRACT**

[flsheriffs.org](http://flsheriffs.org) | 850-877-2165  
[cpp@flsheriffs.org](mailto:cpp@flsheriffs.org)

**Florida Sheriffs Association Cooperative Purchasing Program FSA23-VEH21.0 Options**

Bidder: **ALL ROADS KENWORTH LLC**

Item make & model: **KENWORTH T880**

DEALER CONTACT: MIKE CRAWFORD 352-427-5462

Item number: **62 52,000 GVW TRUCK**

[mcrawford@allroadstrucks.com](mailto:mcrawford@allroadstrucks.com)



Manufacturer Order Code	Description	Price	Factory Installed or Vendor Installed?	Factory MSRP Discount % (factory-installed) <small>Note: Factory MSRP Discount % is based on CURRENT MSRP at time of Bid - Bid price reflects that discount %</small>	Cost-Plus Markup % (vendor-installed) <small>Note: Cost-Plus markup % is based on base Option/Body cost. The total % indicated includes all costs associated with Bid Price</small>
<b>Item 62</b>	<b>52,000 GVW Truck Kenworth T880 MX11 355HP Fuller 14210C BASE</b>	<b>\$ 136,917.00</b>			
	<b><u>ENGINES -Priced as MSRP Difference of the Base Spec Engine MX11 355HP Less a 19% Discount</u></b>				
0130228	Paccar PX-9 380HP For T880 Model <span style="float:right"><b>Credit</b></span>	<b>\$ (2,515.00)</b>	Factory Installed	MSRP Discount = 19%	
0701118	Paccar MX-11 445 HP	\$ 349.00	Factory Installed	MSRP Discount = 19%	
0701209	Paccar MX-13 455 HP W/Engine Brake	\$ 890.00	Factory Installed	MSRP Discount = 19%	
0701211	Paccar MX13 485 HP 1650 Ft/Lb (Plus Transmission Upgrade)	\$ 1,675.00	Factory Installed	MSRP Discount = 19%	
0701212	Paccar MX-13 510 HP 1850 Ft/Lb (Plus Transmission Upgrade)	\$ 2,321.00	Factory Installed	MSRP Discount = 19%	
0130341	Cummins X15L-450 450 HP 1650 Ft/Lb (Plus Transmission Upgrade)	\$ 8,217.00	Factory Installed	MSRP Discount = 19%	
0130351	Cummins X15L-470V 470 HP 1750 Ft/Lb (Plus Transmission Upgrade)	\$ 9,338.00	Factory Installed	MSRP Discount = 19%	
0130356	Cummins X15L-500V 500 HP 1650 Ft/Lb (Plus Transmission Upgrade)	\$ 9,980.00	Factory Installed	MSRP Discount = 19%	
0130368	Cummins X15L-565V 565 HP 1850 Ft/Lb (Plus Transmission Upgrade)	\$ 11,475.00	Factory Installed	MSRP Discount = 19%	
0130369	Cummins X15L-605V 565 HP 2050 Ft/Lb (Plus Transmission Upgrade)	\$ 18,688.00	Factory Installed	MSRP Discount = 19%	
	<b><u>Engine Accessories</u></b>				
1700149	Engine Retarder Jacobs for PX9 & L9N Engines	\$ 2,114.00	Factory Installed	MSRP Discount = 19%	
1000289	Engine Retarder MX-11 Engines	\$ 1,588.00	Factory Installed	MSRP Discount = 19%	
1247263	Exhaust Single Can 2024 Right Hand Under Cab with RH Side of Cab Stack	\$ 1,120.00	Factory Installed	MSRP Discount = 19%	
1247251	Exhaust Single Can 2024 Right Hand Under Cab with Dual Side of Cab Stacks	\$ 2,355.00	Factory Installed	MSRP Discount = 19%	
1123556	Cooling Module: 1330 square inches. Clog Resistant	\$ 933.00	Factory Installed	MSRP Discount = 19%	
1812162	Alternator 160 Amp Brushless	\$ 322.00	Factory Installed	MSRP Discount = 19%	
1811276	Alternator: Leece Neville 12V270 Amp Alternator	\$ 1,027.00	Factory Installed	MSRP Discount = 19%	
1812451	Alternator: Delco 40SI 12V320 Amp Brushless	\$ 1,192.00	Factory Installed	MSRP Discount = 19%	
1855007	Batteries: (3) Odyssey GP31 AGM Threaded Post	\$ 806.00	Factory Installed	MSRP Discount = 19%	
1821275	Batteries: 3 AGM 2775 CCA. For In-Cab Battery Box	\$ 345.00	Factory Installed	MSRP Discount = 19%	
6405000	In-cab Steel Battery Box: Under Rider Seat: Requires AGM Batteries	\$ 1,610.00	Factory Installed	MSRP Discount = 19%	
1840006	Battery Disconnect Switches (2)	\$ 616.00	Factory Installed	MSRP Discount = 19%	
6340009	REPTO: Rear Engine Power Take-Off MX11	\$ 2,817.00	Factory Installed	MSRP Discount = 19%	
6340070	REPTO: Rear Engine Power Take-Off MX13	\$ 2,795.00	Factory Installed	MSRP Discount = 19%	
6340040	REPTO: Rear Engine Power Take-Off PX9 / ISL9	\$ 4,335.00	Factory Installed	MSRP Discount = 19%	
	<b><u>Manual Transmissions - Priced as MSRP Difference from Base Spec Standard FRO14210C Less a 19% Discount</u></b>				
2058362	Trans: EATON FRO16210C 10 Speed	\$ 505.00	Factory Installed	MSRP Discount = 19%	
2058372	Trans: FULLER RTO16908LL 10 Speed Manual	\$ 1,656.00	Factory Installed	MSRP Discount = 19%	

FSA23-VEH21.0 ITEM 62 T880 OPTIONS - ALL ROADS KENWORTH, LLC

Manufacturer Order Code	Description	Price	Factory Installed or Vendor Installed?	Factory MSRP Discount % (factory-installed)	Cost-Plus Markup % (vendor-installed)
<b>Automated Transmissions - Priced as MSRP Difference from Base Spec Standard FRO14210C Less a 19% Discount</b>					
2058603	Paccar TX-12 PO-16F112C 12 Speed Automated with PTO Provision	\$ 5,050.00	Factory Installed	MSRP Discount = 19%	
2058610	Paccar TX-18 PRO-PXDP-16F118D 18 Speed Automated with PTO Provision	\$ 14,560.00	Factory Installed	MSRP Discount = 19%	
2058409	Trans: Fuller F016E308LL VCS Ultrashift Plus 10 Speed	\$ 10,325.00	Factory Installed	MSRP Discount = 19%	
2058437	Trans: Fuller Advantage Automated FAO-16810C EA3 10 Speed	\$ 4,135.00	Factory Installed	MSRP Discount = 19%	
<b>Allison Automatic Transmission - Priced as MSRP Difference from Base Spec Standard FRO14210C Less a 19% Discount</b>					
2011613	Transmission: Allison 3000RDS 6-speed with PTO provision (Requires PX-9)	\$ 10,600.00	Factory Installed	MSRP Discount = 19%	
2011631	Transmission: Allison 3500RDS 6-speed with PTO provision	\$ 11,250.00	Factory Installed	MSRP Discount = 19%	
2016612	Transmission: Allison 4000RDS 6-speed w/o retarder, with PTO provision	\$ 24,980.00	Factory Installed	MSRP Discount = 19%	
2016627	Transmission: Allison 4500RDS 6-speed w/o retarder, with PTO provision	\$ 26,200.00	Factory Installed	MSRP Discount = 19%	
<b>GVW UPGRADE PACKAGES - Priced as MSRP Difference from Base Spec Standard 52K &amp; Upgrade GVWR Less 19% Discount</b>					
66K GVW	66K GVW Package See Dealer for Spec Comparison Print out as Required <i>Package above Includes: 20K Front Axle, Suspension, Steering, Brakes, 425/65R22.5 Front Tires, 12.25 x 22.5 Front Wheels, 46K Rear Axle, 46K Suspension, 46K Rear Brakes, 11R22.5 16 Ply Rear Tires, WB &lt; 265" Custom Frame Layout, &amp; Double Frame Upgrades</i> <i>(Above Option Package Requires Additional Engine / Transmission Upgrades)</i>	\$ 33,344.00	Factory Installed	MSRP Discount = 19%	
88K GVW	88K GVW Package X15 565HP Allison 4500RDS W Steerable Pusher <i>Package above Includes: 20K Front Axle, Suspension, Steering, Brakes, 425/65R22.5 Front Tires, 12.25 x 22.5 Front Wheels, 52K Rear Axle, 52K Suspension, 52K Rear Brakes, 12R22.5 16 Ply Rear Tires, Custom Frame Layout, &amp; Double Frame Upgrades</i>	\$ 123,785.00	Factory Installed	MSRP Discount = 19%	
101K GVW	101K GVW Package X15 565HP Allison 4500RDS Tridem Drive W Steerable Pusher <i>Package above Includes: 20K Front Axle, Suspension, Steering, Brakes, 425/65R22.5 Front Tires, 12.25 x 22.5 Front Wheels, 69K Rear Axle, 69K Suspension, 69K Rear Brakes, 12R22.5 16 Ply Rear Tires, Custom Frame Layout, &amp; Double Frame Upgrades</i>	\$ 142,411.00	Factory Installed	MSRP Discount = 19%	
<b><u>GVW / T480 MODEL DOWNGRADE PACKAGES - Priced as Model / MSRP Difference from Base Model Spec Standard 52K and downgrade Less 9% Discount</u></b>					
T48052K PKG	T480 Model 52KGVW PX-9 370 HP Engine 14210C Trans. CREDIT	\$ (4,521.00)	Factory Installed	MSRP Discount = 9%	
T480VHD PKG	T480 Model Vocational Hood Package, Stationary Grill, Front Frame Ext, FEPTO Provision	\$ 4,925.00	Factory Installed	MSRP Discount = 9%	
<b><u>GVW / DOWNGRADE PACKAGES - Priced as MSRP Difference from Base Model Spec Standard 52K and downgrade Less 19% Discount</u></b>					
T88035K PKG	T880 Model 35,000 GVW Single Axle MX11 350 HP Engine 14210C Trans CREDIT	\$ (3,699.00)	Factory Installed	MSRP Discount = 19%	
T88038K PKG	T880 Model 38,000 GVW Single Axle MX11 350 HP Engine 14210C Trans 12K FA 26K RA	\$ 4,925.00	Factory Installed	MSRP Discount = 19%	

FSA23-VEH21.0 ITEM 62 T880 OPTIONS - ALL ROADS KENWORTH, LLC

Manufacturer Order Code	Description	Price	Factory Installed or Vendor Installed?	Factory MSRP Discount % (factory-installed)	Cost-Plus Markup % (vendor-installed)
<b>T880 Model CNG Packages - Priced as MSRP Difference from Base Spec Standard 52K and CNG Package Less 19% Discount</b>					
<i>Does Not Include CNG Tanks</i>					
X12N4500RDSPKG	CNG - ISX12N 400 HP 1450 Ft/Lb With Allison 4500RDS	\$ 95,262.00	Factory Installed	MSRP Discount = 19%	
X12N400PKG	CNG - ISX12N 400 HP 1450 Ft/Lb Engine, CNG Prep, CNG Exhaust	\$ 65,300.00	Factory Installed	MSRP Discount = 19%	
X15N4500RDSPKG	CNG - ISX15N 450 HP 1450 Ft/Lb With Allison 4500RDS CNG Prep, CNG Exhaust	\$ 115,518.00	Factory Installed	MSRP Discount = 19%	
L9N3000RDSPKG	CNG - L9N 320 HP With Required Allison 3000RDS - Limits GCW to 66,000lbs	\$ 68,530.00	Factory Installed	MSRP Discount = 19%	
L9N4500RDSPKG	CNG - L9N 320 HP With Upgrade to Allison 4500RDS - Limits GCW to 66,000lbs	\$ 83,700.00	Factory Installed	MSRP Discount = 19%	
1247019	Exhaust: Single Horizontal CNG Catalyst	\$ 20,200.00	Factory Installed	MSRP Discount = 19%	
1247033	Exhaust: Single Right Hand Under Cab Single Vertical Tailpipe Side of Cab	\$ 16,850.00	Factory Installed	MSRP Discount = 19%	
1227053	Exhaust Single Independent CNG Single Right Hand Vertical Back of Cab	\$ 18,650.00	Factory Installed	MSRP Discount = 19%	
<b>T480 Model L9N 320HP CNG Packages Priced as MSRP Difference from Base Spec Standard 52K and CNG Package Less 9% Discount</b>					
<i>Does Not Include CNG Tanks</i>					
T480L9N4500RDS	T480 52,000# GVW: L9N 320 HP Upgraded to 4500RDS Limits GCW to 66,000lbs	\$ 79,100.00	Factory Installed	MSRP Discount = 9%	
T480L9N3000RDS	T480 52,000# GVW: L9N 320 HP Req. Minimum 3000RDS Limits GCW to 66,000lbs	\$ 64,030.00	Factory Installed	MSRP Discount = 9%	
<b><u>CNG Tank Packages Pricing includes Mounting, Shipping</u></b>					
CNG AG30DGERM	Agility CNG Tank 30 DGE Single 30 Rail Mounted	\$ 31,968.00	Vendor Installed		Cost Plus 25%
CNG AG50DGEBOC	Agility CNG Tanks 50 DGE Back Of Cab	\$ 41,446.00	Vendor Installed		Cost Plus 15%
CNG AG60DGERM	Agility CNG Tanks 60 DGE Dual 30 Rail Mounted	\$ 44,830.00	Vendor Installed		Cost Plus 15%
CNG AG60DGEBOC	Agility CNG Tanks 60 DGE Back Of Cab	\$ 41,446.00	Vendor Installed		Cost Plus 15%
CNG AG80DGEBOC	Agility CNG Tanks 80 DGE Back Of Cab	\$ 45,705.00	Vendor Installed		Cost Plus 15%
CNG AG90DGERM	Agility CNG Tanks 90 DGE Dual 45 Rail Mounted	\$ 49,264.00	Vendor Installed		Cost Plus 15%
CNG AG106DGERM	Agility CNG Tanks 106 DGE Back Of Cab	\$ 55,273.00	Vendor Installed		Cost Plus 15%
CNG AG120DGERM	Agility CNG Tanks 120 DGE Dual 60 Rail Mounted	\$ 61,748.00	Vendor Installed		Cost Plus 15%
CNG AGFBF	Front Bumper Fill Port (Either Side)	\$ 2,252.00	Vendor Installed		Cost Plus 15%
CNG AGDFH	35' De-Fueling Hose (Each)	\$ 1,308.00	Vendor Installed		Cost Plus 15%
CNG MM60DGESM	Momentum CNG Tanks 60 DGE Dual 30 Rail Mounted	\$ 45,891.00	Vendor Installed		Cost Plus 15%
CNG MM80DGEBOC	Momentum CNG Tanks 80 DGE Back Of Cab	\$ 49,312.00	Vendor Installed		Cost Plus 15%
CNG MM90DGERM	Momentum CNG Tanks 90 DGE (1) 50 & (1) 40 Rail Mounted	\$ 51,690.00	Vendor Installed		Cost Plus 15%
CNG MM95DGEBOC	Momentum CNG Tanks 95 DGE Back Of Cab	\$ 56,830.00	Vendor Installed		Cost Plus 15%
CNG MM100DGERM	Momentum CNG Tanks 100 DGE Dual 50 Rail Mounted	\$ 54,684.00	Vendor Installed		Cost Plus 15%
CNG MM120DGERM	Momentum CNG Tanks 120 DGE Dual 60 Rail Mounted	\$ 63,019.00	Vendor Installed		Cost Plus 15%
CNG MM135DGEBOC	Momentum CNG Tanks 135 DGE Back Of Cab	\$ 56,705.00	Vendor Installed		Cost Plus 15%
CNG MM175DGEBOC	Momentum CNG Tanks 175 DGE Back Of Cab	\$ 71,554.00	Vendor Installed		Cost Plus 15%
8229005	Methane Detection System For Natural Gas	\$ 1,529.00	Factory Installed	MSRP Discount = 19%	

FSA23-VEH21.0 ITEM 62 T880 OPTIONS - ALL ROADS KENWORTH, LLC

Manufacturer Order Code	Description	Price	Factory Installed or Vendor Installed?	Factory MSRP Discount % (factory-installed)	Cost-Plus Markup % (vendor-installed)
<b>FRAME / CHASSIS / SUSPENSION OPTIONS</b>					
6056600	Frame Rails 10-3/4" x 3-1/2 x 3/8"	\$ 805.00	Factory Installed	MSRP Discount = 19%	
6057600	Frame Rails 11-5/8" x 3-7/8 x 3/8"	\$ 1,595.00	Factory Installed	MSRP Discount = 19%	
6141200	Double Frame: Full Steel Insert for 10-5/8 or 10-3/4 Main Frame	\$ 2,245.00	Factory Installed	MSRP Discount = 19%	
6144615	Double Frame: Full Steel Insert for 11-5/8 Main Frame	\$ 4,200.00	Factory Installed	MSRP Discount = 19%	
6391201	Custom Frame Layout	\$ 1,141.00	Factory Installed	MSRP Discount = 19%	
6790003	Special Frame Drilling - Drawing must be provided	\$ 1,450.00	Factory Installed	MSRP Discount = 19%	
9490645/9490647	Zinc Phosphate Frame Rail Processing Inc Frame Insert	\$ 652.00	Factory Installed	MSRP Discount = 19%	
6302461	Bumper Tapered Chrome Steel Channel	\$ 485.00	Factory Installed	MSRP Discount = 19%	
6303763	Bumper Heavy Duty Tapered Painted Steel Box	\$ 1,475.00	Factory Installed	MSRP Discount = 19%	
6321005	Removable Front Tow Hooks	\$ 245.00	Factory Installed	MSRP Discount = 19%	
6324025/6390312	Front Tow Hook Center Mounted Cast with Drop Pin / Iron Front Spring Brackets	\$ 405.00	Factory Installed	MSRP Discount = 19%	
6405000/1821275	In-Cab Battery Box / In-Cab Battery Box Seat / AGM Batteries	\$ 1,197.00	Factory Installed	MSRP Discount = 19%	
6405082	Aluminum Under Cab Battery Box with integral Steps Polished	\$ 1,225.00	Factory Installed	MSRP Discount = 19%	
9102040	Moisture Ejection Valve: Two Bendix DV-2 Automatic	\$ 240.00	Factory Installed	MSRP Discount = 19%	
9100016	Air Dryer Wabco 1200 Plus	\$ 370.00	Factory Installed	MSRP Discount = 19%	
9140015	Wirebraid Air Hose in Frame Rails : Nylon in cab	\$ 960.00	Factory Installed	MSRP Discount = 19%	
9150170	Aluminum Air Tanks vs Steel	\$ 360.00	Factory Installed	MSRP Discount = 19%	
9110020	Full Truck Kit - Factory Air and Electric to Rear Frame For Trailer Connection	\$ 795.00	Factory Installed	MSRP Discount = 19%	
9140326	Additional 7 Way Electrical Connector End of Frame	\$ 965.00	Factory Installed	MSRP Discount = 19%	
7210150	Fuel Tank 150 Gallon Aluminum	\$ 485.00	Factory Installed	MSRP Discount = 19%	
7216100/7214100	Dual 100 Gal Alum Fuel Tanks w/20 Gal DEF Tank	\$ 2,200.00	Factory Installed	MSRP Discount = 19%	
7721100/789819	Factory Frame mounted Hydraulic/Water Tank 100Gal (4) Tank fittings (2) Fwd & (2) Rear	\$ 1,450.00	Factory Installed	MSRP Discount = 19%	
7721060/789819	Factory Frame mounted Hydraulic/Water Tank 60Gal (4) Tank fittings (2) Fwd & (2) Rear	\$ 1,100.00	Factory Installed	MSRP Discount = 19%	
7831044	Fuel Tank Steps 6in Wide Upper & Lower NFPA Compliant Per Tank	\$ 445.00	Factory Installed	MSRP Discount = 19%	
7840015	Polish Fuel or Hydraulic Tank Per Tank	\$ 450.00	Factory Installed	MSRP Discount = 19%	
7821103/7889081	Heavy Duty 7 Inch Wide Steel Fuel Tank Supports w SS Straps/Polished Per Tank	\$ 775.00	Factory Installed	MSRP Discount = 19%	
7840038	Polished Stainless DEF Tank Cover	\$ 290.00	Factory Installed	MSRP Discount = 19%	
<b>FRONT AXLE / SUSPENSION UPGRADE PACKAGES</b>					
Priced as MSRP Difference of Base Spec 12K Front Axle & Suspension Less a 19% Discount					
14.6K FA PKG	Front Axle: 14,600# Brakes/ Springs / Steering / Tires	\$ 1,290.00	Factory Installed	MSRP Discount = 19%	
16K FA PKG	Front Axle: 16,000# Brakes/ Springs / Steering / Tires	\$ 7,420.00	Factory Installed	MSRP Discount = 19%	
20K FA PKG	Front Axle: 20,000# Brakes/ Springs / Steering / Tires	\$ 10,180.00	Factory Installed	MSRP Discount = 19%	

FSA23-VEH21.0 ITEM 62 T880 OPTIONS - ALL ROADS KENWORTH, LLC

Manufacturer Order Code	Description	Price	Factory Installed or Vendor Installed?	Factory MSRP Discount % (factory-installed)	Cost-Plus Markup % (vendor-installed)
	<b>REAR AXLE / SUSPENSION UPGRADE OPTIONS / PACKAGES Priced as MSRP</b>				
	Difference of Base Spec 40K Rear Axle & Reyco Spring Susp.				
	Less a 19% Discount				
	<b>REAR AXLE OPTIONS</b>				
3121181	Rear Axle Dana D40-172P Vocational 40K Heavy Housing & Larger Axle Shafts	\$ 3,696.00	Factory Installed	MSRP Discount = 19%	
3122164	Rear Axle MERITOR RT-40-160P Vocational40K Heavy Housing & Large Axle Shafts	\$ 5,490.00	Factory Installed	MSRP Discount = 19%	
3142171	Rr Axle MERITOR RT-46-164P Vocational46K Heavy Housing Larger Axle Shafts	\$ 5,680.00	Factory Installed	MSRP Discount = 19%	
52K RA PKG	52K Rear Axle, Brakes, Suspension (Requires Additional Frame & Tire Upgrades)	\$ 27,331.00	Factory Installed	MSRP Discount = 19%	
3511420	Driver Controlled Differential Locks: (2) Axles	\$ 2,488.00	Factory Installed	MSRP Discount = 19%	
	<b>REAR SUSPENSION OPTIONS</b>				
	<u>Air Ride Suspensions</u>				
3730026	Rear Suspension: Kenworth Airglide 400L 4 Bag 40,000 LB	\$ 1,196.00	Factory Installed	MSRP Discount = 19%	
3730030	Rear Suspension: Kenworth Airglide 400 8 Bag 40,000 LB	\$ 2,765.00	Factory Installed	MSRP Discount = 19%	
3740130	Rr Suspension: Kenworth Airglide 460 46,000 LB 8 Bag w/Dual Leveling Valve	\$ 3,908.00	Factory Installed	MSRP Discount = 19%	
3744156	Rear Suspension: Neway Air Ride 46,000 LB	\$ 8,131.00	Factory Installed	MSRP Discount = 19%	
3754153	Rear Suspension: Neway Air Ride 52,000 LB	\$ 1,060.00	Factory Installed	MSRP Discount = 19%	
				MSRP Discount = 19%	
	<u>Spring / Rubber Mounted Suspensions</u>			MSRP Discount = 19%	
3739217/3832026	Rear Suspension: Chalmers 854-40 40,000 LB 54 IN. w/Shocks	\$ 4,715.00	Factory Installed	MSRP Discount = 19%	
3749201/3832026	Rear Suspension: Chalmers 854-46 46,000 LB 54 IN. w/Shocks	\$ 6,100.00	Factory Installed	MSRP Discount = 19%	
3749287/3832026	Rear Suspension: Chalmers 854-52 52,000 LB 54 IN. w/Shocks	\$ 7,800.00	Factory Installed	MSRP Discount = 19%	
3732977	Rear Suspension: Hendrickson HAULMAAX EX (HMX) 400 40K	\$ 2,980.00	Factory Installed	MSRP Discount = 19%	
3747462	Rear Suspension: Hendrickson RT463 46,000# 54 in. Axle Spacing	\$ 5,820.00	Factory Installed	MSRP Discount = 19%	
3742992	Rear Suspension: Hendrickson ULTIMAAX 460 46K	\$ 7,888.00	Factory Installed	MSRP Discount = 19%	
3752992	Rear Suspension: Hendrickson ULTIMAAX 520 52K	\$ 8,860.00	Factory Installed	MSRP Discount = 19%	
3742942	Rear Suspension: Hendrickson HAULMAAX EX (HMX) 460 46K	\$ 4,992.00	Factory Installed	MSRP Discount = 19%	
3752942	Rear Suspension: Hendrickson HAULMAAX EX (HMX) 520 52K	\$ 6,730.00	Factory Installed	MSRP Discount = 19%	
	<b>LIFT AXLE &amp; SUSPENSION OPTIONS / INC WHEELS &amp; TIRES</b>				
3808026	Non Steerable Pusher Axle Watson Chalin 21K Inc Tires Steel Wheels (Req 66K GVW Pkg)	\$ 16,980.00	Factory Installed	MSRP Discount = 19%	
3808025	Non Steerable Pusher Axle Watson Chalin 23K Inc Tires Steel Wheels (Req 66K GVW Pkg)	\$ 18,880.00	Factory Installed	MSRP Discount = 19%	
				MSRP Discount = 19%	
3808131	Steerable Lift Axle: Watson Chalin 13,200 LB Inc Tires Steel Wheels (Req 66K GVW Pkg)	\$ 12,350.00	Factory Installed	MSRP Discount = 19%	
3808802	Steerable Lift Axle: Watson Chalin 20,000 LB Inc Tires Steel Wheels (Req 66K GVW Pkg)	\$ 17,520.00	Factory Installed	MSRP Discount = 19%	
3808027	Steerable Lift Axle: Watson Chalin 23,000 LB Inc Tires Steel Wheels (Req 66K GVW Pkg)	\$ 28,280.00	Factory Installed	MSRP Discount = 19%	

FSA23-VEH21.0 ITEM 62 T880 OPTIONS - ALL ROADS KENWORTH, LLC

Manufacturer Order Code	Description	Price	Factory Installed or Vendor Installed?	Factory MSRP Discount % (factory-installed)	Cost-Plus Markup % (vendor-installed)
	<b>TIRE / STEEL WHEEL OPTIONS - Priced as MSRP Difference from Base Spec Wheels &amp; Tires Less a 19% Discount</b>				
4010093/5042312	Front Tires/Wheels: 425/65R22.5 Michelin, Goodyear, (Or Equal Determined by Availability)	\$ 2,348.00	Factory Installed	MSRP Discount = 19%	
4017211/5042312	Front Tires/Wheels: 385/65R22.5 Michelin, Goodyear, (Or Equal Determined by Availability)	\$ 2,335.00	Factory Installed	MSRP Discount = 19%	
4010006/5042367	Front Tires/Wheels: 315/80R22.5 Michelin, Goodyear, (Or Equal Determined by Availability)	\$ 2,025.00	Factory Installed	MSRP Discount = 19%	
4010137/4210002	Front & Rear Tires: 11R22.5 Tires Michelin, Goodyear, (Or Equal Determined by Availability)	\$ 4,949.00	Factory Installed	MSRP Discount = 19%	
4017158/4210003	Front & Rear Tires: 11R24.5 Tires Michelin, Goodyear, (Or Equal Determined by Availability)	\$ 6,068.00	Factory Installed	MSRP Discount = 19%	
4210002	Rear Tires: (8) 11R22.5 Tires & Michelin, Goodyear, (Or Equal Determined by Availability)	\$ 3,950.00	Factory Installed	MSRP Discount = 19%	
4210003/5242310	Rear Tires: (8) 11R24.5 Tires & Steel Wheels	\$ 4,088.00	Factory Installed	MSRP Discount = 19%	
5242367/4277537	Rear Tires: (8) 315/80R22.5 Tires & Steel Wheels	\$ 7,443.00	Factory Installed	MSRP Discount = 19%	
5242367/4238810	Rear Tires: (8) 12R22.5 Tires & Steel Wheels	\$ 6,633.00	Factory Installed	MSRP Discount = 19%	
	<b>ALUMINUM WHEEL OPTIONS</b>				
5245263	Front Wheels:22.5 X 8.25 Aluminum (2)	\$ 438.00	Factory Installed	MSRP Discount = 19%	
5245265	Front Wheels: 24.5 X 8.25 Aluminum (2)	\$ 448.00	Factory Installed	MSRP Discount = 19%	
5042324	Front Wheels: 22.5 X 9.00 Aluminum (2)	\$ 525.00	Factory Installed	MSRP Discount = 19%	
5045218	Front Wheels: 22.5 X 12.25 Aluminum (2)	\$ 625.00	Factory Installed	MSRP Discount = 19%	
5245263 10	Front / Rear Wheels: 22.5 X 8.25 Aluminum (10)	\$ 1,750.00	Factory Installed	MSRP Discount = 19%	
5245265 10	Front / Rear Wheels: 24.5 X 8.25 Aluminum (10)	\$ 1,850.00	Factory Installed	MSRP Discount = 19%	
5042324 10	Front / Rear Wheels: 22.5 X 9.00 Aluminum (10)	\$ 2,150.00	Factory Installed	MSRP Discount = 19%	
	<b>Sleeper Packages Priced as MSRP Difference from Base Spec Less a 19% Discount</b>				
40 SLEEPER	40 Inch Sleeper Package	\$ 17,950.00	Factory Installed	MSRP Discount = 19%	
52 SLEEPER	52 Inch Sleeper Package	\$ 22,862.00	Factory Installed	MSRP Discount = 19%	
76 SLEEPER	76 Inch Sleeper Package	\$ 35,950.00	Factory Installed	MSRP Discount = 19%	
	<b>CAB / LIGHTS / SAFETY OPTIONS</b>				
80909604	Hood T880 Standard Length (Required with Cummins X15 & X12N)	\$ 295.00	Factory Installed	MSRP Discount = 19%	
8865003	Dual Kenworth Motorized Mirrors	\$ 290.00	Factory Installed	MSRP Discount = 19%	
8850823 2	Hood Mounted Mirror (PAIR)	\$ 390.00	Factory Installed	MSRP Discount = 19%	
1160208	Bugscreen Mounted Between Hood & Grill	\$ 105.00	Factory Installed	MSRP Discount = 19%	
8879917	Two Additional Outboard Windows Back of Cab	\$ 380.00	Factory Installed	MSRP Discount = 19%	
8890135	Exterior Steel Sunvisor	\$ 749.00	Factory Installed	MSRP Discount = 19%	
8841618	Dual Roof Mtd Air Horns	\$ 205.00	Factory Installed	MSRP Discount = 19%	
8800380	Dual Side Of Cab Grabhandles	\$ 265.00	Factory Installed	MSRP Discount = 19%	
8410273	Driver Seat Air Ride GT702 HB DuraCloth	\$ 365.00	Factory Installed	MSRP Discount = 19%	
8460272	Rider Seat Air Ride GT702 HB DuraCloth	\$ 745.00	Factory Installed	MSRP Discount = 19%	
8480068	2 Passenger Bench Seat	\$ 714.00	Factory Installed	MSRP Discount = 19%	
8601880	CB Radio W/ Weather Band Header Mount	\$ 475.00	Factory Installed	MSRP Discount = 19%	
8208497	Four Spare Switches Wired to Power	\$ 137.00	Factory Installed	MSRP Discount = 19%	
8700196	Turn Signal Self Cancelling	\$ 221.00	Factory Installed	MSRP Discount = 19%	
8205177	Dash Mounted PTO Switch	\$ 196.00	Factory Installed	MSRP Discount = 19%	
9042542	Fog Lights Clear Lens	\$ 406.00	Factory Installed	MSRP Discount = 19%	
9060011	Halogen Spotlight LH mounted	\$ 151.00	Factory Installed	MSRP Discount = 19%	
9060055	Halogen Spotlight LH & RH mounted	\$ 280.00	Factory Installed	MSRP Discount = 19%	
9080141	Dual Low Profile LED Amber Beacon Strobes Roof Mounted	\$ 806.00	Factory Installed	MSRP Discount = 19%	
9080148	Dual Low Profile Roof Mounted Brackets / Switch & Wiring For Cust Installed Strobes	\$ 292.00	Factory Installed	MSRP Discount = 19%	
9090000/9009007	Daytime Running Lights With Override Switch	\$ 191.00	Factory Installed	MSRP Discount = 19%	

FSA23-VEH21.0 ITEM 62 T880 OPTIONS - ALL ROADS KENWORTH, LLC

Manufacturer Order Code	Description	Price	Factory Installed or Vendor Installed?	Factory MSRP Discount % (factory-installed)	Cost-Plus Markup % (vendor-installed)
9090316	Junction Box End of Frame	\$ 245.00	Factory Installed	MSRP Discount = 19%	
9056144	Floodlights Dual LED Pedestal Mtd Back of Cab	\$ 338.00	Factory Installed	MSRP Discount = 19%	
9052008	Floodlights Dual LED Flush Mounted Back of Cab	\$ 165.00	Factory Installed	MSRP Discount = 19%	
9058071	Switch & Wiring, Indicator Light for Customer installed Work Lights	\$ 120.00	Factory Installed	MSRP Discount = 19%	
9943052/996003	Metallic Paint Color / Non Standard Paint	\$ 1,025.00	Factory Installed	MSRP Discount = 19%	
9940044	Frame Paint Other than Black	\$ 1,925.00	Factory Installed	MSRP Discount = 19%	
9944824	2 Color Paint Daycab	\$ 4,875.00	Factory Installed	MSRP Discount = 19%	
9090147	Back Up Alarm	\$ 152.00	Factory Installed	MSRP Discount = 19%	
9490206	Safety Triangles	\$ 45.00	Factory Installed	MSRP Discount = 19%	
9490404	Fire Extinguisher 5lb Dry Chemical	\$ 126.00	Factory Installed	MSRP Discount = 19%	
NFPAPKG	NFPA Compliance Seats, Seat Occupancy Sensors & VDR Harness	\$ 2,650.00	Factory Installed	MSRP Discount = 19%	
BUC	Back Up Camera	\$ 1,815.00	Vendor Installed		Cost Plus 25%
Brigade BUC	Brigade Back Up Camera System	\$ 2,938.00	Vendor Installed		Cost Plus 25%
Brigade BackSense	Brigade Back Up Camera with BackSense Radar	\$ 7,813.00			
Brigade 360	Brigade Back Up Camera with 360 System	\$ 12,312.00			
TPMS	Dealer-Installed TPMS System	\$ 2,875.00	Vendor Installed		Cost Plus 25%
AWLED	(6) Amber LED Strobe Lights 4 Corner & 2 Side Mount	\$ 2,986.00	Vendor Installed		Cost Plus 25%
LED2	(2) Amber / Amber White Surface Mtd LED Strobes Per Pair	\$ 948.00	Vendor Installed		Cost Plus 25%
SAFETY	Cab Fire Extinguisher & Safety Triangles	\$ 397.00	Vendor Installed		Cost Plus 25%
Autolube	Auto Lube System for Bodies	\$ 8,242.00	Vendor Installed		Cost Plus 25%
Fire Suppression	Fire Suppression System DAFO	\$ 7,895.00	Vendor Installed		Cost Plus 25%
NSCB25	Non Scheduled Custom Specified Bodies are Available at Cost + up to 25% Mark Up Includes, Engineering, FSA Fees, Storage & Shipping Costs	25%	Vendor Installed		Cost Plus Up to 25%
	<b><u>DUMP BODIES</u></b>				
Stampede 16	16' Ox Stampede Dump Body Hard Ox AR450 Elec Tarp Air Gate Allison PTO	\$ 44,133.00	Vendor Installed		Cost Plus 25%
Maverick 16	16' Ox Maverick Dump Body 48" Sides 1/4" Plate Floor Elec Tarp Air Gate Allison PTO	\$ 32,438.00	Vendor Installed		Cost Plus 25%
Stampede 14	14' Ox Stampede Dump Body Hard Ox AR450 Elec Tarp Air Gate Allison PTO	\$ 43,614.00	Vendor Installed		Cost Plus 25%
Maverick 14	14' Ox Maverick Dump Body 48" Sides 1/4" Plate Floor Elec Tarp Air Gate Allison PTO	\$ 29,188.00	Vendor Installed		Cost Plus 25%
Chisolm 14	14' Ox Chisolm Dump Body 48" sides, syamdard tailgate,	\$ 37,231.00	Vendor Installed		Cost Plus 25%
Chisolm 16	16' Ox Chisolm Dump Body 48" sides, syamdard tailgate,	\$ 40,724.00	Vendor Installed		Cost Plus 25%
Warren 16 CML	Warren 16' Crossmemberless Dump Body 56" Sides 1/4" AR450 Elec Tarp Air Gate	\$ 46,438.00	Vendor Installed		Cost Plus 25%
Warren 16 Elliptical	Warren 16' Elliptical Dump Body 62" Sides 1/4" AR450 Elec Tarp Air Gate	\$ 43,188.00	Vendor Installed		Cost Plus 25%
Warren 14 CONT	Warren 14' Dump Body 42" Sides 3/16" AR450 Floor Elec Tarp Center Manual Gate	\$ 41,250.00	Vendor Installed		Cost Plus 25%
	<b><u>Body Upgrade Options</u></b>				
Custom Color	Paint Dump Body Other Color than Black / White	\$ 3,250.00	Vendor Installed		Cost Plus 25%
2 Way Tail Gate	2 Way Tail Gate Dump Bodies	\$ 3,129.00	Vendor Installed		Cost Plus 25%
HiLift Gate	Hi-Lift Gate Dump Bodies	\$ 2,781.00	Vendor Installed		Cost Plus 25%
DBV	Dump Body Electric Vibrator	\$ 2,250.00	Vendor Installed		Cost Plus 25%
TOOLBOX48	Under body tool boxes - 18x18x48 steel	\$ 1,950.00	Vendor Installed		Cost Plus 25%
TOOLBOX36	Under body tool boxes - 18x18x36 steel	\$ 1,850.00	Vendor Installed		Cost Plus 25%
TOOLBOX24	Under body tool boxes - 18x18x24 steel	\$ 1,650.00	Vendor Installed		Cost Plus 25%
DBBUC	Body builder installed Basic Back Up Camera	\$ 1,725.00	Vendor Installed		Cost Plus 25%
PINTLE 25T	25ton Pintle Hitch Includes Factory Gladhands & Seven-way Trailer Plug	\$ 3,063.00	Vendor Installed		Cost Plus 25%
DBLEDS	Body Builder installed Basic (4) LED Flashers Amber (2) Cab Shield (2) Rear of Body	\$ 1,185.00	Vendor Installed		Cost Plus 25%
	<b><u>FLAT BEDS / TANKER TRUCKS / FUEL BODIES</u></b>				Cost Plus 25%
16FLAT	16' Flat Bed Body Bulkhead	\$ 21,755.00	Vendor Installed		Cost Plus 25%
20FLAT	20' Flat Bed Body Bulkhead	\$ 24,378.00	Vendor Installed		Cost Plus 25%
24FLAT	24' Flat Bed Body Bulkhead	\$ 28,331.00	Vendor Installed		Cost Plus 25%



FSA23-VEH21.0 ITEM 62 T880 OPTIONS - ALL ROADS KENWORTH, LLC

Manufacturer Order Code	Description	Price	Factory Installed or Vendor Installed?	Factory MSRP Discount % (factory-installed)	Cost-Plus Markup % (vendor-installed)
TMA Scorpion	TL-3 Scorpion II, TMA Truck Mounted Attenuator Crash Truck	\$ 79,350.00	Vendor Installed		Cost Plus 12%
	<i>Complete TMA Flatbed Ballasted, Hyd Arrowboard,LED's Cameras DVR</i>				

FSA23-VEH21.0 ITEM 62 T880 OPTIONS - ALL ROADS KENWORTH, LLC

Manufacturer Order Code	Description	Price	Factory Installed or Vendor Installed?	Factory MSRP Discount % (factory-installed)	Cost-Plus Markup % (vendor-installed)
<b><u>SEWER VACUUM / CLEANERS /JETTERS / HYDRO EXCAVATORS/ RECYCLERS</u></b>					
<b>AVAILABLE AT COST +5%</b>					
AquatechB10-1450	Aquatech B10-1450 Combination Sewer & Vacuum Truck Basic Unit	\$ 457,800.00	Vendor Installed		Cost Plus 5%
Vactor2100	Vactor 2100 Sewer Cleaner 10 Cubic Yard Basic Unit (Options Available)	\$ 481,950.00	Vendor Installed		Cost Plus 5%
TruVacFLXX	TruVac Flexx 10 Cubic Yard Sewer Cleaner Basic Unit (Options Available)	\$ 329,700.00	Vendor Installed		Cost Plus 5%
TruVacHXX	TruVac HXX 12 Cubic Yard Sewer Cleaner Basic Unit (Options Available)	\$ 445,080.00	Vendor Installed		Cost Plus 5%
VacCon	VACCON HYDRO EXCAVATOR Basic Unit (Options Available)	\$ 491,925.00	Vendor Installed		Cost Plus 5%
VAC TNK	4000 Gal Steel Basic Septic Vac Tank	\$ 82,247.00			
VAC TNK AL	4000 Gal Aluminum Basic Septic Vac Tank	\$ 93,379.00			
Klein K-400	4,000 Gallon Water Tank for Truck Direct PTO mtd pump KLEIN K-400 TRAPEZOID	\$ 82,247.00	Vendor Installed		Cost Plus 25%
Water Cannon	Water Cannon Turret Upgrade for Water Truck (Additional Upgrades Available)	\$ 14,300.00	Vendor Installed		Cost Plus 25%
WATERTRUCK 4K	4,000 Gallon Water Tank for Truck Direct PTO mtd pump	\$ 82,247.00	Vendor Installed		Cost Plus 25%
WATERTNK 3K SS	Water Tank Truck 3,000 Gallon Stainless (Req current quote at time of Order)	\$ 114,305.00	Vendor Installed		Cost Plus 25%
CT MIXER	Concrete Mixer Body 10.5 Cubic Yard (Wet Batch Style)	\$ 149,212.00	Vendor Installed		Cost Plus 25%
VOLUM MIXER ZM	Volumetric Concrete Mixer 10 Cubic Yard - Zimmerman	\$ 229,692.00	Vendor Installed		Cost Plus 12%
LSFUEL-LUBE	1550 gal Fuel & Lube Body with DEF, Water, Air, Grease, Used Oil System	\$ 216,425.00	Vendor Installed		Cost Plus 10%
2KSSFUELLUBEHC	2000 Gal Stainless Fuel Tank & Lube Body with DEF, Water, Grease, Hose Reel Cab	\$ 201,273.00	Vendor Installed		Cost Plus 10%
FUEL AL4K	4000 Gal Aluminum Refined Fuel Tanker With Hose Reel	\$ 151,800.00	Vendor Installed		Cost Plus 10%
<b><u>GRAPPLE LOADERS &amp; BODIES</u></b>					
PetersenAL-1	Petersen AL-1 Atlas Grapple w/ 50 C.Y. HardOx Body Inc Strobes,Lights & BU Cam	\$ 173,395.00	Vendor Installed		Cost Plus 10%
ATLAS DWT	Petersen AL-1 Atlas Dual Walk through 24' 40CY HDX Body Quadsticks Strobes,Lights	\$ 174,355.00	Vendor Installed		Cost Plus 10%
Route Assistant 2240	Petersen TR3 Route Assistant Dual Walk through 22' 40CY HDX Body Quadsticks	\$ 170,977.00	Vendor Installed		Cost Plus 10%
PalfingerM13A80	Palfinger Epsilon M13A80 Loader 32.5' Double Reach 24' BeauRoc MPHD 55 CY body	\$ 177,077.00	Vendor Installed		Cost Plus 10%
PalfingerM100L72	Palfinger Epsilon M100L72 Hydraulic Loader w/ 20' BeauRoc MPMD 27 CY dump body	\$ 161,926.00	Vendor Installed		Cost Plus 10%
PalfingerS260L130	Palfinger S260L130 Canal Maintenance Loader w22' BeauRoc MPHD 44 CY dump body	\$ 216,778.00	Vendor Installed		Cost Plus 10%

FSA23-VEH21.0 ITEM 62 T880 OPTIONS - ALL ROADS KENWORTH, LLC

Manufacturer Order Code	Description		Price	Factory Installed or Vendor Installed?	Factory MSRP Discount % (factory-installed)	Cost-Plus Markup % (vendor-installed)
<b><u>BOOM TRUCK &amp; CRANE BODIES</u></b>						
<b><u>Boom Truck / Cranes / Digger Derrick Options Below Require GVW UPGRADES</u></b>						
NBT40142	NBT40142 BOOM TRUCK	Requires 101,200 GVW Chassis	Contact for Price	Vendor Installed		Cost Plus 5%
NBT45127	NBT45127 BOOM TRUCK	Requires 78,350 GVW Chassis	Contact for Price	Vendor Installed		Cost Plus 5%
NBT45142	NBT45142 BOOM TRUCK	Requires 78,350 GVW Chassis	Contact for Price	Vendor Installed		Cost Plus 5%
NBT55L-151	NBT55L-151 BOOM TRUCK	Requires 88,000 GVW Chassis	Contact for Price	Vendor Installed		Cost Plus 5%
NBT60XL	NBT60XL BOOM TRUCK	Requires 77,000 GVW Chassis	Contact for Price	Vendor Installed		Cost Plus 5%
26101C	26101C BOOM TRUCK	Requires 60,000 GVW Chassis	Contact for Price	Vendor Installed		Cost Plus 5%
30100C	30100C BOOM TRUCK	Requires 60,000 GVW Chassis	Contact for Price	Vendor Installed		Cost Plus 5%
30102C	30102C BOOM TRUCK	Requires 60,200 GVW Chassis	Contact for Price	Vendor Installed		Cost Plus 5%
40124SHL	40124SHL BOOM TRUCK	Requires 78,350 GVW Chassis	Contact for Price	Vendor Installed		Cost Plus 5%
TC50128	TC50128 BOOM TRUCK	Requires 88,000 GVW Chassis	Contact for Price	Vendor Installed		Cost Plus 5%
TC50155	TC50155 BOOM TRUCK	Requires 88,000 GVW Chassis	Contact for Price	Vendor Installed		Cost Plus 5%
<b><u>BUCKET TRUCK &amp; DIGGER DERRICKS</u></b>						
RMX75/100	RMX75/100 BUCKET TRUCK	Requires 60,000 GVW Chassis	Contact for Price	Vendor Installed		Cost Plus 5%
GENERAL 80	GENERAL 80 DIGGER DERRICK	Requires 66,000 GVW Chassis	Contact for Price	Vendor Installed		Cost Plus 5%
TM100	TM100 BUCKET TRUCK	Requires 78,000 GVW Chassis	Contact for Price	Vendor Installed		Cost Plus 5%
TM125	TM125 BUCKET TRUCK	Requires 78,000 GVW Chassis	Contact for Price	Vendor Installed		Cost Plus 5%
<b><u>REFUSE BODIES</u></b>						
HEIL DP5000 REL	Heil DP5000 25yd REL		\$ 142,285.00	Vendor Installed		Cost Plus 10%
Heil PT	Heil PT Commercial Rear Loader 25 Cu Yd		\$ 152,295.00	Vendor Installed		Cost Plus 10%
Bayne CT	Bayne Cart Tipper each		\$ 9,516.00	Vendor Installed		Cost Plus 25%
EZ Goliath 31 REL	E-Z Pack Goliath 31yd Rear Loader		\$ 128,247.00	Vendor Installed		Cost Plus 15%
EZ Goliath 25 REL	E-Z Pack Goliath 25yd Rear Loader		\$ 120,182.00	Vendor Installed		Cost Plus 15%
EZ Apollo 25 REL	E-Z Pack Apollo 25yd Rear Loader		\$ 107,588.00	Vendor Installed		Cost Plus 15%
NEWAY REL	Neway King Cobra 25yd REL		\$ 139,508.00	Vendor Installed		Cost Plus 25%
Load REL	Loadmaster Excel S High Compaction 25yd REL		\$ 125,445.00	Vendor Installed		Cost Plus 15%
Load Enviromaster	Environmaster DT 60/40 Split Body Rear Load Refuse 25yd		\$ 201,670.00	Vendor Installed		Cost Plus 15%
AMREP REL	Amrep Hardox Rear Loader Full Push Out AMHRLTPO-25YD		\$ 137,350.00	Vendor Installed		Cost Plus 15%
Leach 2RIII REL	Leach 2R3-III 25yd Rear Load Refuse		\$ 160,777.00	Vendor Installed		Cost Plus 15%
Leach Alpha REL	Leach Alpha-III 20yd Rear Load Refuse		\$ 137,120.00	Vendor Installed		Cost Plus 15%
<b><u>Roll Off Hoist</u></b>						
GAL-AFOR174	Roll Off: Galbreath AF-0R-174 60k w/Pioneer tarp		\$ 86,658.00	Vendor Installed		Cost Plus 15%
GAL-AFOR174EX	Roll Off: Galbreath AF-0R-174 Ext Tail 60k w/Pioneer tarp		\$ 102,231.00	Vendor Installed		Cost Plus 15%
GAL-U5OR174	Roll Off: U5-0R-174 60k w/Pioneer tarp		\$ 82,708.00	Vendor Installed		Cost Plus 15%
GALFAB60	Galfab Rolloff 60K With Tarp System		\$ 79,350.00	Vendor Installed		Cost Plus 15%
GALFAB75	Galfab Rolloff 75K With Tarp System		\$ 86,825.00	Vendor Installed		Cost Plus 15%
GALFABAFEX75	Galfab Rolloff 75K EX With Tarp System		\$ 105,600.00	Vendor Installed		Cost Plus 15%
Stellar 65-174	Stellar 65-174 Hook Lift Inc Tarp System		\$ 99,720.00	Vendor Installed		Cost Plus 15%
Stellar NXT 52	Stellar NXT 52 52,000 lbs w/ tarper		\$ 91,069.00	Vendor Installed		Cost Plus 15%

FSA23-VEH21.0 ITEM 62 T880 OPTIONS - ALL ROADS KENWORTH, LLC

Manufacturer Order Code	Description	Price	Factory Installed or Vendor Installed?	Factory MSRP Discount % (factory-installed)	Cost-Plus Markup % (vendor-installed)
<b>EXTENDED WARRANTY OPTIONS:</b>					
<b>KENWORTH BASE VEHICLE EXTENDED WARRANTY</b>					
9201828	Kenworth Base Vehicle 5 Year 100K Miles	\$ 2,820.00	Factory Installed	Non Discountable - Cost	
9201830	Kenworth Base Vehicle 5 Year 300K Miles	\$ 6,250.00	Factory Installed	Non Discountable - Cost	
9201973	Kenworth Towing for Warrantable Failures 5YR UNL	\$ 2,290.00	Factory Installed	Non Discountable - Cost	
<b>CNG ENGINE EXTENDED WARRANTY</b>					
334115	Warranty: L9N PP1 5 Yr/150K	\$ 2,700.00	Factory Installed	Non Discountable - Cost	
424115	Warranty: ISX12N 5Yr/200K PP1	\$ 2,550.00	Factory Installed	Non Discountable - Cost	
<b>DIESEL ENGINE EXTENDED WARRANTY</b>					
9209689/9209116	Warranty: PX9 PP1 5Yr/100K With Aftertreatment	\$ 2,190.00	Factory Installed	Non Discountable - Cost	
9203776/9203810	Cummins Protect Plan 1 X15 5 Year/100,000 mi Inc Aftertreatment Warranty	\$ 2,340.00	Factory Installed	Non Discountable - Cost	
9203377/9209116	Cummins Protect Plan 1 X15 5 Year/200,000 mi Inc Aftertreatment Warranty	\$ 2,805.00	Factory Installed	Non Discountable - Cost	
9203844/9203810	Cummins Protect Plan1 X15 Travel/Tow 5 Year/100K mi Inc Aftertreatment Wty	\$ 3,140.00	Factory Installed	Non Discountable - Cost	
9203845/9209116	Cummins Protect Plan1 X15 Travel/Tow 5 Year/200K mi Inc Aftertreatment Wty	\$ 3,605.00	Factory Installed	Non Discountable - Cost	
9204344/9204433	MX Comprehensive Plan A 5Yr/100K mile Includes Aftertreatment Warranty	\$ 2,495.00	Factory Installed	Non Discountable - Cost	
<b>ALLISON TRANSMISSION EXTENDED WARRANTY</b>					
Allison3000NR7	Warranty- Allison 3000 RDS 7yr - Unlimited Miles Extended	\$ 1,100.00	Vendor Installed	Non Discountable - At Cost	
Allison3500NR7	Warranty- Allison 3500 RDS 7yr - Unlimited Miles Extended	\$ 1,250.00	Vendor Installed	Non Discountable - At Cost	
Allison4500NR7	Warranty- Allison 4500 RDS Non Refuse 7yr - Unlimited Miles Extended	\$ 1,567.00	Vendor Installed	Non Discountable - At Cost	
Allison45005	Warranty- Allison 4500 RDS 5yr - Unlimited Miles Extended	\$ 1,250.00	Vendor Installed	Non Discountable - At Cost	
<b>DISCOUNTS / NON SCHEDULED OPTIONS / SURCHARGES</b>					
COPPAYMNT	Chassis Only Purchase - Requires Invoice & Payment Upon Delivery to Body Company or first destination from Factory : Dealer will not hold Invoice until final delivery to Purchaser				
CPPD	Prepayment Discount Available If Chassis is Paid for when delivered to Body Company	Consult Dealer			
Discount 2.10	Dealer Discretionary Discount - Determined By Dealer as Appropriate - When Available	Consult Dealer			
Discount Multi	Multiple Truck Purchase Discounts Available - Determined By Dealer When Available	Consult Dealer			
MSRP19	19% Discount Off Current MSRP For Unspecified Factory Options Including Fees	19%	Factory Installed	MSRP Discount = 19%	
NSCB25	Non Scheduled Custom Specified Bodies are Available at Cost + up to 25% Max Mark Up Includes, Engineering, FSA Fees, Storage & Shipping Costs	25%	Vendor Installed		Cost Plus Up to 25%
NSO35	Non Scheduled Unpublished Options Available at Cost + up to 35% Max Mark Up Includes, Engineering, FSA Fees, Storage & Shipping Costs	35%	Vendor Installed		Cost Plus Up to 35%
Custom Paint	Custom Paint - Truck / Body Painted to Customers Colors Cost + 25%	25%	Vendor Installed		Cost Plus Up to 25%
MYES	Model Year or Emissions Surcharge - From Manufacturer - Pass through at cost				
Surcharge 3.06	Surcharges - Charged by Manufacturer - As Provided for in Terms & Conditions 3.06				
Delivery	Delivery Charge - applies to out of Local FSA Zone Deliveries - if required	.			
<b>TAGS</b>					
TEMP TAG	Temporary Tag	INC			
TRANSFER	Transfer tag	INC			
NEWTAG	New tag: state / city / county	At Cost			



ALL ROADS KENWORTH - FORT LAUDERDALE (A350)  
 2909 SOUTH ANDREWS AVE  
 FORT LAUDERDALE, Florida 33316

Mike Crawford  
 Cell Phone:  
 Office Phone:  
 Email: mcrawford@allroadstrucks.com

## Vehicle Summary

Model:	<b>Unit</b> T480 Series Conventional	<b>Chassis</b> Fr Axle Load (lbs):	18740
Type:	FULL TRUCK	Rr Axle Load (lbs):	46000
Description 1:	T480 TANDEM DUMP	G.C.W. (lbs):	66001
Description 2:	FSA23VEH21 Item 47		
Intended Serv.:	<b>Application</b> Construction: Vehicles used in the cons	Road Conditions: Class A (Highway)	8
Commodity:	Gravel/Crushed Rock/Sand	Class B (Hwy/Mtn)	90
		Class C (Off-Hwy)	2
		Class D (Off-Road)	0
Type:	<b>Body</b> End Dump	Maximum Grade:	6
Length (ft):	16	Wheelbase (in):	208
Height (ft):	13	Overhang (in):	60
Max Laden Weight (lbs):	4000	Fr Axle to BOC (in):	69.5
		Cab to Axle (in):	138.5
		Cab to EOF (in):	198.5
No. of Trailer Axles:	0	Overall Comb. Length (in):	308
Type:			
Length (ft):	0	<b>Special Req.</b>	
Height (ft):	0	U.S. Domestic Registry, 50-state.	
Kingpin Inset (in):	0		
Corner Radius (in):	0		
	<b>Restrictions</b>		
Length (ft):	75		
Width (in):	102		
Height (ft):	13.5		

Approved by: \_\_\_\_\_

Date: \_\_\_\_\_

Note: All sales are F.O.B. designated plant of manufacture.

Sales Code	Std/Opt	Description	\$ List	Weight
<b>Model</b>				
0000480	S	<b>T480 Series Conventional</b>	123,353	<b>10,386</b>
0071000	O	<b>T480 Aero Hood</b>	0	<b>0</b>
0080314	O	<b>EPA Clean Idle Label - PACCAR PX Engines</b>	36	<b>0</b>
0090162	O	<b>T480 Tandem</b>	0	<b>0</b>
0098440	O	<b>State of Registry: South Carolina</b>	0	<b>0</b>
<b>Engine &amp; Equipment</b>				
0130226	O	<b>PACCAR PX-9 370 370@1600 1250@1200, 2024</b> With Turbo Exhaust Brake (VGT Brake) N09420 C333 0.....Reserve Speed Limit Offset ( N09380 C334 0.....Maximum Cycle Distance (N202 N09360 C400 252...Reserve Speed Function Reset N09200 C399 120...Standard Maximum Speed Limit N09400 C401 10....Maximum Active Distance (N20 N09220 C402 0.....Expiration Distance (N207) N09540 C395 0.....Expiration Distance (N209) N09260 C121 65....Max Vehicle Speed in Top Gea N09440 C234 NO....Engine Protection Shtdwn N09460 C231 NO....Gear Down Protection N09580 C133 5.....Idle Shtdwn Time N09680 C233 NO....Idle Shtdwn Override N09480 C132 1200..Max PTO Speed N09300 C128 65....Max Cruise Control Speed N09500 C239 NO....Cruise Control Auto Resume N09520 C238 NO....Auto Engine Brake in Cruise N09780 C190 80....High Ambient Temperature Thr N09740 C188 40....Low Ambient Temperature Thre N09760 C189 60....Intermediate Ambient Tempera N09720 C382 YES...Enable Hot Ambient Automatic N09600 C396 YES...Enable Impending Shutdown Wa N09620 C397 60....Timer For Impending Shutdown N09640 C206 35....Engine Load Threshold N09560 C225 YES...Enable Idle Shutdown Park Br	8,568	<b>0</b>
1000046	O	<b>EPA Emissions Warranty Engine</b>	0	<b>0</b>
1000151	S	<b>PremierSpec</b>	0	<b>0</b>
1000243	O	<b>Gearing Analysis: Performance</b> power before economy results.	0	<b>0</b>
1000256	O	<b>Customer's Typical Operating Spd: 64 MPH</b>	0	<b>0</b>
1000524		<b>RegistrationYear</b> Year of Registration: 2024	0	<b>0</b>

Sales Code	Std/Opt	Description	\$ List	Weight
1000684		<b>Effective VSL Setting NA</b>	0	0
1000858	O	<b>Engine Idle Shutdown Timer Disabled</b>	0	0
1000859	O	<b>Enable EIST Ambient Temp Overrule</b>	0	0
1000891	O	<b>Eff EIST NA Expiration Miles</b> Use only with MX and Cummins engines	0	0
1002060	S	<b>Air Compressor: Cummins 18.7 CFM For Cummins And PACCAR PX engines.</b>	0	0
1041399	S	<b>Air Cleaner: MD Composite Engine Mounted</b>	0	0
1099080	O	<b>Pre-Cleaner Mounted in the Hood Plenum</b>	322	7
1105231	S	<b>Fan Hub: Horton On/Off for PX-9 or L9N</b>	0	0
1121231	S	<b>Cooling Module: 2.1M MD - Aero Hood</b> 1000 Square Inches	0	0
1247263	O	<b>EXH: Single Can 2024 RH Under with RH</b> Side-of-Cab Vertical Tailpipe	1,104	0
1290124	O	<b>Tailpipe: 5 in. single 24 in. 45 degree curved.</b>	154	6
1321102	S	<b>Fuel Filter: PACCAR 2.1M MD for PX-7 or PX-9</b> Fuel/water separator for 2021 and later engines.	0	0
1321200	S	<b>Run Aid:None</b> *For Fuel Filter	0	0
1321300	S	<b>Start Aid:None</b> *For Fuel Filter	0	0
1812162	O	<b>Alternator: 160 amp Brushless</b> with battery voltage sense. *This code replaced 1812160.	39	0
1821225	O	<b>Batteries: 2 PACCAR GP31 Threaded Post (1000)</b> 2000 CCA starting.	12	4
1836106	S	<b>Mitsubishi 105P55 12V Starter with Cummins and PX</b> PACCAR 12 volt electrical system. W/ centralized power distribution incorporating plug-in style relays. Circuit protection for serviceability, 12-volt light system w/circuit protection circuits number & color coded. Only for Cummins or PX engines.	0	0
1840067	O	<b>Battery Disconnect Switch Mounted on Battery Box</b> Provides One (1) Switch	395	0
1901017	O	<b>Remote PTO/Throttle, 12-Pin, Engine Bay</b> Remote Control Provision	34	0
<b>Transmission &amp; Clutch</b>				
2011613	O	<b>Transmission: Allison 3000RDS 6-speed, With PTO</b> drive gear. 6th Generation controls. Includes heat exchanger & oil level sensor. Rugged Duty Series for vocational applications. Requires a push button shift control code. Oil temperature gauge is standard on class 8 models. Transynd transmission fluid is standard on all Allison 1000, 2000, 3000 & 4000 series transmissions.	7,511	399

Sales Code	Std/Opt	Description	\$ List	Weight
2406452	O	<b>Driveline: 2 Dana SPL170XL 1 Centerbearing</b>	478	16
2409941	S	<b>One Heavy-Duty One-Piece Aluminum Crossmember</b> This option upgrades an existing crossmember. The cost does not include the centerbearing and bracket. Crossmember location will be in accordance with Kenworth engineering standards, using the major components specified on the DTPO.	0	0
2410018	O	<b>Torque Converter Included W/ Allison</b> Transmission.	0	0
2410114	O	<b>Left Hand PTO Access, Right Hand Dip Stick Tube</b> Allison 3000 series only.	42	0
2410153	O	<b>Push Button Shifter Controls, Center Console</b> Mounted for Allison Transmission. 2.1m Medium Duty only.	0	0
2410204	O	<b>Allison Fuel Sense: Delete</b>	0	0
2410244	O	<b>J1939 Park Brake Auto Neutral</b>	0	0
2410310	O	<b>Allison Neutral at Stop</b>	0	0
2429358	O	<b>Rear Transmission Support Springs for</b> transmission PTO applications are required to ensure that engine flywheel housings are not overloaded when transmission PTO's are installed.	93	0
2429378	O	<b>Customer Installed Transmission PTO in the LH</b> Mounted position (8 o'clock) for Allison 3000 & 4000 transmissions.	0	0
2460070	O	<b>Supplemental Allison Oil to Water Trans Cooler</b>	513	16
<b>Front Axle &amp; Equipment</b>				
2517020	O	<b>Meritor MFS20 Front Axle rated 20K</b> 3.5 in. drop, standard track.	2,391	150
2641137	O	<b>Front Brakes: 20K Meritor Q-Plus 16.5x6 in.</b>	129	-38
2690035	O	<b>Front Brake Drum: 22K 16.5x6 in. cast.</b>	40	104
2702020	O	<b>Front Hubs Iron Hub Pilot 20,000 lbs. 10 Bolt</b> 16.5x6in. or 7in. or air disc brakes. 10 Bolt, 11-1/4 in. bolt circle. Consider Wheelguards (5850002) with aluminum wheels.	282	80
2741970	S	<b>ConMet PreSet Plus Hub Package; Front Axle.</b>	0	0
2750001	S	<b>Hubcap: Front Vented.</b>	0	0
2765001	S	<b>Front Auto Slack Adjuster for Drum Brakes.</b>	0	0
2865025	O	<b>Front Springs: Taperleaf 20K W/ Shock Absorbers</b> w/ maintenance-free elastomer spring pin bushings.	266	99
2895305	O	<b>Dual Power Steering Gears: 18/20K</b>	1,044	75
2899336	O	<b>Power Steering Cooler:Radiator Mounted Air-to-Oil</b>	327	11



Sales Code	Std/Opt	Description	\$ List	Weight
2900064	O	80 mm Front Suspension Spacer Block	0	0
2900612	O	Threaded Front Spring Bushings in Place of elastomeric.	62	0
<b>Rear Axle &amp; Equipment</b>				
3142161	O	<b>Dual Meritor RT46-160P Rear Axle rated at 46K.</b> Tandem rear axles. With pump	11,446	2,442
3200614	O	Rear Axle Ratio - 6.14.	0	0
3354007	O	Dual Rear Brakes 16-1/2x7 in. to 46K; Meritor Q- plus-extended service S-cam.	195	16
3392005	O	Dual Rear Brake Drums: Cast. For use with 16.5X7" or 16.5X8.625" brake.	0	0
3407046	O	Longer Studs for Aluminum Wheels W/ Steel Hub pilot wheels.	20	6
3407050	O	Dual Rear Hubs: Aluminum Hub Pilot 46K; 11.25" bolt circle. Requires "R" series outer ends.	0	0
3441972	O	ConMet PreSet Plus Hub Package; Dual Rear Axle.	0	0
3465002	O	Tandem Rear Axle Automatic Slack Adjusters. For use with drum brakes.	0	0
3485209	O	Spring Brake: 3030 High Output Dual. For drum brakes.	115	0
3495227	O	Bendix 6S/6M Anti-Lock Brake System.	813	5
3500006	O	Inverted Chambers for 16-1/2 x 7 in. Brakes; Replaces standard mount w/ higher mount.	12	0
3500057	O	Interaxle Driveline: 1 Dana SPL170XL Tandem Rear Axles Only	513	96
3749209	O	<b>Rear suspension: Tandem Chalmers 854-46-H 46K.</b> 54 in. axle spacing. Unladen Height: 12.5 in. Laden Height: 10.1 in. Standard restrictor can.	7,403	534
3832026	O	Chalmers Shock Absorbers. 52K and Under suspension.	497	35
<b>Tires &amp; Wheels</b>				
4017181	O	<b>Front Tires: Michelin XZY3 385/65R22.5 18PR</b> 42.4 in. Diameter, All Position. 19.6 in. SLR.	1,156	130
4210003	O	<b>Rear Tires: Michelin X Works Z 11R24.5 16PR</b>	3,400	216
4900008	O	Rear Tire Quantity: 8	0	0
5045218	O	<b>Front Wheel: Alcoa 82462 22.5x12.25 aluminum,</b> with LM One [TM] High Polish finish, hub-pilot mount. 11000lb. maximum rating. 5.80 in. offset. Air disc brake compatible.	747	-3
5242310	O	<b>Rear Wheel: Accuride 28827 24.5x8.25 steel</b> Steel Armor[TM] powder coat, hub-pilot mount. 8000lb. maximum rating. 2-hand hole. Code is priced per pair of wheels.	384	140

Sales Code	Std/Opt	Description	\$ List	Weight
5853906	O	<b>Powder Coat White Steel Wheel. Use in Conjunction</b> with front, dual front, rear, spare or lift axle wheel code(s). All wheels on chassis must have same finish color.	0	0
5900008	O	<b>Rear Wheel/Rim Quantity: 8</b>	0	0
<b>Frame &amp; Equipment</b>				
6056400	O	<b>Frame Rails: 10-3/4 x 3-1/2 x 3/8in. Steel 285in.</b> to 336 in. Truck frame weight is 3.48 lb.-in. per pair of rails. Section modulus is 17.80, RBM is 2,132,000 in.-lbs per rail. Frame rail availability may be restricted based upon application, axle/suspension capacity, fifth wheel setting, or component/dimensional specifications. The results of the engineering review may result in a change to the requested frame rail. If a change is required Kenworth Application Engineering will advise the dealer of the appropriate material specification for a substitute rail.	583	248
6141400	O	<b>Full Steel Insert: for 10-5/8 in. or 10-3/4 in.</b> Steel 285 in. to 336 in. or 2nd insert for 11-5/8 in. steel frame. Adds 1,149,000 in.-lb to main rail RBM. Truck insert weight is 2.05 lb.-in. per pair of rails. Full frame insert length is equal to wheelbase plus rear frame cutoff plus dimension forward of front axle by model. See databook addendum section 7.2.	1,580	604
6308715	O	<b>Bumper: Aerodynamic Chrome Requires a Bumper</b> setting code.	1,094	68
6319040	S	<b>40 in. Bumper Setting. Requires a Bumper Code.</b>	0	0
6321010	S	<b>Front Tow Loops: Two</b>	0	0
6391205	O	<b>Custom Frame Layout: 5-9 Chassis</b> CFL A/T: CLEAR LH TRANSMISSION CFL C/M: CLEAR RH OUTSIDE RAIL FROM UC EXHAUST TO REAR SUSPENSION CFL A/D: INSIDE RH RAIL CFL BBX: CLEAR FRAME FROM BATTERY BOX TO REAR SUSPENSION.	200	0
6400644	O	<b>Battery Box Cantilever Aluminum BOC with Smooth</b> natural finish aluminum cover.	447	19
6409210	O	<b>Rubber Battery Pad in Bottom of Battery Box.</b> For cantilever-style or between the rails battery boxes.	12	2
6409716	O	<b>Ladder-Type Step RH under Cab Below Battery Box</b> or toolbox or DPF - SCR.	236	11
6409901	S	<b>Battery Box Location: LH Side.</b>	0	0
6451127	O	<b>DPF/SCR Box Polished End Plates and Diamond Plate</b> cover.	199	0
6490139	S	<b>Heavy-Duty One-PC Aluminum Intermediate/ Fill-In</b> crossmember.	0	0
6490434	O	<b>Heavy-Duty 5-Piece Rear Cab Support, Bolted</b> assembly. Huck fastened to frame.	0	0
6679860	O	<b>Final End-of-Frame Cut-Off Dimension Will be</b> modified to 61 in. to 65 in.	0	0
6679995	O	<b>Customer Will Install Structural End-of-Frame</b>	0	0

Sales Code	Std/Opt	Description	\$ List	Weight
		crossmember before vehicle is placed in service.		
6742009	S	<b>Square End-of-Frame W/O Crossmember; Non-Towing.</b>	0	0
<b>Fuel Tanks &amp; Equip</b>				
7140060	O	<b>60 US Gallon D-Shape Rectangular Aluminum</b> Under fuel tank, replace. With non-slip step.	108	23
7722170	S	<b>Small DEF Tank, 5.5 Gallons.</b>	0	0
7839006	O	<b>Polished Fuel Tank Steps.</b>	29	0
7839715	O	<b>Ladder-Type Step Below Fuel Tank Under Cab - LH</b> side.	221	9
7840015	O	<b>Polish Only One Aluminum Tank.</b>	142	0
7889061	O	<b>Polished Stainless Steel Tank Straps for 1 Tank.</b>	95	0
7889203	O	<b>DEF to Fuel Fill Ratio 2:1 or Greater.</b>	0	0
7889368	O	<b>Fuel Tank Drain Plug.</b>	5	0
7889606	O	<b>DEF Tank Location is LH Under Cab.</b>	0	0
7920060	O	<b>Location: 60 gal fuel tank LH under cab</b>	0	0
<b>Cab &amp; Equipment</b>				
8024311	S	<b>Cab: Stamped Aluminum with Curved Windshield</b> LED markers. Requires seperate roof code.	0	0
8090155	O	<b>Hood: Med Aero w/ Chrome Crown</b>	95	0
8108002	O	<b>Fine Particulate Filter for Cabin Air HVAC</b> system. To provide extra filtration in high dust applications. Cabin airflow is reduced with this additional filter. *Cannot be used with code 8108003.	35	0
8108011	S	<b>Cab HVAC - Day Cab and 40 in. Sleeper</b> System With Defrost, A/C, and 48,000 BTU/hr Heater. Includes automatic temperature control with one touch defrost operation and dash mounted cab temperature and solar intensity sensors. Pleated fresh air filter and cabin recirculation air filter standard. The Kenworth HVAC system is designed to provide optimal heating and cooling in all operating environments without need for additional insulation. Cab HVAC without sleeper heater AC is available with 40in sleeper.	0	0
8201047	O	<b>Kenworth Smartwheel: 18 in. Non-Leather With</b> Integrated Radio and Cruise Controls.	116	0
8201200	S	<b>Adjustable Telescoping Tilt Steering Column.</b>	0	0
8203060	O	<b>5 Sets of Keys. Replaces Standard 2 Sets of Keys.</b>	34	0
8205177	O	<b>Dash Switch:1st Allison-Mounted PTO.</b>	167	0

Sales Code	Std/Opt	Description	\$ List	Weight
		Electric switch and wiring are factory-installed to control the 1st Allison Trans mounted PTO.		
8205283	O	<b>Info for C/I PTO: Chelsea 10 Bolt</b>	0	0
8208476	O	<b>Three Spare Switches: Wired to Power. BOC Wire</b> termination.	71	0
8209999	O	<b>Spare Power Wiring For Customer Installed Devices</b> Behind Dash Cluster. Includes 2 batt, 2 ign, 1 acc, 1 LVD at 20A each.	89	2
8222402	O	<b>Gauge: DD Virtual Gauge - Trailer Reservoir</b>	74	0
8222403	O	<b>Gauge: DD Virtual Gauge - Trailer Brake Application</b>	55	0
8222409	O	<b>Gauge: DD Virtual Gauge - Air Filter Restriction</b>	0	0
8222411	O	<b>Gauge: DD Virtual Gauge - Eng Pto Hour</b>	36	0
8222413	O	<b>Gauge: DD Virtual Gauge - Manifold Pressure Boost</b>	0	0
8222414	O	<b>Gauge: DD Virtual Gauge - Engine Percent Torque</b>	0	0
8222418	O	<b>Gauge: DD Virtual Gauge - Engine Hours Instrument Cluster</b>	0	0
8222419	O	<b>Gauge: DD Virtual Gauge - Volts Instrument Cluster</b>	0	0
8282006	O	<b>Odometer Units Locked to Match Speedometer Dial.</b> Locks instrumentation to record the units of measure indicated by the primary scale. For instance, U.S. Domestic trucks would not be able to toggle from miles to kilometers on the trip odometer.	0	0
8282024	S	<b>Main Instrument Package: 7" Digital Display</b> Cluster. Includes Physical (Analog): Speedometer, Tachometer, Oil Pressure, and Coolant Temp; and Digital: Fuel Level #1, DEF Level, DPF Filter Status, Fuel Economy, Volts Telltale, OAT and Primary Air Pressure, Secondary Air Pressure, and Air Application for air brake trucks.	0	0
8282109	O	<b>Large Flat Panel on Dash For C/I Controls.</b> Replaces Storage Bucket.	11	0
8330591	S	<b>Interior Trim Package: 2.1M MD Gray Foam</b> Backing/Cloth Headliner W/Gray Sunvisor & Seat Color Three Underdash Center Console Cupholders (Two If Allison Transmission Is Selected).	0	0
8410127	O	<b>Driver Seat: KW Air Seat HB Tough Cloth w/ Dual</b> Armrests/Susp Cover	220	0
8460108	O	<b>Rider Seat: KW Air Seat HB Tough Cloth w/ Susp</b> Cover/Occupancy Sensor w/o Armrests	378	0

Sales Code	Std/Opt	Description	\$ List	Weight
8490161	O	<b>Seat Color: Black Replacing Standard Gray</b>	0	0
8496561	O	<b>Driver/ Rider Seat Belts: Lime Green Seat Belts</b> Replace standard color.	10	0
8601432	O	<b>Kenworth Radio DEA710 AM/FM/WB/USB, Bluetooth</b>	394	0
8601875	O	<b>CB Radio: Cobra 29 W/Weatherband/DI Ant</b> Transceiver/Sound Tracker/Illum Panel W/Microphone Clip Mtd On Side	525	0
8698965	O	<b>Speaker Package For Cab: (2) Speakers</b> B-Pillar	51	0
8700161	O	<b>Footwell Light: Red Lens &amp; Switch</b>	12	0
8700196	S	<b>Turn Signal: Self-Cancelling</b>	0	0
8700283	S	<b>LH and RH Trip Ledge Rain Deflectors</b>	0	0
8700501	O	<b>Metal Int Door Panel Kick Plates</b>	72	0
8700629	O	<b>Single 1" Ram Ball Dash Mounted RH Side</b> of Radio Opening	29	0
8700663	O	<b>Kenworth TruckTech+:</b> This system provides the World's Best reporting of engine and aftertreatment fault codes, as well as enhanced support for the truck owner through rapid communication of fault severity and recommended actions. This is standard on all Kenworth models with a PACCAR MX engine, Cummins X15 engine, PX engine or Natural Gas engine.	0	0
8800260	O	<b>Long Grabhandle RH Side Mounted to Side-of-Cab</b> exhaust.	31	2
8800372	O	<b>Grabhandle: LH, Exterior, Side of Cab - Ergonomic</b> Grab Handle Mounted To The Left Hand Exterior Of The Cab For Entry and Exit.	119	3
8800402	S	<b>Dual Cab Interior Grabhandles: A Pillar Mounted</b> Dash Wrap and B Pillar Mounted Grabhandles	0	0
8832113	S	<b>Kenworth Daylite Door With Standard LH/RH</b> electric door locks and LH/RH electric window controls.	0	0
8841642	O	<b>Air Horn: Dual Round 26" LH/RH Roof</b> Incl Air Horn Cover	151	0
8850139	S	<b>Look-Down, Pass. Door, Black 11x6</b>	0	0
8850841	O	<b>Mirror Shell: Dual Aero Chrome</b>	148	0
8850877	O	<b>Mirror: RH Hood Mounted Black Rectangle Convex</b>	126	0
8850878	O	<b>Mirror: LH Hood Mounted Black Rectangle Convex</b>	126	0
8860852	O	<b>Mirror: Dual KW Aero Rear View</b> Motor, heated with Integral CX.	66	0

Sales Code	Std/Opt	Description	\$ List	Weight
8871446	S	<b>Rear Cab Stationary Window 19in x 36in</b>	0	0
8890038	O	<b>3.5in x 11.5in Plastic Records Holder:Mounted On</b> Rear Cab Panel. Not available With Sleeper Or 2 Person Bench Seat.	52	0
8890101	S	<b>One-Piece Bonded-In Windshield With Curved Glass.</b> Standard.	0	0
8890135	O	<b>Exterior Stainless Steel Sunvisor.</b>	761	11
8890356	O	<b>4 1/4" Molded Wheelwell Fender Extension.</b>	225	0
8890874	O	<b>Kenworth Cab Air Suspension.</b>	133	0
8891009	O	<b>Thermal/Sound Insulation Package</b>	265	0
8891011	O	<b>Roof: Raised Profile, Stamped Aluminum w/</b> Additional Head Room & Interior Overhead Storage	160	0
<b>Lights &amp; Instruments</b>				
9010813	O	<b>Headlamps: Single Halogen Complex Reflector w/</b> Turn Indicator, Reflector and w/o DRL. Fender Mtd.	0	0
9010951	O	<b>Daytime Running Lights Located in Bumper.</b> Driven by Chassis Height.	301	3
9022137	S	<b>Marker Lights: Five, Rectangular, LED</b>	0	0
9030055	O	<b>Taillight,Stoplight:Trucklite Super 40 With 2</b> Backup lights and an LED License Plate	27	1
9058071	O	<b>Switch, Wiring, and Indicator Light for Customer</b> Installed Floodlights. 1st Set. Pigtail Routed Through Pass Thru Grommet. 10ft Jumper Harness Shipped Loose.	118	1
9059921	O	<b>Floodlight Location: Located Low - First Set</b> . This Code To Be Used With Flush-Mount (9052011) or C/I (9058071) Codes Only.	0	0
9080131	O	<b>Dual Strobe Roof Lights: Low-Profile LED Beacon</b> lights w/ overhead switch.	783	7
9090027	O	<b>Headlamps to Turn on When Wipers are Active.</b>	0	0
9090151	O	<b>Wiring:Cust. Install Trlr Elec. Brake Controller.</b> Class 8/T4 Content Includes Dash Signals: Ignition Power (20A), Ground, Stop Lamp and Electric Trailer Brake Controller Wired To EOF Junction Box. These Signals Are Located Near The NavPlus HD Area. No Need To Code For An Additional End of Frame Junction Box. EOF Junction Box Signals Are: Ground, Tail Lamp, Marker Lamp, Left Turn, Right Turn, Stop Lamp and Electric Trailer Brake Controller Wired To Dash. Medium Duty (not T4) Content Includes A MP 280 Series Connector In Dash Near Driver Door Connections With Signals: Battery Power (40A), Ground, Stop Lamp and Electric Trailer Brake Controller Wired To Chassis Connector. Medium Duty (not T4) 2 Way Deutsch Chassis Connector Located Near Back of Cab, With Signals: Ground and Electric Trailer Brake Controller Wired To Dash Connector.	159	4
9090180	O	<b>Backup Alarm: Tail Light Bracket Mounted Variable</b>	135	0

Sales Code	Std/Opt	Description	\$ List	Weight
		self-adjusting 82-102 DBA.		
9090316	O	<b>Junction Box: End of Frame</b>	239	1
9090849	O	<b>Polyswitches Replacing Fuses. Switch Will</b> automatically reset after removal of excess load.	43	0
<b>Air Equipment</b>				
9101219	O	<b>Air Dryer: Bendix AD-HF Extended Purge Heated</b> With Puraguard	31	0
9108001	S	<b>Moisture Ejection Valve W/ Pull Cable Drain.</b>	0	0
9110020	O	<b>Full Truck Kit</b> Gladhands mounted at end-of-frame. Seven-way female receptacle mounted at end-of-frame in taillamp bracket. Kit includes dash mounted trailer air supply valve, trailer hand control valve, and hoses/fittings for the valves. Dash mounted parking brake valve, tractor protection valve, and spring brake inversion/relay valves are standard.	938	15
9140020	S	<b>Nylon Air Tubing in Frame &amp; Cab, Excluding Hoses</b> subject to excessive heat or flexing.	0	0
9140200	O	<b>Delete Trailer Hand Valve. Must Code for Tractor</b> kit.	-33	0
9140254	O	<b>Locate Air Dryer Inside RH Rail BOC.</b> This code requires the use of a custom frame layout code.	0	0
9140286	O	<b>Air Tanks: Clear of Left Side of Transmission</b> area. This code requires the use of a custom frame layout code.	0	0
9140328	O	<b>Trailer ABS Electric Supply Through SAE J560</b> 7-pin connector per TMC RP137).	0	0
<b>Extended Warranty</b>				
9200008	S	<b>Base Warranty - PACCAR PX-9 Engine</b> 24 months / 250,000 miles / 402,336 km / 6250 hours.	0	0
9200022	O	<b>Base Warranty - Standard Service Medium Duty</b> 12 months / Unlimited miles & km	0	0
9201828	O	<b>EW: US Basic Vehicle 5 year/100,000 miles,</b> United States only.	1,150	0
9203034	O	<b>PACCAR EW: PX-9 Protect Plan 1 EPA24</b> 5YR/100K (160,935KM). Each code registered between 366 and 546 days after the vehicles in-service date will be subject to a \$400 late fee. Coverage cannot be added after 200K MI or 545 days past the in-service date.	1,720	0
9203046	O	<b>PACCAR EW: Aftertreatment PX-9 Use W/ PP1 EPA24</b> 5YR/100K (160,935KM). Each code registered between 366 and 546 days after the vehicles in-service date will be subject to a \$400 late fee. Coverage cannot be added after 200K MI or 545 days past the in-service date.	920	0
9212661	O	<b>TruckTech+ RD - 5YR Sub PACCAR PX Engines</b>	799	0
9220001	O	<b>Base Warranty: Emissions</b> 5YR/100K MI - EPA Engine	0	0

Sales Code	Std/Opt	Description	\$ List	Weight
<b>Miscellaneous</b>				
9409852	O	<b>GHG Secondary Manufacturer: Does Not Apply</b>	0	0
9490003	O	<b>Additional Lead Time Required for Off Highway &amp; /or specialty component truck.</b>	0	0
9490206	O	<b>Warning Triangle Reflector Kit: Shipped Loose.</b> Kit consists of 3 triangles in plastic carrying case. Not floor mounted.	58	4
9490404	O	<b>One 5 lb. Dry Chemical Type Fire Extinguisher</b> mounted outboard of driver seat. Class ABC.	126	11
9491659	S	<b>VMUX Architecture</b>	0	0
<b>Promotions</b>				
<b>Paint</b>				
9700000	O	<b>Paint Color Number(s).</b>  N9702 A - L0006 WHITE N9720 FRAME N0001 BLACK	0	0
9943004	S	<b>Bumper Unpainted</b>	0	0
9943048	O	<b>Day Cab Bulk Paint</b>	0	0
9943050	S	<b>Day Cab Standard Paint</b>	0	0
9944820	S	<b>1 - Color Paint - Day Cab</b> Color will be White if no other color is specified.	0	0
9965510	S	<b>Base Coat/ Clear Coat.</b> The Kenworth Color Selector contains additional instructions, as well as information on Kenworth paint guidelines and surface finish applications. Kenworth is standard with Dupont Imron Elite paint.	0	0

### Special Requirements

- Special Requirement 1 0098025
- Special Requirement 2
- Special Requirement 3
- Special Requirement 4

### Order Comments





<b>Total List Price (W/O Freight &amp; Warranty &amp; Surcharges )</b>	\$186,609
<b>Marketing and Service Support Fee</b>	\$1,395
<b>Prepaid Freight</b>	\$3,625
<b>Total Surcharge/Options Not Subject To Discount</b>	\$4,589
<b>Total Weight</b>	15,981

## **Prices and Specifications Subject to Change Without Notice.**

---

Unpublished options may require review/approval.

Dimensional and performance data for unpublished options may vary from that displayed in CRM.

---

### ***PRICING DISCLAIMER***

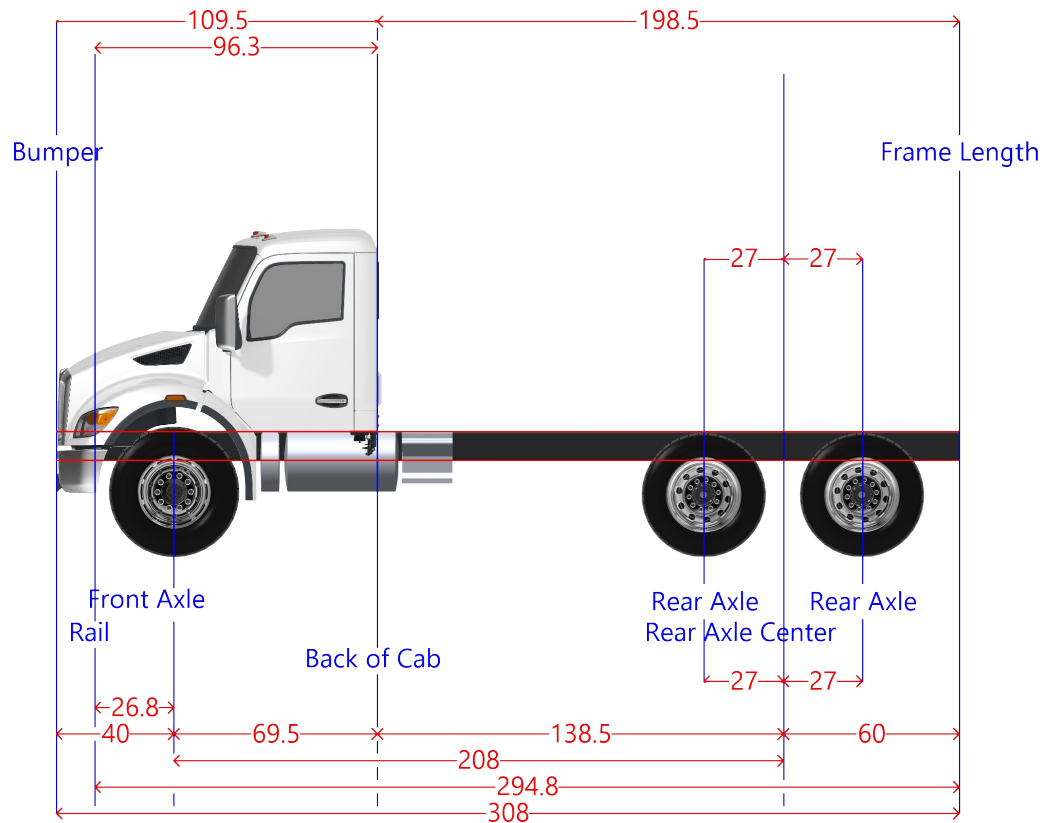
*While we make every effort to maintain the web site to preserve pricing accuracy, prices are subject to change without notice. Although the information in this price list is presented in good faith and believed to be correct at the time of printing, we make no representations or warranties as to the completeness or accuracy of this information. We reserve the right to change, delete or otherwise modify the pricing information which is represented herein without any prior notice. We carefully check pricing specifications, but occasionally errors can occur, therefore we reserve the right to change such prices without notice. We disclaim all liability for any errors or omissions in the materials. In no event will we be responsible for any damages of any nature whatsoever from the reliance upon information from these materials. Please check your order prebills to confirm your pricing information*

**Shipping Destinations**

Intermediate Destination: NONE

Final Destinations	Quantity
TBEI OX Bodies 719 Columbus Street East Fayette, Alabama 35555	8

## HORIZONTAL DIMENSIONS



Dimension	Measurement	Start	End
Axle Spacing	54	181	235
Bumper to Back of Cab	109.5	-40	69.5
Bumper to Front Axle	40.0	-40	0
Bumper to Front Frame	13.2	-40	-26.8
Cab to End of Frame	198.5	69.5	268
Cab to Rear Axle	138.5	69.5	208
Effective Bumper to Back Of Cab	109.5	-40	69.5
Frame Length	294.8	-26.8	268
Front Axle to Back of Cab	69.5	0	69.5
Front of Frame to Axle	26.8	-26.8	0
Load Space	198.5	69.5	268
Overall Length	308.0	-40	268
Overhang	60.0	208	268
Pusher Offset #1	27.0	181	208
Pusher Offset #2	27.0	181	208
Pusher Offset #3	27.0	181	208
Tag Offset	27.0	208	235
Wheelbase	208	0	208

## VEHICLE WEIGHT RATING

### FRONT AXLE COMPONENTS

Component	Sales Code	Description	Ratings
<b>Axle</b>	2517020	Meritor MFS20 Front Axle rated 20K	20,000
<b>Springs</b>	2865025	Front Springs: Taperleaf 20K W/ Shock Absorbers	20,000
<b>Power Steering</b>	2895305	Dual Power Steering Gears: 18/20K	20,000
<b>Hubs, Drums</b>	2702020	Front Hubs Iron Hub Pilot 20,000 lbs. 10 Bolt	20,000
<b>Brakes</b>	2641137	Front Brakes: 20K Meritor Q-Plus 16.5x6 in.	20,000
<b>Tires</b>	4017181	Front Tires: Michelin XZY3 385/65R22.5 18PR	18,740
<b>Wheels</b>	5045218	Front Wheel: Alcoa 82462 22.5x12.25 aluminum,	24,600
		Requested Front (Lbs):	18,740
		Minimum:	8,000
		Maximum:	18,740

The front axle weight rating cannot exceed 18740

### REAR AXLE COMPONENTS

Component	Sales Code	Description	Ratings
<b>Axle</b>	3142161	Dual Meritor RT46-160P Rear Axle rated at 46K.	46,000
<b>Hubs, Drums</b>	3407050	Dual Rear Hubs: Aluminum Hub Pilot 46K;	46,000
<b>Service Brakes</b>	3354007	Dual Rear Brakes 16-1/2x7 in. to 46K;	46,000
<b>Spring Brakes</b>	3485209	Spring Brake: 3030 High Output Dual.	52,000
<b>Suspension</b>	3749209	Rear suspension: Tandem Chalmers 854-46-H 46K.	46,000
<b>Tires</b>	4210003	Rear Tires: Michelin X Works Z 11R24.5 16PR	52,880
<b>Wheels</b>	5242310	Rear Wheel: Accuride 28827 24.5x8.25 steel	64,000
		Requested Rear (Lbs):	46,000
		Minimum:	16,000
		Maximum:	46,000

The rear axle weight rating cannot exceed 46000

### GROSS COMBINATION WEIGHT RATING

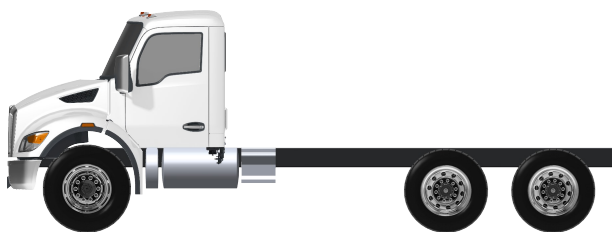
<b>GCWR (lbs)</b>	66,001
<b>Min</b>	64,741
<b>Max</b>	999,000

**The Gross Combination Weight Rating cannot exceed 999000**

## WEIGHT DISTRIBUTION

Model: T480

Actual performance of a specific unit can be affected by your operating conditions. The performance calculations should only be used as a guideline.



Recommended payload center of gravity to achieve specified ground loads; measured from centerline of drive axles: 44 in. from the centerline of the drive axle(s).

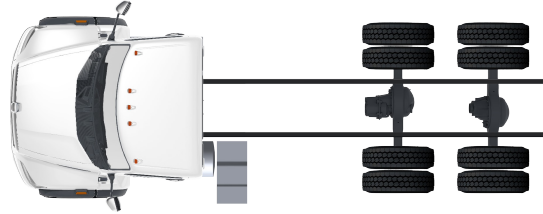
Weight (lbs)	Front	Rear	Total
Chassis	7928	8053	15981
Tools/Driver	263	112	375
Fuel & DEF	356	127	483
Max Payload	10193	37708	47901
Auxiliary Payload	0	0	0
Total	18740	46000	64740
Specify Ground Load	18740	46000	

### Auxiliary Payload

Item	Location from FA CL	Weight	Point Description
Load Point #1	0	0	
Load Point #2	0	0	
Load Point #3	0	0	
Component(s)	-	0	Composite Totals

Fifth wheel slide length is 0 inches  
 Selected rearmost setting is 0 inches  
 Wheelbase measurement: 208 inches  
 Overhang measurement: 60 inches

## FRAME LAYOUT



**Note:** Optional content may be displayed. The order has not yet received an engineering review. The actual arrangement of components may not be exactly as pictured. Additional changes may be made to the layout by Kenworth. Add a Custom Frame Layout code if an exact layout is required.

**Selected Options** (Wheelbase: 208)

Sales Code	Description	Length	Side
7140060	60 US Gallon D-Shape Rectangular Aluminum Under	39.1	Left
7722170	Small DEF Tank, 5.5 Gallons.	6.6	Left
6400644	Battery Box Cantilever Aluminum BOC with Smooth	18.2	Left

