



City of Hollywood
Procurement Services

Otis Thomas, Interim Director/Chief Procurement Officer
2600 Hollywood Boulevard, Hollywood, FL 33020

[AUTOCAR TRUCK] RESPONSE DOCUMENT REPORT

IFB No. IFB-256-25-JJ

Ottawa Yard Dog Spotter

RESPONSE DEADLINE: December 19, 2024 at 3:00 pm

Report Generated: Wednesday, January 8, 2025

Autocar Truck Response

CONTACT INFORMATION

Company:

Autocar Truck

Email:

hbenn@autocartruck.com

Contact:

Hunter Benn

Address:

551 S Washington St
Hagerstown, IN 47346

Phone:

(765) 312-2437

Website:

www.autocartruck.com

Submission Date:

Dec 9, 2024 10:30 AM (Eastern Time)

ADDENDA CONFIRMATION

No addenda issued

QUESTIONNAIRE

1. VENDOR REFERENCE FORM*

Please download the below documents, complete, and upload.

- [Vendor Reference Form.pdf](#)

ACTT-Always_Up.pdf

Autocar-ACTT.pdf

ACTT_4x2_DOT_Specs.pdf

2. HOLD HARMLESS AND INDEMNITY CLAUSE*

I, an authorized representative, the contractor, shall indemnify, defend and hold harmless the City of Hollywood, its elected and appointed officials, employees and agents for any and all suits, actions, legal or administrative proceedings, claims, damage, liabilities, interest, attorney's fees, costs of any kind whether arising prior to the start of activities or following the completion or acceptance and in any manner directly or indirectly caused, occasioned or contributed to in whole or in part by reason of any act, error or omission, fault or negligence whether active or passive by the contractor, or anyone acting under its direction, control, or on its behalf in connection with or incident to its performance of the contract.

Confirmed

3. NON-COLLUSION STATEMENT*

I, being first duly sworn, depose that:

- A. He/she is an authorized representative of the Company, the Proposer that has submitted the attached Proposal.

- B. He/she has been fully informed regarding the preparation and contents of the attached Proposal and of all pertinent circumstances regarding such Proposal;
- C. Such Proposal is genuine and is not a collusion or sham Proposal;
- D. Neither the said Proposer nor any of its officers, partners, owners, agents, representatives, employees or parties in interest, including this affiant has in any way colluded, conspired, connived or agreed, directly or indirectly with any other Proposer, firm or person to submit a collusive or sham Proposal in connection with the contractor for which the attached Proposal has been submitted or to refrain from bidding in connection with such contract, or has in any manner, directly or indirectly, sought by agreement or collusion or communication or conference with any other Proposer, firm or person to fix the price or prices, profit or cost element of the Proposal price or the Proposal price of any other Proposer, or to secure an advantage against the City of Hollywood or any person interested in the proposed Contract; and
- E. The price or prices quoted in the attached Proposal are fair and proper and are not tainted by any collusion, conspiracy, connivance or unlawful agreement on the part of the Proposer or any of its agents, representatives, owners, employees, or parties in interest, including this affiant.

Confirmed

4. CERTIFICATIONS REGARDING DEBARMENT, SUSPENSION AND OTHER RESPONSIBILITY MATTERS*

The applicant certifies that it and its principals:

- A. Are not presently debarred, suspended, proposed for debarment, declared ineligible, sentenced to a denial of Federal benefits by a State or Federal court, or voluntarily excluded from covered transactions by any Federal department or agency;
- B. Have not within a three-year period preceding this application been convicted of or had a civil judgment rendered against them for commission of fraud or a criminal offense in connection with obtaining, attempting to obtain, or performing a public (Federal, State, or local) transaction or contract under a public transaction, violation of Federal or State antitrust statutes or commission of embezzlement, theft, forgery, bribery, falsification or destruction of records, making false statements, or receiving stolen property;
- C. Are not presently indicted for or otherwise criminally or civilly charged by a governmental entity (Federal, State, or local) with commission of any of the offenses enumerated in paragraph (b) of this certification; and

- D. Have not within a three-year period preceding this application had one or more public transactions (Federal, State, or local) terminated for cause or default.

Confirmed

5. DRUG-FREE WORKPLACE PROGRAM*

- A. IDENTICAL TIE PROPOSALS - Preference shall be given to businesses with drug-free workplace programs. Whenever two or more bids which are equal with respect to price, quality, and service are received by the State or by any political subdivision for the procurement of commodities or contractual services, a bid received from a business that certifies that it has implemented a drug-free workplace program shall be given preference in the award process. Established procedures for processing tie proposals will be followed if none of the tied vendors have a drug-free workplace program. In order to have a drug-free workplace program, a business shall:
 1. Publish a statement notifying employees that the unlawful manufacture, distribution, dispensing, possession, or use of a controlled substance is prohibited in the workplace and specifying the actions that will be taken against employees for violations of such prohibition.
 2. Inform employees about the dangers of drug abuse in the workplace, the business's policy of maintaining a drug-free workplace, any available drug counseling, rehabilitation, and employee assistance programs, and the penalties that may be imposed upon employees for drug abuse violations.
 3. Give each employee engaged in providing the commodities or contractual services that are under bid a copy of the statement specified in subsection (1).
 4. In the statement specified in subsection (1), notify the employee that, as a condition of working on the commodities or contractual services that are under bid, the employee will abide by the terms of the statement and will notify the employer of any conviction of, or plea of guilty or nolo contendere to, any violation of chapter 893 or of any controlled substance law of the United States or any state, for a violation occurring in the workplace no later than five (5) days after such conviction.
 5. Impose a sanction on, or require the satisfactory participation in a drug abuse assistance or rehabilitation program (if such is available in the employee's community) by, any employee who is so convicted.
 6. Make a good faith effort to continue to maintain a drug-free workplace through implementation of these requirements.

As the person authorized to sign the statement, I certify that this firm complies fully with the above requirements.

Confirmed

6. SOLICITATION, GIVING, AND ACCEPTANCE OF GIFTS POLICY *

Florida Statute 112.313 prohibits the solicitation or acceptance of Gifts. “No Public officer, employee of an agency, local government attorney, or candidate for nomination or election shall solicit or accept anything of value to the recipient, including a gift, loan, reward, promise of future employment, favor, or service, based upon any understanding that the vote, official action, or judgment of the public officer, employee, local government attorney, or candidate would be influenced thereby.” The term “public officer” includes “any person elected or appointed to hold office in any agency, including any person serving on an advisory body.”

The City of Hollywood/Hollywood CRA policy prohibits all public officers, elected or appointed, all employees, and their families from accepting any gifts of any value, either directly or indirectly, from any contractor, vendor, consultant, or business with whom the City/CRA does business.

The State of Florida definition of “gifts” includes the following:

- Real property or its use,
- Tangible or intangible personal property, or its use,
- A preferential rate or terms on a debt, loan, goods, or services,
- Forgiveness of indebtedness,
- Transportation, lodging, or parking,
- Food or beverage,
- Membership dues,
- Entrance fees, admission fees, or tickets to events, performances, or facilities,
- Plants, flowers or floral arrangements
- Services provided by persons pursuant to a professional license or certificate.

- Other personal services for which a fee is normally charged by the person providing the services.
- Any other similar service or thing having an attributable value not already provided for in this section.

Any contractor, vendor, consultant, or business found to have given a gift to a public officer or employee, or his/her family, will be subject to dismissal or revocation of contract.

As the person authorized to sign the statement, I certify that this firm will comply fully with this policy.

Confirmed

7. Certificate of Insurance*

See requirements in the [#SPECIAL TERM AND CONDITIONS](#) section.

Autocar_-_Insurance.pdf

8. PROOF OF SUNBIZ REGISTRATION*

Enter company FEIN to be verified in Sunbiz

n/a

[Click to Verify](#) *Value will be copied to clipboard*

9. ACKNOWLEDGMENT AND SIGNATURE PAGE

IF CORPORATION - DATE INCORPORATED/ORGANIZED:*

2001

STATE INCORPORATED/ORGANIZED:*

IN

REMITTANCE ADDRESS*

551 S Washington St, Hagerstown, IN 47346

BIDDER/PROPOSER'S AUTHORIZED REPRESENTATIVE'S TYPED FULL NAME*
Hunter Benn

IT IS HEREBY CERTIFIED AND AFFIRMED THAT THE BIDDER/PROPOSER CERTIFIES ACCEPTANCE OF THE TERMS, CONDITIONS, SPECIFICATIONS, ATTACHMENTS AND ANY ADDENDA. THE BIDDER/PROPOSER SHALL ACCEPT ANY AWARDS MADE AS A RESULT OF THIS SOLICITATION. BIDDER/PROPOSER FURTHER AGREES THAT PRICES QUOTED WILL REMAIN FIXED FOR THE PERIOD OF TIME STATED IN THE SOLICITATION.*

Confirmed

THE EXECUTION OF THIS FORM CONSTITUTES THE UNEQUIVOCAL OFFER OF BIDDER/PROPOSER TO BE BOUND BY THE TERMS OF ITS PROPOSAL. FAILURE TO SIGN THIS SOLICITATION WHERE INDICATED BY AN AUTHORIZED REPRESENTATIVE SHALL RENDER THE BID/PROPOSAL NON-RESPONSIVE. THE CITY MAY, HOWEVER, IN ITS SOLE DISCRETION, ACCEPT ANY BID/PROPOSAL THAT INCLUDES AN EXECUTED DOCUMENT WHICH UNEQUIVOCALLY BINDS THE BIDDER/PROPOSER TO THE TERMS OF ITS OFFER.*

Confirmed

BID FORM*

Please download the below documents, complete, and upload.

- [Bid Form MASTER.docx](#)

Bid_Form_MASTER_(1).docx

10. SWORN STATEMENT PURSUANT TO SECTION 287.133 (3) (a) FLORIDA STATUTES ON PUBLIC ENTITY CRIMES

THIS FORM STATEMENT IS SUBMITTED TO THE CITY OF HOLLYWOOD BY:*

(Print individual's name and title) (Print name of entity submitting sworn statement)

Hunter Benn

SWORN STATEMENT CONTINUATION:*

Enter business address:

551 S Washington St, Hagerstown, IN 47346

SWORN STATEMENT CONTINUATION:*

Enter Federal Employer Identification Number (FEIN) is:

If the entity has no FEIN, include the Social Security Number of the individual signing this sworn statement.

36-4429858

SWORN STATEMENT CONTINUATION:*

I understand that “convicted” or “conviction” as defined in Paragraph 287.133(1)(b), Florida Statutes, means a finding of guilt or a conviction of a public entity crime, with or without an adjudication of guilt, in an federal or state trial court of record relating to charges brought by indictment or information after July 1, 1989, as a result of a jury verdict, nonjury trial, or entry of a plea of guilty or nolo contendere.

Hunter Benn

SWORN STATEMENT CONTINUATION:*

I understand that “Affiliate,” as defined in paragraph 287.133(1)(a), Florida Statutes, means:

1. A predecessor or successor of a person convicted of a public entity crime, or
2. An entity under the control of any natural person who is active in the management of the entity and who has been convicted of a public entity crime. The term “affiliate” includes those officers, directors, executives, partners, shareholders, employees,

members, and agents who are active in the management of an affiliate. The ownership by one person of shares constituting a controlling interest in another person, or a pooling of equipment or income among persons when not for fair market value under an arm's length agreement, shall be a prima facie case that one person controls another person. A person who knowingly enters into a joint venture with a person who has been convicted of a public entity crime in Florida during the preceding 36 months shall be considered an affiliate.

Confirmed

SWORN STATEMENT CONTINUATION:*

I understand that "person," as defined in Paragraph 287.133(1)(e), Florida Statutes, means any natural person or any entity organized under the laws of any state or of the United States with the legal power to enter into a binding contract and which bids or applies to bid on contracts let by a public entity, or which otherwise transacts or applies to transact business with a public entity.

The term "person" includes those officers, executives, partners, shareholders, employees, members, and agents who are active in management of an entity

Confirmed

SWORN STATEMENT CONTINUATION:*

Based on information and belief, the statement which I have marked below is true in relation to the entity submitting this sworn statement. (Please indicate which statement applies.)

Division of Administrative Hearings, determined that it was not in the public interest to place the entity submitting this sworn statement on the convicted vendor list. (attach a copy of the Final Order).

Neither the entity submitting sworn statement, nor any of its officers, director, executives, partners, shareholders, employees, members, or agents who are active in the management of the entity, nor any affiliate of the entity has been charged with and convicted of a public entity crime subsequent to July 1, 1989.

SWORN STATEMENT CONFIRMATION*

I UNDERSTAND THAT THE SUBMISSION OF THIS FORM TO THE CONTRACTING OFFICER FOR THE PUBLIC ENTITY IDENTIFIED IN PARAGRAPH 1 (ONE) ABOVE IS FOR THAT PUBLIC ENTITY ONLY AND THAT THIS FORM IS VALID THROUGH DECEMBER 31 OF THE CALENDAR YEAR IN WHICH IT IS FILED. I ALSO UNDERSTAND THAT I AM REQUIRED TO INFORM THAT PUBLIC ENTITY PRIOR TO ENTERING INTO A CONTRACT IN EXCESS OF THE THRESHOLD AMOUNT PROVIDED IN SECTION 287.017 FLORIDA STATUTES FOR A CATEGORY TWO OF ANY CHANGE IN THE INFORMATION CONTAINED IN THIS FORM.

Confirmed

PRICE TABLES

Line Item	Description	Quantity	Unit of Measure	Unit Cost	Total
1	Kalmar Ottawa T2	1	Lump Sum	\$129,997.00	\$129,997.00
2	Delivery/Freight Fee	1	Lump Sum	\$7,850.00	\$7,850.00
TOTAL					\$137,847.00



The ACTT[®] has been the best tool for moving trailers and containers. It focuses on three areas that deliver the best Terminal Tractor: *driver awareness, productivity and uptime*. These principles continue to guide the design for all AUTOCAR[®] trucks and make the difference between a good work truck and a great work truck.



Expert technicians available to answer your questions and 24/7 Direct Factory Support for the life of your truck.

E-coated **all-steel**, full cab immersion **rust prevention** coating and electric over hydraulic cab tilt.

Industry leading **360°** visibility with optional **Autocar high-impact glass** to mitigate gladhand impact damage.

Built on the most **durable all-steel frame**, chassis and cab combination

5-inch 80,000 lb. capacity, upper & lower spherical bushings

Autocar Telematics is built to focus on safety and real-time guide to track your fleet, drivers and performance. See all faults and data – on any device.

Offered in **Diesel**, **CNG** and **Electric** powertrain options

For maximum uptime and limited down time, the ACTT is built by utilizing industry standard parts and components for ease and maintenance.



MERITOR



Allison
Transmission



SHEPPARD

Learn more at AutocarTruck.com/ACTT or call 844.723.9100

Industry Leading Design, Performance & Support



#1 For Customer Support & Training

- Free factory-direct troubleshooting and support for the life of the truck
- Rapid 24/7 assistance nationwide
- Merged reality from any phone or tablet
- No tech? No problem. We'll coordinate any repair on your behalf
- Free online service training available

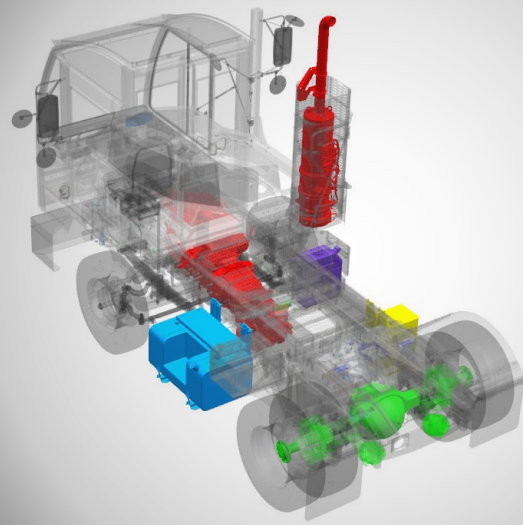
Industry Best Ergonomics

- Most overall cab space, cab width and cab depth to accommodate more drivers
- Tallest and widest door openings for improved ingress/egress
- Blended HVAC enables custom temperature settings for unmatched comfort



Committed To Driver Awareness

- Best in class windshield height for superior visibility
- Most glass surface area for fewer blind spots
- All-steel cab for enhanced operator safety
- Industry leading safety technology



Designed For Your Business

- Custom-engineered to your unique specifications
- Alternative fuels available
- Telematics to monitor engine, transmission and vehicle faults codes in real-time to maximize fleet performance

Autocar[®] ACTT[®]

Terminal Tractor



Autocar Trucks

When you buy an Autocar truck, you don't just get a truck; you get a whole company. That means direct access to an Autocar team that is dedicated to making you successful. From the expert technicians at Autocar Solutions® to unlimited access to training, hundreds of service locations nationwide, and a rapid-response parts team, Autocar will support you for the life of your truck.

24/7 Direct Factory Support

The Autocar Solutions service command center is staffed by expert technicians available to answer your questions and stick with you until your issue is solved.

Live Online Training

Autocar offers free live training courses that work with your schedule. Visit autocartruck.com/training to browse our catalog to create the curriculum your team needs.

Finding Parts - Made Easy

Autocar offers complete OEM genuine and "All Makes" products from over 1,000 suppliers – in stock and ready to ship. Use our VIN-specific online catalog to find the full part offering for your truck.

Resources When You Need Them

There is no need to outsource service when you can easily access the resources you need. Log in, and search by VIN to download wiring diagrams, air schematics, manuals, and more.



Autocar Terminal Tractor

Leave the heavy lifting to the Autocar terminal tractor – a purpose-built, custom-engineered solution that provides superior visibility, durability, and flexibility. It is designed with strength, driver awareness, and productivity in mind—the only terminal tractor with Always Up®.

360° Visibility

Best-in-class windshield height and glass surface area for fewer blind spots with industry-leading safety technology

Custom-Engineered

Application focused and designed to your unique specifications with diesel, natural gas, and electric powertrain options

Driver Safety

Strategically positioned grab handles, extra-large aggressive foot grips, and plenty of exterior light options to increase nighttime visibility



All-Steel Cab

100% welded steel with E-coating creates the most heavy-duty, long-lasting frame, cab, and bumper combination available

Autocar Telematics

Monitor engine, transmission, and vehicle faults codes in real-time to maximize fleet performance

Driver Ergonomics

Exclusive four-point premium cab air suspension, which works in combination with 14K heavy-duty spring and gas shocks to protect operators from neck and back discomfort

Custom-Engineered with Safety in Mind

Safety is one of the most important attributes of a vehicle. Autocar has raised the bar with thoughtful and innovative safety features.

Auto Spotlight

Rear-facing spotlights that come on automatically when the truck is in reverse, ensuring the backing area is always illuminated, and the driver is operating safely and efficiently

Customer Concern

Concern over bright rear-facing LED lights distracting other drivers on public roads

Autocar Solution

Removed dash switch, tied light function to shift behavior. Lights on in reverse, off when hit 4 mph



Quick Air System

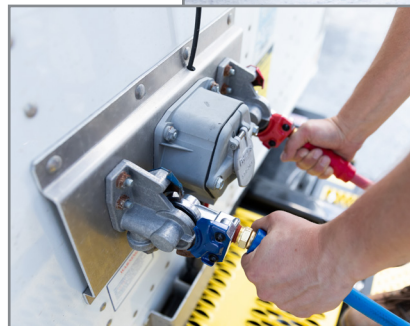
Unique air system designed to fill trailer brakes faster

Customer Concern

Operators flat-spotting tires, pulling away with a trailer before the trailer brakes are released

Autocar Solution

System supplies air to the trailer at double the normal rate, enabling the trailer brakes to release 2x faster



Auto Park

Roll-away prevention system that automatically applies parking brake if potential roll-away is detected

Customer Concern

Operators getting out of the cab without setting the parking brake

Autocar Solution

System warns and notifies if the operator is not in their seat and/or has not fastened their seatbelt. If either hasn't occurred, Auto Park sets the parking brake

Regen Enforcement

System provides additional notifications and alarms to alert an operator when a manual regen is required

Customer Concern

Operators ignoring regen lights, causing downtime and maintenance expense

Autocar Solution

Buzzer notification sounds and exterior light turns on to discourage driving through warning lights when regen is to be performed



Boom Height Sensor

System notifies operator when the 5th wheel or boom has been lifted to the proper height

Customer Concern

Operators driving with boom's too low and shear off the landing gear

Autocar Solution

Sensor system indicates when boom is at proper height and can disable shifting and speed until then

Dual Speed

Gives the driver the capability to switch from highway mode (33 or 45mph) to spotter mode (15mph, or other) by flipping a switch in the dash, allowing the truck to reconfigure to the safest settings for each drive mode automatically

Customer Concern

DOT trucks need to go on the road but have a low (15mph) yard speed limit for safety

Autocar Solution

Enables drivers to switch between spotter and highway mode, using the strobe indicator to operate at safe speeds in the yard and operate at higher speeds on the road



Collision Mitigation

Active Collision Mitigation monitors the vehicle's path of travel and warns the operator if a collision is imminent

Customer Concern

Hectic truck yard and terminal environments with 3rd party operators on the property

Autocar Solution

It will actively apply the brakes and control the engine to mitigate a collision



Figure 1.5 WABCO Maintenance Manual

Industry's Best Working Cab

Visibility, comfort, and durability make the ACTT the preferred terminal tractor on the market. It is designed with a focus on driver comfort and maneuverability.

360-Degree Visibility

Reduces blind-spots with the largest-in-class front curved windshield and complete rear window package with optional high-impact glass to mitigate gladhand damage



Leading Driver Comfort

Largest-in-cab operating room for comfort and functionality, high-performance HVAC system, customizable fan options, and standard open and closing windows on both sides of the cab

Best-in-Class Cab Ingress/Egress

The tallest cab in the industry large enough for operators 6'3" to move in and out without ducking, as well as strategically positioned grab handles to ensure three points of contact at all times



Extra-Large Foot Grips

Aggressive grip strut decking (available on all possible walking surfaces) maintains operator contact and standard staircase avoids dirt buildup

The Yard "Tank" of the Industry

The all-steel cab frame, bumper, and chassis combination provides maximum durability even in the harshest environments and prolongs the life of your terminal tractor (80K-130K GCWR).

Durable Steel Cab

100% steel cab immersed in premium E-coating to resist corrosion and reduce the frequency of repairs, in addition to bonded glass windows for protection against water intrusion



Heavy-Duty Bumper

Protects driver, cab, and chassis in the event of a collision. Comes standard and is available with severe service options

Rugged Guard Protection

Heavy-duty steel protector and robust structure shields components of aftertreatment and emission systems to decrease downtime

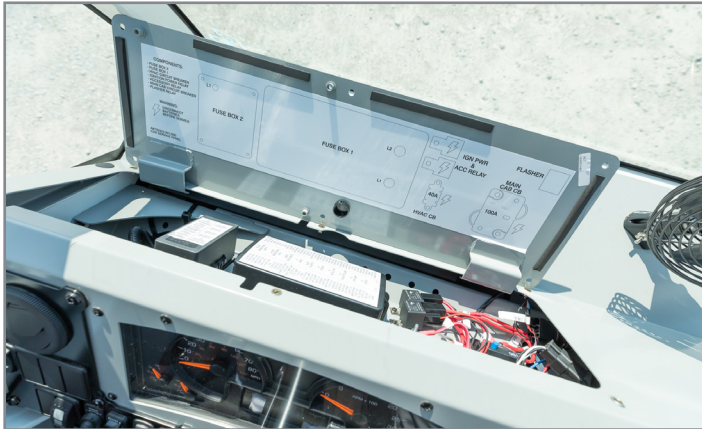


5" Lift Cylinders

Standard severe-duty lift cylinders that have a capacity of 80K (far above industry standard). Cylinders are mounted with the rods pushing up, which reduces wear and fatigue on hydraulic hoses

Built with Maintenance in Mind

Each truck is custom-engineered for maximum uptime, limited downtime, and to keep your business moving.



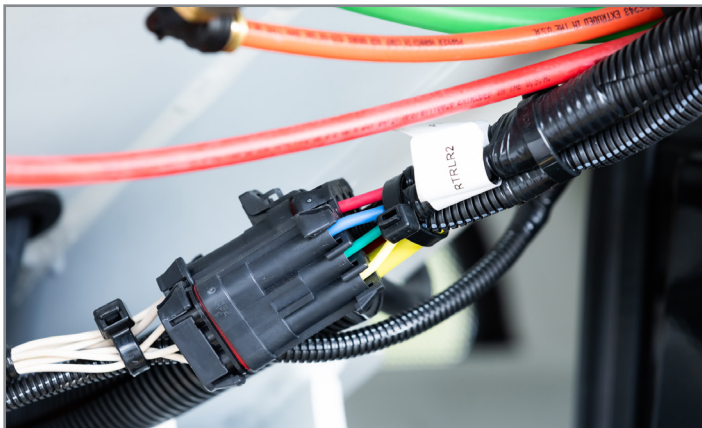
Top-of-Cab Fuse Box

Built for easy accessibility, maintenance, and serviceability



Easy-Access Pre-Trip Checkpoints

Conveniently located near the left-hand access steps, and can be performed without tilting the cab



Modular Harnesses

Modular harnesses and color-coded wires allow for fast-identification, troubleshooting, and part replacement



Protected DEF Tank

Steel housing protection to shield tank from contaminants and accidental damage

Smart Dash Display

Autocar's Smart Display is engineered to reinforce driver focus and expedite problem-solving for technicians. Drivers have different mode options to select their preferred level of information to minimize distraction.



Vehicle Health

At startup, a vehicle health screen automatically alerts drivers to critical vehicle readings, including coolant level, DEF level, and DPF soot level

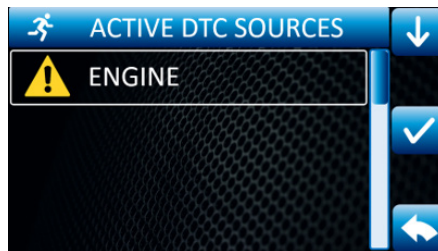


Customized Display

Cluster display is customizable to show information the driver prefers and is password-protected to prevent tampering



Diagnostic Screen



Comprehensive Vehicle Data Screens



ACTIVE DTC CODES



DEF Tank Warning

Diagnostics and Fault Codes

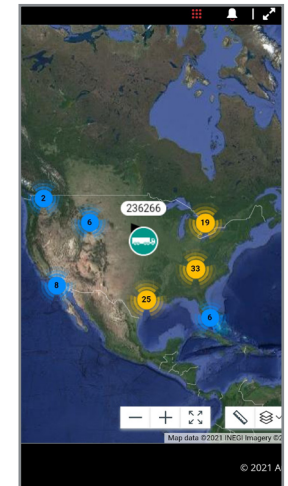
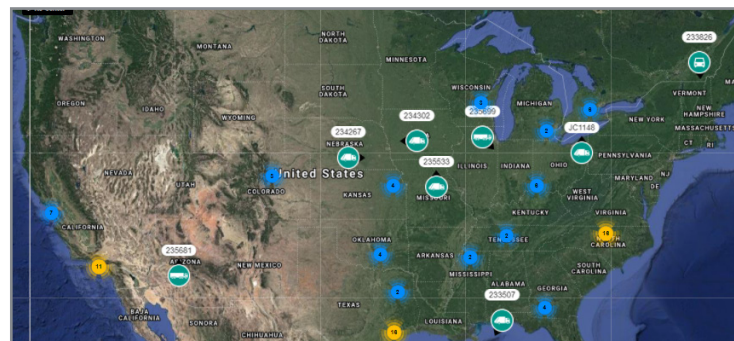
Provides easy access to diagnostic information, vehicle data, and fault codes directly on the dash without connecting to a laptop with proprietary software. Drive warnings are displayed clearly, designed to pre-emptively make the driver aware of changing conditions on the truck before it becomes critical. The system helps to clarify warning lights that might be unfamiliar to new drivers, such as regen and DEF indicators

Advanced Telematics

Autocar's vehicle system offers action-oriented insights that allow you to monitor your trucks and their performance. This multi-faceted tool is integrated with Autocar Solutions providing live support from Autocar's expert technicians and one-touch diagnostics with live schematics. Autocar Advanced Telematics makes monitoring and managing your truck's health easy from any mobile device.

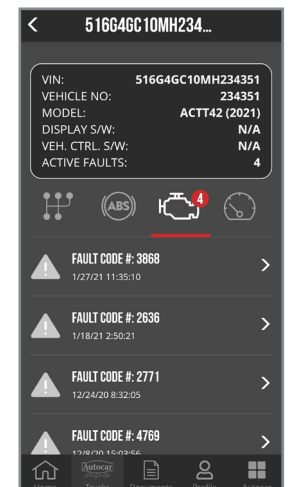
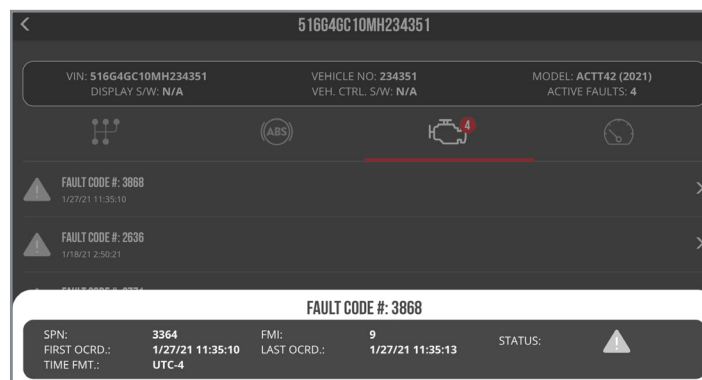
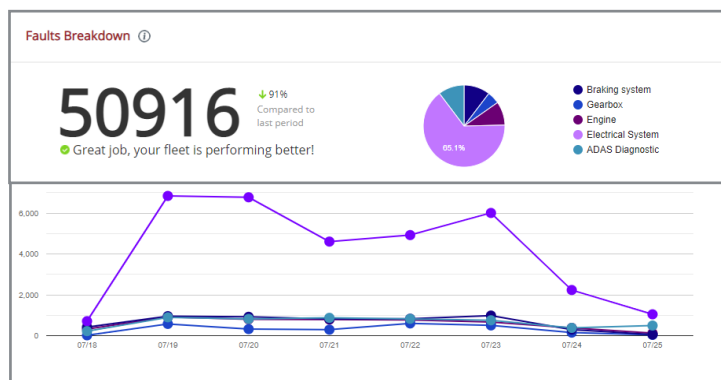
Comprehensive Truck Management

- Manage your new truck process: order, build, body mount, PDI, delivery, in-service
- Monitor the status of your truck at different management levels (site, region, etc.)
- Real-time notifications of driver and truck performance



Integrated with Autocar Solutions

- Live audio or video to speak to an expert technician at Autocar
- Access to all info truck reports plus fault history on any device
- View 3D schematics for relevant fault and direct link to operator manual



Best-In-Class Electric Terminal Tractor

The Autocar E-ACTT™ is the first purpose-built battery-powered terminal tractor. It is designed for maximum uptime through total OEM solutions, reliable performance, and serviceability. This machine represents the next level of innovation in the terminal industry. The E-ACTT features a cab interior and truck performance that matches its diesel counterpart. Incorporating proven off-the-shelf parts for better serviceability and uptime, Autocar offers full support unmatched by any other manufacturer.

Temperature Controlled Batteries

Manage battery temperature to provide performance stability, improve battery life and integrity



HVAC Efficiency

Only EV provider using a heat pump to enable the reuse of wasted energy from EV componentry cooling- leading to unmatched efficiency



Unique Safety Systems

High Voltage Interlock Loop (HVIL)- ensures high voltage connector is securely connected, Master Service Disconnect (MSD)- disconnects high voltage for safe maintenance, Current Voltage Temperature (IVT)- monitors voltage in real time and reports values to control system

CCS-Compliant DC Charging

Industry-standard, no need for a proprietary charging station, able to charge up to 150kw, right-size battery to your application: multiple battery options available

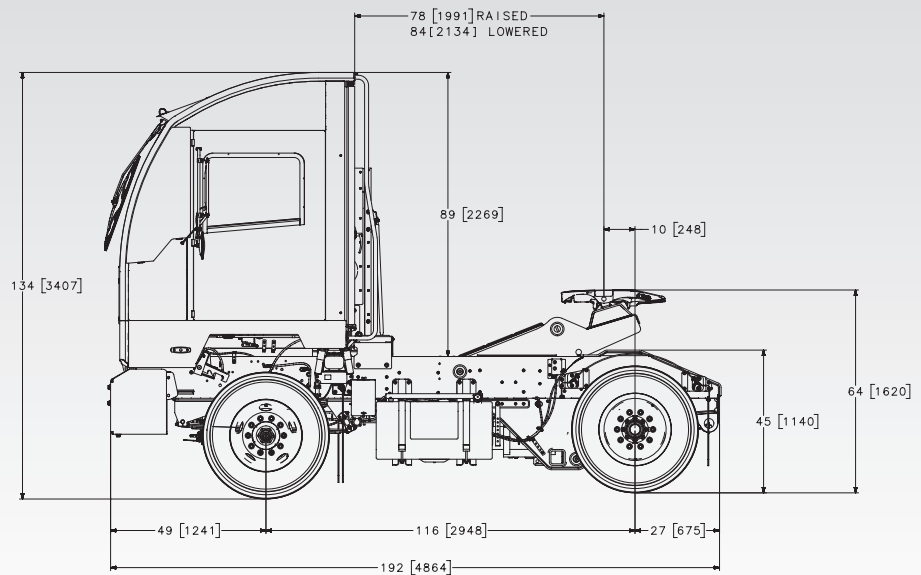
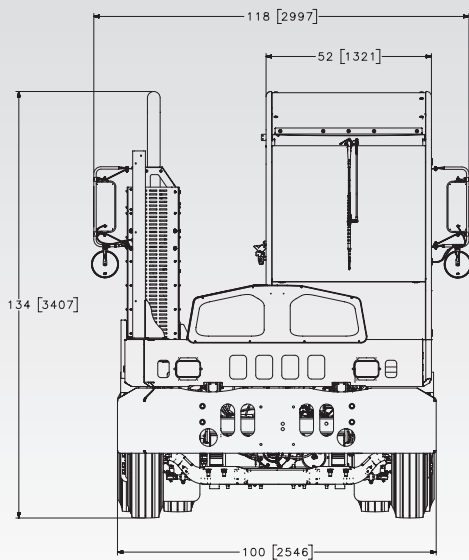


Discover more at autocartruck.com/actt or call 844.723.9100



ACTT 4X2

AUTOCAR TERMINAL TRACTOR - DOT/EPA COMPLIANT



ACTT 4X2 DOT/EPA COMPLIANT
 Representative Terminal Tractor Specifications.
 Your truck will be custom-engineered for your application
ALL DIMENSIONS IN INCHES

ENGINE AND EQUIPMENT

ENGINE AND EQUIPMENT	STANDARD	OPTIONAL
Engine model	Cummins B6.7 200HP @2600RPM/520 LB-FT @1500RPM	Cummins B6.7 260HP @2600RPM/620 LB-FT @1500RPM Cummins B6.7N 200HP @26000RPM/520 LB-FT @1500RPM Cummins B6.7N 240HP @26000RPM/560 LB-FT @1500RPM
Exhaust	Vertical single module DPF/SCR, right side mounted turned out stack	
DEF	6 gallon DEF tank	12 gallon DEF tank
Air Cleaner	Donaldson 11 inch two stage	Donaldson inline precleaner / Donaldson topspin precleaner
Radiator	850 square inch aluminum	
Fan & Drive	Viscous fan drive	Electronic controlled Horton RCV250
Coolant Hoses / Piping	Silicone hoses with steel tubing	
Coolant	Extended life coolant	
Engine Equipment	Fleetguard FS 1003 F/W separator w/probe & dash light	Fleetguard FS 1003 with heat/Davco 245 with heat Engine block heater (750/1000W)/oil pan heater/ engine oil sample port Arctic Fox in-tank fuel heater w/thermostat

TRANSMISSION AND EQUIPMENT

TRANSMISSION AND EQUIPMENT	STANDARD	OPTIONAL
Transmission model	Allison 3000 RDS	Allison 3500 RDS
Transmission gearing	4-speed	3-speed, 5-speed
Transmission controls	Allison push button	Allison T-handle
Transmission cooler	Oil to water type	
Transmission lubricant	TranSynd™ synthetic	
Driveshaft	Dana Spicer® 1710 half-round	

FRONT AXLE AND EQUIPMENT

FRONT AXLE AND EQUIPMENT	STANDARD	OPTIONAL
Axle model	Meritor MFS Wide track (14,700 lb rated)	Dana Spicer® E-1322-W (13,200 lb rated)
Front suspension	Flat leaf (14,500 lb rated)	Flat leaf (18,800 lb rated)
Shock absorbers	Double acting - heavy duty	
Power steering	Gearbox, integral steering w/mechanical backup	
Power steering reservoir	Integral w/hydraulic tank	
ABS	Exempt	4S4M with or without traction control plus ESC (ESC required for vehicles over 33mph)
Brakes	16.5 x 5 s-cam	
Brake drums	Cast iron	
Stack adjusters	Meritor automatic slack adjusters	HalDEX slacks
Front hubs	Iron hub piloted	

REAR AXLE AND EQUIPMENT

REAR AXLE AND EQUIPMENT	STANDARD	OPTIONAL
Axle model	Meritor S24-160 (single reduction)	Meritor RS23-186, Meritor RS30-380 Sisu 30 S Planetary axle
Rear axle ratio	7.17:1	ratio based on selected axle & performance
Rear suspension	Solid	Rear spring suspension w/aeon cushions
ABS	Exempt	4S4M with or without traction control plus ESC (ESC required for vehicles over 33mph)
Brakes	16.5 x 7 s-cam	
Brake drums	Cast iron	
Stack adjusters	Meritor automatic slack adjusters	HalDEX slacks
Rear hubs	Iron hub piloted	
Gear lubricant	Synthetic	

PNEUMATIC SYSTEM (RAPID FILL)

PNEUMATIC SYSTEM	STANDARD	OPTIONAL
Air compressor	Wabco 18.7 CFM	
Air system Drain Valve	Manual petcocks all tanks	Air manifold with pull cords in all tanks or 1/4 turn valve tank drains
Air lines	Nylon, color coded	
Brake system	121 air brake system, front/rear system protection	

FUEL SYSTEM

FUEL SYSTEM	STANDARD	OPTIONAL
Fuel tank	50 gallon steel round mounted left side	50 or 75 gallon step tank, 50 gallon aluminum round, Dual 50 gallon tanks Prep for CNG or LNG tanks (w/Cummins B6.7N option)
Fuel filter	Cummins	
Fuel lines	SAE J844 nylon	

5TH WHEEL & HYDRAULIC SYSTEM

5TH WHEEL AND HYDRAULIC SYSTEM	STANDARD	OPTIONAL
5th wheel	SAF/Holland 80,000 lb semi-oscillating 16 inch lift	SAF/Holland 100,000 lb semi-oscillating 16 inch lift
Hydraulic lift cylinders	(2) 5 inch 50,000 lb capacity, upper & lower spherical bushings	Limited lift height cylinders
Hydraulic tanks	15 gallon steel tank w/sight glass	
Pump	Engine mounted	Chelsea PTO 280-5RK

TRAILER EQUIPMENT

TRAILER EQUIPMENT	STANDARD	OPTIONAL
Air connections	15 ft straight rubber trailer hoses w/spring hanger	20 ft straight rubber trailer hoses w/spring hanger
7-way electric cable receptacle		12 ft electrical cable, 15 ft electrical cable

CHASSIS AND EQUIPMENT

CHASSIS AND EQUIPMENT	STANDARD	OPTIONAL
Wheelbase	116 inch	122", 128"
Frame	2.0 million RBM, 50KSI steel, C-reinforced	2.0 Million RBM, 50KSI Steel, C-Reinforced, Heavy Duty box frame, Galvanized Coating
Frame fasteners	Grade 8 bolts where possible	
Bumper	Steel reinforced bumper	Heavy duty reinforced bumper
Tow device(s)	Front & rear tow eyes	
Mud flaps	Rear of drive tires	

TIRES AND WHEELS

TIRES AND WHEELS	STANDARD	OPTIONAL
Front tires	295/75R22.5 Low-Pro Double Coin	(11R/280/275)/Goodyear, Michelin, Continental
Front wheels	Steel 22.5 x 8.25 hub piloted, 285mm BC	22.5x8.25" Steel 2 HH wheel, customer supplied wheels/tires
Rear tires	295/75R22.55 Double Coin	(11R/280/275)/Goodyear, Michelin, Continental
Rear wheels	Steel 22.5 x 8.25 hub piloted, 285mm BC	22.5x8.25" Steel 2 HH wheel, customer supplied wheels/tires V2B flow through valve caps

ELECTRICAL SYSTEM

ELECTRICAL SYSTEM	STANDARD	OPTIONAL
Electrical system	12V, negative ground	
Alternator	Delco 160 AMP, 28SI w/remote sense pad mount	Mitsubishi 12V 160 AMP pad mount
Starter	Delco Remy 31MT	Denso 12V
Batteries	(2) group 31 750 CCA (min)/ 1500 CCA total	1900CCA, 2000CCA, 3000CCA, AGM batteries 1800CC, 2300 CCA
Circuit protection	Fused circuits	
Windshield wipers	Single electric (pantograph) intermittent w/washer	
Backup alarm	Non-motion detecting	Motion detecting, CA compliant, or white noise
Horn	Single electric	
Telematics	Autocar Advanced Telematics - full installation	

CAB AND EQUIPMENT

CAB AND EQUIPMENT	STANDARD	OPTIONAL
Cab construction	Electrocoated (e-coated) steel, full cab immersion (rust prevention coating)	
Cab dimensions (outside)	Raised roof, 52" wide x 71" deep (w/o rear door) x 78" high (deck to roof)	
Cab doors	Left side hinged door w/manual crank window, aluminum sliding rear door	rear door protector
Rear door opening (useable)	24" wide x 72" high	
Cab floor	Sweep out floor w/durable mat	
Cab dash	Steel wrap around	
Overhead console	Steel	
Cab mounting	4 point, rear dual (2) air suspensions	3-point spring
Cab tilt	Electric over hydraulic	
Windshield	Tinted, laminated windshield	
Rear glass	Tinted, tempered	Laminated, premier high impact-resistant window
Mirrors	Dual SST west coast mirrors	Heated primary, motorized primary, convex
Cab climate control system	44,000 BTU fresh air heater	Air conditioning
Steering column	Fixed	Tilt/telescopic
Steering wheel	18 inch 2-spoke	
Seat	Air suspension, mid-back without fore/aft isolation	air suspension, mid-back with fore/aft isolation
Seat covering	Black Cordura Plus® cloth fabric	Vinyl seat cover
Seat belt	3-point orange extended length	
Dome light	Switch on dash	
Power ports	(1) 12V & 2 USB	
Air horns		Mounted R/S top of cab
Translucent sun visor	Translucent-Single	
Conspicuity tape	White BOC, Red/White end of frame	

LIGHTING

LIGHTING	STANDARD	OPTIONAL
Headlamps	Low/high halogen	LED headlights, spot-style headlights, direct wired
Backup light, stop & turn signals	LED stop & turn, incandescent backup, shock resistant mount	LED spot lights, alternate positioning
BOC 5th wheel light	Incandescent, shock resistant mount	LED BOC light
Marker and side turn signals	LED	

PAINT

PAINT	STANDARD	OPTIONAL
Cab	White	(Customer specific colors)
Chassis	Black	(Customer specific colors)
Bumper	Black	(Customer specific colors)
Wheels	White powder coat	(Customer specific colors)

ACTT 4X2

AUTOCAR TERMINAL TRACTOR - DOT/EPA COMPLIANT

OPTIONAL EQUIPMENT

Air Dryer (ADIP, AD-9, Wabco1200)
Fuel/water separator w/heater
Engine block heater
Oil pan heater
Beavertail/frame extension/kingpin guides
Front axle mudflaps
Rear axle mudflap (front)
Rear flexible fenders
Fender skirt/splash protector
Glad hand buckets
Additional engine tunnel insulation
360 degree swivel trailer light
Premium seating options (swivel, heated)
Rear axle differential lock

Glad-hand and 7-way cable storage
Battery disconnect switch
Air restriction indicator w/ dash light
Amber beacon light
Spot/work/flood lights
Rear door laminated glass or High impact resistant window
Training seat
Auto lube systems
Trailer stops/full cab guard
Dock bumpers (cab)
Additional decking, side cab catwalk
Diamond plate cab floor
RH deck access steps
Dollymaster, pintle hook options
Trailer hand brake

Cab fan(s)
AM/FM radio/CD w/aux input, speakers & antenna
5# ABC fire extinguisher
Triangle kit
Lever start, no key/pushbutton start
Double blink strobe light, other strobe/beacon options
Air horn
No driver door
Lever start, no key/pushbutton start
Double blink strobe light, other strobe/beacon options
Trailer rapid fill system
Pneumatic 5th wheel lockout
Cab document storage
RH deck access steps
Autocar autopark system

OPERATORS CONTROLS

OPERATORS CONTROLS
Park brake - push/pull
Headlamps
Turn signal - column mounted
Brake pedal (dual pedal optional)
Accelerator pedal
5th wheel height control
5th wheel lock
Transmission gear selector - Push button

CAB INSTRUMENTATION
Cluster with Information/diagnostic display
Speedometer
Engine oil pressure
Coolant temperature
Transmission oil temperature
Fuel level/DEF level
Primary (A) air pressure
Secondary (B) air pressure
Hour meter
Voltmeter

CAB WARNING DEVICES
Park brake
High beam
Turn signal
Low fuel
Low air
Seat belt
DPF
HEST
Filter with water in fuel indicator
Fifth wheel height indicator/lock indicator (optional)

BASIC WARRANTIES (INDUSTRY BEST)

ENGINE AND EQUIPMENT	STANDARD	OPTIONAL
Autocar terminal tractor	1 year or 3,000 hours whichever occurs first, parts & labor	
Frame	7 years or 20,000 hours whichever occurs first	
Cummins engine	B6.7- 3 years parts & labor (2,000 hours)	
Allison transmission	3 years parts & labor	5 year optional
Dana axles	3 years parts & labor	
Meritor axles	(24-160 only) 6 months, parts only	2 years parts & labor

VEHICLE RATINGS

Vehicle tare weight, front	
Vehicle tare weight, rear	
GAWF	14,500 lbs
GAWR	23,000 lbs
GCW	80,000 lbs



CERTIFICATE OF LIABILITY INSURANCE

DATE (MM/DD/YYYY)
11/22/2024

THIS CERTIFICATE IS ISSUED AS A MATTER OF INFORMATION ONLY AND CONFERS NO RIGHTS UPON THE CERTIFICATE HOLDER. THIS CERTIFICATE DOES NOT AFFIRMATIVELY OR NEGATIVELY AMEND, EXTEND OR ALTER THE COVERAGE AFFORDED BY THE POLICIES BELOW. THIS CERTIFICATE OF INSURANCE DOES NOT CONSTITUTE A CONTRACT BETWEEN THE ISSUING INSURER(S), AUTHORIZED REPRESENTATIVE OR PRODUCER, AND THE CERTIFICATE HOLDER.

IMPORTANT: If the certificate holder is an ADDITIONAL INSURED, the policy(ies) must have ADDITIONAL INSURED provisions or be endorsed. If SUBROGATION IS WAIVED, subject to the terms and conditions of the policy, certain policies may require an endorsement. A statement on this certificate does not confer rights to the certificate holder in lieu of such endorsement(s).

PRODUCER McGriff Insurance Services, LLC 5400 SW Meadows Road, Suite 240 Lake Oswego, OR 97035	CONTACT NAME: TFcertificates@McGriff.com PHONE (A/C No. Ext): 503-943-6621 E-MAIL ADDRESS: TFcertificates@McGriff.com	FAX (A/C, No): 503-943-6622	
	INSURER(S) AFFORDING COVERAGE		NAIC #
INSURED Unimark Lowboy Transportation LLC 10801 Corporate Dr. Pleasant Prairie, WI 53158	INSURER A : XL Insurance America, Inc.		24554
	INSURER B : Lloyds of London Syndicate 1084: Chaucer		
	INSURER C :		
	INSURER D :		
	INSURER E :		
INSURER F :			

COVERAGES **CERTIFICATE NUMBER:**QUDV53JD **REVISION NUMBER:**

THIS IS TO CERTIFY THAT THE POLICIES OF INSURANCE LISTED BELOW HAVE BEEN ISSUED TO THE INSURED NAMED ABOVE FOR THE POLICY PERIOD INDICATED. NOTWITHSTANDING ANY REQUIREMENT, TERM OR CONDITION OF ANY CONTRACT OR OTHER DOCUMENT WITH RESPECT TO WHICH THIS CERTIFICATE MAY BE ISSUED OR MAY PERTAIN, THE INSURANCE AFFORDED BY THE POLICIES DESCRIBED HEREIN IS SUBJECT TO ALL THE TERMS, EXCLUSIONS AND CONDITIONS OF SUCH POLICIES. LIMITS SHOWN MAY HAVE BEEN REDUCED BY PAID CLAIMS.

INSR LTR	TYPE OF INSURANCE	ADDL INSD	SUBR WVD	POLICY NUMBER	POLICY EFF (MM/DD/YYYY)	POLICY EXP (MM/DD/YYYY)	LIMITS
	COMMERCIAL GENERAL LIABILITY <input type="checkbox"/> CLAIMS-MADE <input type="checkbox"/> OCCUR GEN'L AGGREGATE LIMIT APPLIES PER: <input type="checkbox"/> POLICY <input type="checkbox"/> PRO-JECT <input type="checkbox"/> LOC OTHER:						EACH OCCURRENCE \$ DAMAGE TO RENTED PREMISES (Ea occurrence) \$ MED EXP (Any one person) \$ PERSONAL & ADV INJURY \$ GENERAL AGGREGATE \$ PRODUCTS - COMP/OP AGG \$ \$
A	AUTOMOBILE LIABILITY <input checked="" type="checkbox"/> ANY AUTO <input type="checkbox"/> OWNED AUTOS ONLY <input type="checkbox"/> HIRED AUTOS ONLY <input type="checkbox"/> SCHEDULED AUTOS <input type="checkbox"/> NON-OWNED AUTOS ONLY		X	RAE9438315	04/01/2024	04/01/2025	COMBINED SINGLE LIMIT (Ea accident) \$ 5,000,000 BODILY INJURY (Per person) \$ BODILY INJURY (Per accident) \$ PROPERTY DAMAGE (Per accident) \$ \$
	UMBRELLA LIAB <input type="checkbox"/> OCCUR EXCESS LIAB <input type="checkbox"/> CLAIMS-MADE DED RETENTION \$						EACH OCCURRENCE \$ AGGREGATE \$ \$
	WORKERS COMPENSATION AND EMPLOYERS' LIABILITY ANY PROPRIETOR/PARTNER/EXECUTIVE OFFICER/MEMBER EXCLUDED? (Mandatory in NH) If yes, describe under DESCRIPTION OF OPERATIONS below		Y/N	N/A			PER STATUTE OTH-ER E.L. EACH ACCIDENT \$ E.L. DISEASE - EA EMPLOYEE \$ E.L. DISEASE - POLICY LIMIT \$
B	All Risk Cargo			190120123AA	12/01/2023	12/19/2024	Per Conveyance \$ 1,000,000 \$ \$ \$ \$


DESCRIPTION OF OPERATIONS / LOCATIONS / VEHICLES (ACORD 101, Additional Remarks Schedule, may be attached if more space is required)
Certificate Holder is included as Additional Insured as respects the ongoing operations of the Named Insured with respects to Auto Liability coverage where required by written and signed contract subject to policy terms, conditions, limits and exclusions.

CERTIFICATE HOLDER

AUTOCAR LLC
4680 Pinson Valley Parkway
Birmingham, AL 35215

CANCELLATION

SHOULD ANY OF THE ABOVE DESCRIBED POLICIES BE CANCELLED BEFORE THE EXPIRATION DATE THEREOF, NOTICE WILL BE DELIVERED IN ACCORDANCE WITH THE POLICY PROVISIONS.

AUTHORIZED REPRESENTATIVE 

Form 13

Bond Form

(Construction)

STATE OF FLORIDA

KNOW ALL MEN BY THESE PRESENTS:

That we _____, as Principal, and _____, as Surety, are held and firmly bound unto the City of Hollywood in the sum of _____ Dollars (\$ _____) lawful money of the United States, amounting to 5% of the total SOLICITATION Price, for the payment of said sum, we bind ourselves, our heirs, executors, administrators, and successors, jointly and severally, firmly by these presents.

THE CONDITION OF THIS OBLIGATION IS SUCH, that whereas the principal has submitted the accompanying SOLICITATION, dated _____ 20_ for

Solicitation #: XX-XXX-XX

Solicitation Title: XXXXXX

NOW, THEREFORE, if the principal shall not withdraw said SOLICITATION within 90 days after date of the same and shall within ten days after the prescribed forms are presented to him for signature, enter into a written contract with the CITY, in accordance with the SOLICITATION as accepted, and give bond with good and sufficient surety or sureties, and provide the necessary Insurance Certificates as may be required for the faithful performance and proper fulfillment of such Contract, then this obligation shall be null and void.

Approved Solicitation Bond

In the event of the withdrawal of said SOLICITATION within the specified period, or the failure to enter into such contract and give such bond and insurance within the specified time, the principal and the surety shall pay to the City of Hollywood the difference between the amount specified in said SOLICITATION and such larger amount for which the City of Hollywood may in good faith contract with another party to perform the work and/or supply the materials covered by said SOLICITATION.

In accordance with Florida State Statute 255.05, Payment, Performance and Bid Bonds may be required for construction projects that are over \$200,000.00.

IN WITNESS WHEREOF, the above bound parties have executed this statement under their seal(s) this _____ day of _____, 20__, the name and corporate seal of each corporate party being hereto affixed and these presents duly signed by its undersigned representative, pursuant to authority of its governing body.

WHEN THE PRINCIPAL IS AN INDIVIDUAL:

Signed, sealed and delivered in the presence of:

Witness

Signature of Individual

Address

Printed Name of Individual

Witness

Address

WHEN THE PRINCIPAL IS A CORPORATION:

Attest:

Secretary

Name of Corporation

Business Address

By: _____
(Affix Corporate Seal)

Printed Name

Official Title

CERTIFICATE AS TO CORPORATE PRINCIPAL

I, _____, certify that I am the secretary of the Corporation named as Principal in the attached bond; that _____ who signed the said bond on behalf of the Principal, was then _____ of said Corporation; that I know his signature, and his signature thereto is genuine, and that said bond was duly signed, sealed and attested for and on behalf of said Corporation by authority of its governing body.

(SEAL)
Secretary

Approved Solicitation Bond

TO BE EXECUTED BY CORPORATE SURETY:

Attest:

Secretary

Corporate Surety

Business Address

BY: _____
(Affix Corporate Seal)

Attorney-in-Fact

Name of Local Agency

Business Address

STATE OF FLORIDA

Before me, a Notary Public, duly commissioned, qualified and acting, personally appeared,
_____ to me well known, who being by me first duly sworn upon
oath says that he is the attorney-in-fact for the _____ and
that the has been authorized by _____ to execute the forgoing
bond on behalf of the CONTRACTOR named therein in favor of the City of Hollywood, Florida.
Subscribed and sworn to before me this _____ day of _____, 20____

Notary Public, State of Florida

My Commission Expires:

- END OF SECTION-