

# **MCKINLEY STREET INTERCEPTOR VENTILATION AND TYLER STREET CONFLICT BOX REVISION**

## **CITY PROJECT NO. 7111**

**City Commission Meeting  
July 5, 2023**

# McKinley Street Interceptor Ventilation and Tyler Street Conflict Box Revision

## Project Scope

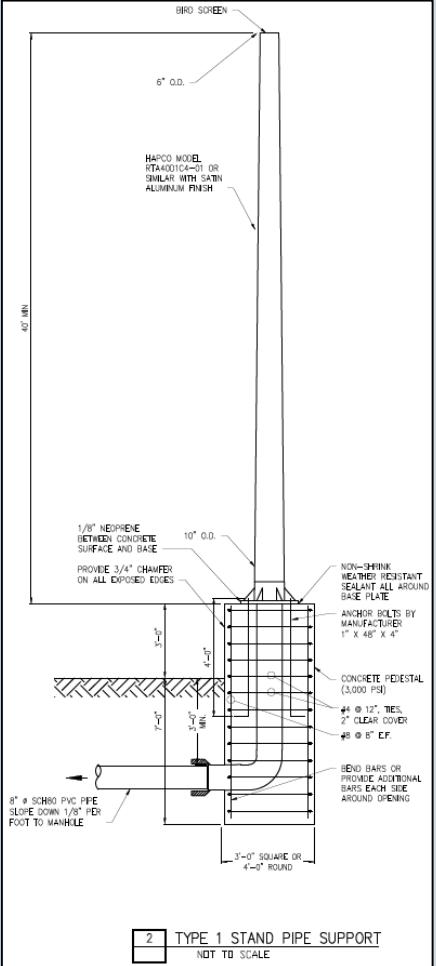
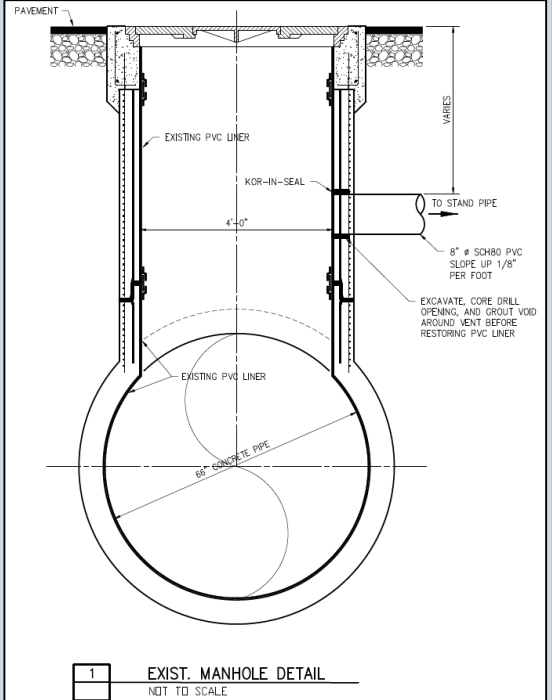
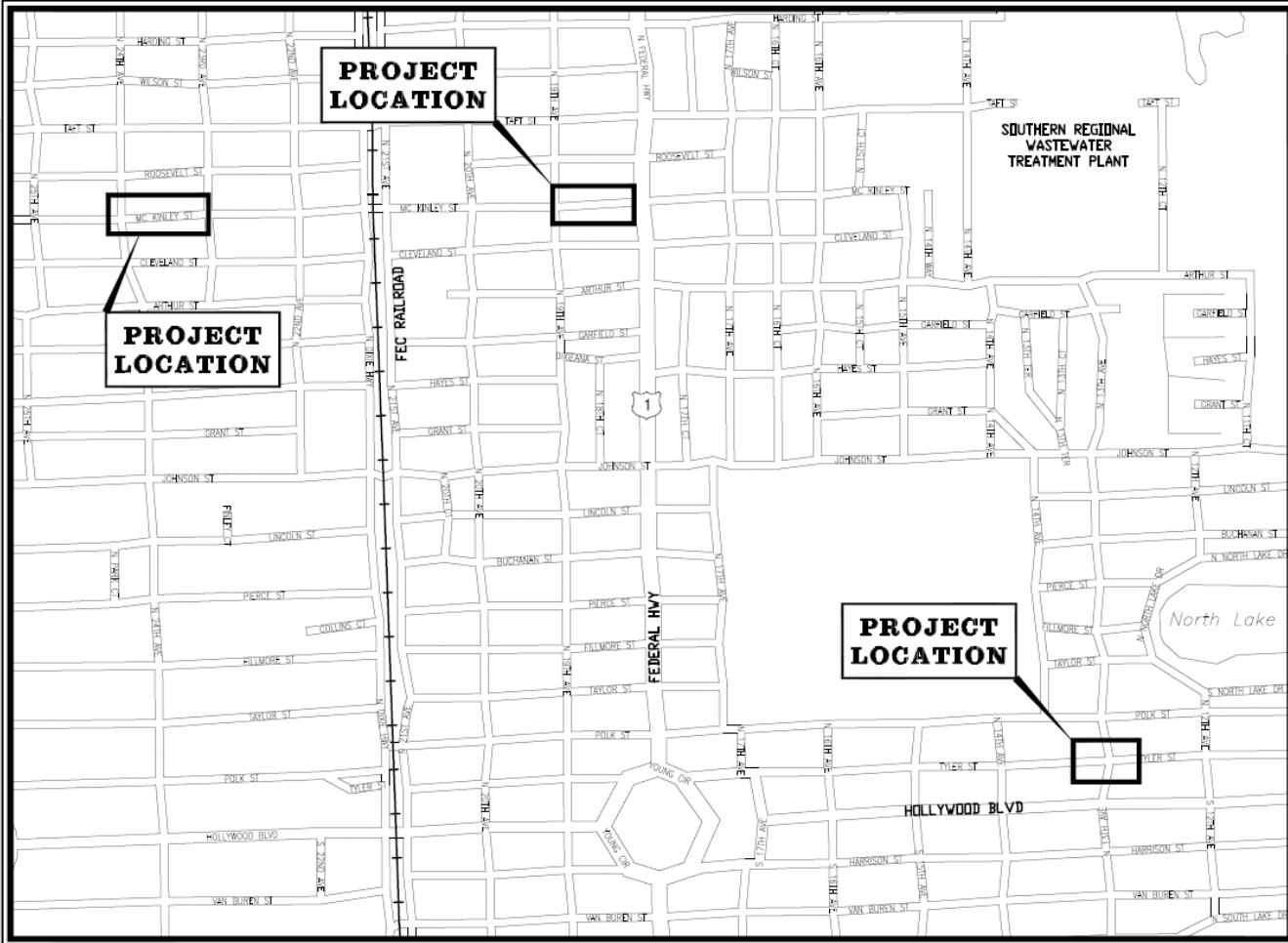
### ▪Purpose

- Install odor and air release control vent piping to resolve odor problem in the neighborhood

### ▪Base Bid

- Vent pipe and valve installation
- Restoration of affected roadway, driveway, sidewalk and grassy areas

# McKinley Street Interceptor Ventilation and Tyler Street Conflict Box Revision



# McKinley Street Interceptor Ventilation and Tyler Street Conflict Box Revision

## ■ Bid Results:

NO.	BIDDER	BASE BID TOTAL
1	Southeastern Engineering Contractors, Inc.	\$200,495.00

# Project Cost and Schedule

- Contractor: *Southeastern Engineering Contractors, Inc.*
- Construction Cost: *\$ 200,495.00*
- Completion Date: *6 months from Notice to proceed Date*

# Thank You