

PURCHASE ORDER ITEMS FOR ACCOUNTS PAYABLE  
 01/22/16  
 PO NUMBER P214978

PO DATE 01/19/16      APPROVED

VENDOR 5761      ADDR # 6      FLEET MANAGEMENT MAIN GARAGE  
 RECHTIEN INTERNTIONAL TRUCKS      CITY OF HOLLYWOOD  
 3787 INTERSTATE PARK ROAD      1602 S. PARK ROAD  
 RIVIERA BEACH FL 33404      HOLLYWOOD FL 33021  
    954 967-4555

ENCUMBERED DATE 01/19/16      ORDER TOTAL 134119.00  
 DEST      TERMS N30

LINE REQ #	TRANS #	TYPE	WHSE	STOCK #	BPO #	PRICE	ACCOUNT #
ENC SHIP DATE	UOM	QUANTITY					ITEM TOTAL
1	R236734	293900012925	N			57.5100.14106.590.056452	58783.00
Y	011416	EA	1.0000		58783.00000		58783.00
DESCRIPTION: SUPPLY & DELIVERY OF ONE (1)INTERNATIONAL DURASTAR 4300 & A PETERSEN TL3 LOADER WITH A 1824 BODY. FLORIDA SHERIFF'S ASSOCIATION CONTRACT #: 15-13-0904 SPECIFICATION #12 CONTRACT OPTIONS AS FOLLOWS:							
2	R236734	293900012926	N			57.5100.14106.590.056452	45.00
Y	011416	EA	1.0000		45.00000		45.00
DESCRIPTION: TEMPERATURE GUAGE FOR ALLISON AUTOMATIC TRANSMISSION ITEM: 16HGH							
3	R236734	293900012927	N			57.5100.14106.590.056452	494.00
Y	011416	EA	1.0000		494.00000		494.00
DESCRIPTION: BENDIX AD-IP AIR DRYER ITEM 4EBT							
4	R236734	293900012928	N			57.5100.14106.590.056452	88.00
Y	011416	EA	1.0000		88.00000		88.00
DESCRIPTION: AIRHORN ITEM: 8WCL							
5	R236734	293900012929	N			57.5100.14106.590.056452	150.00
Y	011416	EA	1.0000		150.00000		150.00

PURCHASE ORDER ITEMS FOR ACCOUNTS PAYABLE  
 01/22/16  
 PO NUMBER P214978

DESCRIPTION:	FIRE EXTINGUISHER & REFLECTOR KIT			
ITEM:	SAFETY			
6 R236734	293900012930 N	1.0000	55.00000	57.5100.14106.590.056452
Y 011416	EA			55.00
DESCRIPTION:	DAYTIME RUNNING LIGHTS			
ITEM:	8WFPB			
7 R236734	293900012931 N	1.0000	62900.00000	57.5100.14106.590.056452
Y 011416	EA			62900.00
DESCRIPTION:	PETERSEN TL3 BASE LOADER W/1824			
	STANDARD BODY			
ITEM:	TL3-18			
8 R236734	293900012932 N	1.0000	120.00000	57.5100.14106.590.056452
Y 011416	EA			120.00
DESCRIPTION:	BACK-UP ALARM			
ITEM:	DLRBA			
	ENGINE SHUTDOWN PROTECTION SYSTEM			
ITEM:	8WPP			
	NO CHARGE FOR ITEM			
9 R236734	293900012933 N	1.0000	28.00000	57.5100.14106.590.056452
Y 011416	EA			28.00
DESCRIPTION:	AUXILIARY POWER SOURCE; PLUG-IN			
	RECEPTACLE			
ITEM:	8718			
10 R236734	293900012934 N	1.0000	93.00000	57.5100.14106.590.056452
Y 011416	EA			93.00
DESCRIPTION:	MANUAL RESET CIRCUIT BREAKERS			
ITEM:	08XAH			
11 R236734	293900012935 N	1.0000	2760.00000	57.5100.14106.590.056452
Y 011416	EA			2760.00
DESCRIPTION:	EXTENDED DIESEL ENGINE & EXHAUST			
	AFTER-TREATMENT WARRANTY COVERAGE;			
	60 MONTHS OR 150,000 MILES			
ITEM:	040KDS			
12 R236734	293900012936 N	1.0000	3574.00000	57.5100.14106.590.056452
Y 011416	EA			3574.00
DESCRIPTION:	NON-CONTRACT OPTIONS:			
	3/16" HARDOX 450 FLOOR, 1/8" HARDOX			

PURCHASE ORDER ITEMS FOR ACCOUNTS PAYABLE  
 01/22/16  
 PO NUMBER P214978

450 SIDES & DOORS, CONTINUOUS  
 WELDS, NO SIDE POSTS, NO FLOOR  
 CROSS SILLS  
 ITEM: 8.28 1824-HDX

13 R236734	293900012937 N	EA	1.0000	3118.00000	57.5100.14106.590.056452
Y 011416					3118.00

DESCRIPTION: QUADSTICK MECH CONTROLS (UPGRADE)  
 ITEM: 01.11MQCA

14 R236734	293900012938 N	EA	1.0000	379.00000	57.5100.14106.590.056452
Y 011416					379.00

DESCRIPTION: GRATING HEAT SHIELD (FOR DUAL  
 CONTROLS ONLY)  
 ITEM: 1.24

15 R236734	293900012939 N	EA	1.0000	637.00000	57.5100.14106.590.056452
Y 011416					637.00

DESCRIPTION: HDHI OUTTRIGGER STROBE  
 ITEM: 10.16HDHI

16 R236734	293900012940 N	EA	1.0000	895.00000	57.5100.14106.590.056452
Y 011416					895.00

DESCRIPTION: PI SELF-WINDING LOAD COVERING  
 DEVICE (ADD-ON)  
 ITEM: 8.36 PISWLCD

TOTAL COST OF UNIT IS: \$134,119.00

ADVERTISING: NO EMBLEM, LOGO, TAG  
 OR OTHER DEVISE OR DESIGN  
 PROMOTING THE DEALER MAY BE  
 AFFIXED IN ANY MANNER TO ANY  
 VEHICLE DELIVERED UNDER THIS  
 CONTRACT, EXCEPT FOR EMBLEMS  
 INSTALLED BY MANUFACTURER  
 IDENTIFYING MANUFACTURE & MODEL.

FLORIDA SHERIFF'S ASSOCIATION,  
 CONTRACT #: 15-13-0904  
 SPECIFICATION #12  
 FSA CONTRACT EXPIRATION DATE:  
 09/30/2016

CONTACT PERSON AT RECHTIEN  
 INTERNATIONAL TRUCKS, INC.  
 3787 INTERSTATE PARK ROAD  
 RIVIERA BCH, FL 33404  
 SALES: JOHN BRADLEY

PURCHASE ORDER ITEMS FOR ACCOUNTS PAYABLE

01/22/16  
PO NUMBER P214978

WJ561-882-9050  
CELL) 561-818-4374  
FAX) 561-882-0218  
EMAIL: bradley@rechtien.com

CONTACT PERSON AT CITY OF  
HOLLYWOOD: JOEL WALL  
954-967-4555  
EMAIL: jwall@hollywoodfl.org

\*\*PRIOR TO FINAL PAYMENT BY THE  
CITY, THE VENDOR SHALL PROVIDE THE  
CITY WITH THE MANUFACTURER'S  
STATEMENT OR CERTIFICATE OF ORIGIN  
LISTING THE CITY OF HOLLYWOOD,  
FLORIDA\*\*

CONFIRMATION OF ORDER MUST BE  
RECEIVED BY AGENCY WITHIN 14  
CALENDAR DAYS AFTER RECEIPT OF  
PURCHASE ORDER.

VEHICLE WILL BE RECEIVED IN  
APPROXIMATELY 150 DAYS FROM  
RECEIPT OF PURCHASE ORDER

DATE OF QUOTE: 12/23/15

RESOLUTION #R-2016-XXX  
DATED: FEBRUARY XX, 2016



# CITY OF HOLLYWOOD, FLORIDA

## PROCUREMENT SERVICES DIVISION

### Piggybacking Request Form

(Use for purchase(s) over \$15,000, when piggybacking off other contracts)

Date: January 14, 2016

Department/Office: Public Works

Division/Area: Fleet Maintenance

Contact Person: Joel Wall / Sylvia Glazer

Title: Fleet Coordinator / Public Works Director

Phone: 954.967.4555 / 954.967.4526

Email: [jwall@hollywoodfl.org](mailto:jwall@hollywoodfl.org) /  
[sglazer@hollywoodfl.org](mailto:sglazer@hollywoodfl.org)

2016 JAN 19 PM 2:29  
CITY OF HOLLYWOOD  
PROCUREMENT SERVICES  
DIVISION

1. Requested Vendor: Rechtien International Truck, Inc. Vendor Number: 5761

Address: 3787 Interstate Park Rd., Riviera Beach, FL 33404

Contact Person: John Bradley

Title: Governmental Sales Manager

Phone: 561-882-9050

Email: [bradley@rechtien.com](mailto:bradley@rechtien.com)

2. Contract title requesting to piggyback?

Awarding Agency: Florida Sheriffs Association Contract Bid Award (15-13-0904).

Contract Expiration Date: September 30, 2016

Copy of Contract and Awarding Agency documentation is attached.

Yes  No

3. Product/Service being requested (be specific). (1) 2016 International Durastar 4300 w/Petersen TL-3 Lightning Loader and 1824 Dump Body, Specification #12.

4. Detailed description of the products/services function and purpose. The Environmental Services Division seeks authorization to purchase the 2016 International Durastar 4300 w/ Peterson Industries TL-3 Lightning Loader and 1824 Dump Body (Combo Crane) to replace the existing 1994 Pacmac Trash/Brush Combo Crane that has reached its useful life expectancy. This truck will perform removal of brush from City rights-of-way, debris from vehicular accidents and natural disasters as well as brush from City crew tree trimming. The 2016

*Procurement Service Division use only*

Requisition # R  
BPO \_\_\_\_\_  
(As Applicable)

Purchase Order # P 214978  
(As Applicable)

Blanket Purchase Order # \_\_\_\_\_  
(As Applicable)

International Durastar 4300 w/ Petersen TL-3 Lightning Loader and 1824 Dump Body model was tested to best perform for the needed requirements in the daily operations of the Public Works Environmental Services Division.

5. Please explain what process the Department/Office took to verify and/or identify this contract. Recommended by the Public Works Department.

6. Were alternative contracts evaluated to determine that the City is obtaining the most advantageous contract pricing for the required product/service?

Yes  No

Please explain This is the best price going for this vehicle and pricing is based on the Florida Sheriff's Association Contract. The State of Florida Contract did not bid on this model vehicle for this year's contract.

7. Total cost of the requested product/service. \$134,119.00

8. Total estimated annual (fiscal year) cost of requested product/service. (1) vehicle = \$134,119.00  
Account Number # 57.5100.14106.590.056452

9. Is this product/service covered by a warranty?  Yes  No

If yes, please attach a copy of the warranty details.

10. Would this purchase(s) result in the potential of future purchases for related products/services being restricted to a particular vendor or create a specific vendor as sole source provider for related items?

Yes  No

If yes, please describe the related products/services and estimated cost(s.) \_\_\_\_\_

11. Would this purchase(s) result in any future maintenance costs which are not included in the initial purchase?

Yes  No

If yes, please attach a draft maintenance plan which includes cost estimates and funding source(s.)  
\_\_\_\_\_

12. Is this a grant related purchase?  Yes  No

If yes, please provide details (timeline, expiration dates, milestones, special procurement requirements, etc.)

Will this require matching funds?  Yes  No

What is the grant source? N/A

What is the grant (dollar) amount? N/A

13. Please complete an advanced search of the vendor recommended for award on the Federal Government's Excluded Parties List System at [www.epls.gov](http://www.epls.gov).

*Procurement Service Division use only*

Requisition # R \_\_\_\_\_  
BPO \_\_\_\_\_  
(As Applicable)

Purchase Order # P 214928  
(As Applicable)

Blanket Purchase Order # \_\_\_\_\_  
(As Applicable)

Date of Advanced Search \_\_\_\_\_

Company Name(s) Searched \_\_\_\_\_

Search Results \_\_\_\_\_

\_\_\_\_\_

\_\_\_\_\_

\_\_\_\_\_

\_\_\_\_\_

\_\_\_\_\_

\_\_\_\_\_

\_\_\_\_\_

\_\_\_\_\_

**REQUESTING DEPARTMENT RECOMMENDATION**

**Note: By signing and returning this form, you are verifying and acknowledging that you have reviewed all portions (scope, terms, conditions, pricing, etc.) of the requested contract and recommend its approval based on the contract complying with the City of Hollywood's scope and pricing requirements and to the best of you knowledge the contract does not violate any applicable policy, statute, governing rule or regulation.**

Joel D. Wall  
Contact Person's Signature

1/14/16  
Date

[Signature]  
Supervisor's Signature

1/15/16  
Date

[Signature]  
Director's Signature

1-15-16  
Date

APPROVAL (Procurement Service Division Use Only)			
Verified By:	<u>[Signature]</u>	Date	<u>1/26/16</u>
Approved By:	<u>[Signature]</u>	Date	<u>2/29/16</u>

Procurement Service Division use only

Requisition # R \_\_\_\_\_  
BPO \_\_\_\_\_  
(As Applicable)

Purchase Order # P 214978  
(As Applicable)

Blanket Purchase Order # \_\_\_\_\_  
(As Applicable)

1/5/2016

Commod Code 070-51

R236734

Vendor 5761  
Address 6



Rechtien International Trucks, Inc

**FLORIDA SHERIFF'S ASSOCIATION Contract 15-13-0904**

Customer: City of Hollywood

Specification:	12	Region:	Southern	Quantity	Unit Cost	extended
<b>Base Price:</b>				1	\$ 58,783.00	\$58,783.00
<b>Contract Options:</b>						
16HGH	Temperature gauge for Allison automatic transmission			1	\$ 45.00	\$ 45.00
4EBT	Bendix AD-IP air dryer			1	\$ 494.00	\$ 494.00
8WCL	Airhorn			1	\$ 88.00	\$ 88.00
SAFETY	Fire extinguisher & reflector kit			1	\$ 150.00	\$ 150.00
8WPB	Daytime running lights			1	\$ 55.00	\$ 55.00
TL3-18	Petersen TL3 base loader with 1824 standard body			1	\$ 62,900.00	\$ 62,900.00
DLRBA	Back-up alarm			1	\$ 120.00	\$ 120.00
						\$ -
8WPP	Engine shutdown protection system			1	No Charge	No Charge
8718	Auxiliary power source - plug in receptacle			1	\$ 28.00	\$ 28.00
08XAH	Manual reset circuit breakers			1	\$ 93.00	\$ 93.00
040KDS	Extended engine & exhaust after-treatment coverage 60-months or 150,000 miles			1	\$ 2,760.00	\$ 2,760.00
<b>Non-Contract Options:</b>						
8.28 1824-HDX	3/16" Hardox 450 floor, 1/8" Hardox 450 sides and doors, continuous welds, no side posts, no floor cross sills			1	\$ 3,574.00	\$ 3,574.00
01.11MQCA	Quadstick Mech Controls (upgrade)			1	\$ 3,118.00	\$ 3,118.00
1.24	Grating heat shield (for dual controls only)			1	\$ 379.00	\$ 379.00
10.16 HDHI	HDHI Outrigger Strobe			1	\$ 637.00	\$ 637.00
8.36 PISWLCD	PI Self-Winding Load Covering Device (add-on)			1	\$ 895.00	\$ 895.00
						\$ -
						\$ -
<b>Total:</b>					\$ 134,119.00	\$ 134,119.00
						\$ -
						\$ -
					\$ 134,119.00	\$ 134,119.00

\*\*Florida Waste Tire Fee  
\*\*Florida Waste Battery Fee

Total Purchase Order Amount:

Cab Color:	White
Body Color:	Black

\*\*included in base price

**Prepared By:**

John Bradley  
Rechtien International Trucks, Inc.  
3787 Interstate Park Road  
Riviera Beach, FL 33404  
office - 561.882.9050  
fax - 561.882.0218  
cell - 561.818.4374  
email - [bradley@rechtien.com](mailto:bradley@rechtien.com)



# ***BID AWARD ANNOUNCEMENT***

# **15-13-0904**

***Effective Dates:***  
*October 1, 2015– September 30, 2016*

**Cab & Chassis Trucks  
& Other Fleet Equipment**

***Participating Sheriffs Offices & Local Governmental  
Agencies of the State of Florida***

*Coordinated By*

**The  
Florida Sheriffs Association  
& Florida Association of Counties**





# FLORIDA SHERIFFS ASSOCIATION & FLORIDA ASSOCIATION OF COUNTIES

## 30,000 LB. GVWR CAB & CHASSIS (DUAL REAR WHEEL) - 4X2 **SPECIFICATION #12**

### 2016 International Durastar

The International Durastar purchased through this contract comes with all the standard equipment as specified by the manufacturer for this model and FSA's base vehicle specification(s) requirements which are included and made a part of this contract's vehicle base price as awarded by specification by zone.

ZONE:	Western	Northern	Central	Southern
BASE PRICE:	\$62,200.00	\$61,200.00	\$58,782.00	<b>\$58,783.00</b>

While the Florida Sheriffs Association and Florida Association of Counties have attempted to identify and include those equipment items most often requested by participating agencies for full size vehicles, we realize equipment needs and preferences are going to vary from agency to agency. In an effort to incorporate flexibility into our program, we have created specific add/delete options which allow the purchaser to tailor the vehicle to their particular wants or needs.

The following equipment delete and add options and their related cost are provided here to assist you in approximating the total cost of the type vehicle(s) you wish to order through this program. Simply deduct the cost of any of the following equipment items you wish deleted from the base unit cost and/or add the cost of any equipment items you wish added to the base unit cost to determine the approximate cost of the type vehicle(s) you wish to order.

NOTE: An official listing of all add/delete options and their prices should be obtained from the appropriate dealer in your zone when preparing your order. Additional add/delete options other than those listed here may be available through the dealers, however, those listed here must be honored by the dealers in your zone at the stated prices.

<b>VEHICLE:</b>	Durastar			
<b>DEALER:</b>	Maudlin International Trucks, LLC	Maudlin International Trucks, LLC	Sun State International Trucks	Rechtien International Trucks, Inc
<b>ZONE:</b>	Western	Northern	Central	Southern
<b>BASE PRICE:</b>	\$62,200.00	\$61,200.00	\$58,782.00	\$58,783.00

Order Code	Delete Options	Western & Northern	Central	Southern
13GNG <sup>1</sup> 13GMS <sup>2</sup> 13GMS <sup>3</sup>	Gas engine in lieu of diesel Provide 6 speed manual with base engine - specify <i>Fuller FS-5406N<sup>1</sup></i> <i>FULLER FS 6406N<sup>2</sup></i> <i>Fuller FS-6406N 6-speed manual. Includes factory option codes 13WLA, 12UYB, and 11LEY.<sup>3</sup></i>	NA \$1,700.00 <sup>1</sup>	NA \$520.00 <sup>2</sup>	NA \$1,758.00 <sup>3</sup>
13GBY <sup>1</sup>	Provide 7 speed manual with base engine - specify <i>Eaton EDCO-6F107A<sup>1</sup></i>	NC <sup>1</sup>	NA	NA
D4085 <sup>1</sup> 4085 <sup>2</sup> 04085 <sup>3</sup>	Air brakes if compatible with transmission <i>N/A with order code SA615<sup>3</sup></i>	\$400.00 <sup>1</sup>	\$370.00 <sup>2</sup>	\$357.00 <sup>3</sup>
D29001 <sup>1</sup> 529001 <sup>2</sup> 529001 <sup>3</sup>	Wheel seals	\$20.00 <sup>1</sup>	\$30.00 <sup>2</sup>	\$35.00 <sup>3</sup>
D8RBK <sup>1</sup> D8RKB <sup>2</sup> DK8RKB <sup>3</sup>	AM/FM stereo radio	\$175.00 <sup>1</sup>	\$300.00 <sup>2</sup>	\$195.00 <sup>3</sup>
	Satellite radio	NA	NA	NA
	On-Star	NA	NA	NA

Order Code	Add Options	Western & Northern	Central	Southern
12EES <sup>1</sup> 12EES <sup>2</sup> 12EES <sup>3</sup>	Engine/transmission upgrade - specify <i>Cummins ISB 240HP<sup>1</sup></i> <i>CUMMINS ISB 240HP ENGINE WITH 2100 RDS TRANSMISSION<sup>2</sup></i> <i>Cummins ISB 240 HP with 560 ft/lb torque<sup>3</sup></i>	\$1,555.00 <sup>1</sup>	\$1,600.00 <sup>2</sup>	\$1,539.00 <sup>3</sup>
12EEU <sup>1</sup> 12EEU <sup>2</sup> 12EEU <sup>3</sup>	Engine/transmission upgrade - specify <i>Cummins ISB 260HP<sup>1</sup></i> <i>CUMMINS ISB 260HP ENGINE WITH 2100 RDS TRANSMISSION<sup>2</sup></i> <i>Cummins ISB 260 HP with 660 ft/lb torque<sup>3</sup></i>	\$3,157.00 <sup>1</sup>	\$2,946.00 <sup>2</sup>	\$3,124.00 <sup>3</sup>
12EEV <sup>1</sup> 12EEW <sup>2</sup> 12EEW <sup>3</sup>	Engine/transmission upgrade - specify <i>Cummins ISB 280HP<sup>1</sup></i> <i>CUMMINS ISB 300HP ENGINE WITH 2100 RDS TRANSMISSION<sup>2</sup></i> <i>Cummins ISB 300 HP with 660 ft/lb torque<sup>3</sup></i>	\$3,867.00 <sup>1</sup>	\$3,988.00 <sup>2</sup>	\$4,457.00 <sup>3</sup>
12EEW <sup>1</sup> 12EEV <sup>2</sup> 12EGA <sup>3</sup>	Engine/transmission upgrade - specify <i>Cummins ISB 300<sup>1</sup></i> <i>Cummins 280 hp with a 3000 RDS Allison transmission<sup>2</sup></i> <i>Cummins ISB 325 HP with 750 ft/lb torque. Includes order code 13AVR or 13AVL.<sup>3</sup></i>	\$4,504.00 <sup>1</sup>	\$7,275.00 <sup>2</sup>	\$9,048.00 <sup>3</sup>

<b>VEHICLE:</b>	Durastar			
<b>DEALER:</b>	Maudlin International Trucks, LLC	Maudlin International Trucks, LLC	Sun State International Trucks	Rechtien International Trucks, Inc
<b>ZONE:</b>	Western	Northern	Central	Southern
<b>BASE PRICE:</b>	\$62,200.00	\$61,200.00	\$58,782.00	\$58,783.00
12NWK <sup>1</sup> 12EEW <sup>2</sup> 12NWK <sup>3</sup>	Engine/transmission upgrade - specify International N-9 275HP with model up-grade to 4400 with Allison 3000 transmission <sup>1</sup> Cummins 300 hp with a 3000 RDS Allison transmission <sup>2</sup> Navistar N9 with SCR, 275 HP with 860 ft/lb torque. Includes order code 13AVR or 13AVL. <sup>3</sup>	\$12,250.00 <sup>1</sup>	\$8,010.00 <sup>2</sup>	\$12,534.00 <sup>3</sup>
12NWC <sup>1</sup> 12EGA <sup>2</sup> 12NWC <sup>3</sup>	Engine/transmission upgrade - specify International N-9 300HP with model up-grade to 4400 with Allison 3000 transmission <sup>1</sup> Cummins 325 hp with a 3000 RDS Allison Transmission <sup>2</sup> Navistar N9 with SCR, 300 HP with 860 ft/lb torque. Includes order code 13AVR or 13AVL. <sup>3</sup>	\$12,545.00 <sup>1</sup>	\$8,166.00 <sup>2</sup>	\$12,725.00 <sup>3</sup>
12NWE <sup>1</sup> 12NWE <sup>3</sup>	Engine/transmission upgrade - specify International N-9 330HP with model up-grade to 4400 with Allison 3000 transmission <sup>1</sup> Navistar N9 with SCR, 330 HP with 950 ft/lb torque. Includes order code 13AVR or 13AVL. <sup>3</sup>	\$13,350.00 <sup>1</sup>	NA	\$13,739.00 <sup>3</sup>
13AVR <sup>1</sup> 13AVJ <sup>2</sup> 13AVR <sup>3</sup>	Engine/transmission upgrade - specify Allison 3000 RDS transmission <sup>1</sup> ALLISON 3000 RDS OR 3500 RDS ( order code 13AVL) IN LIEUOF THE 2100 ALLISON RDS <sup>2</sup> Allison 3000 RDS in lieu of 2500 RDS transmission. Includes factory option code 13WLP. For Allison 3500 RDS in lieu of 2500 RDS ose order code 13AVL. <sup>3</sup>	\$4,860.00 <sup>1</sup>	\$4,185.00 <sup>2</sup>	\$4,194.00 <sup>3</sup>
	Bi-fuel model - specify	NA	NA	NA
	CNG prep - specify	NA	NA	NA
	CNG conversion (discuss with dealer)	NA	NA	NA
	LPG conversion (discuss with dealer)	NA	NA	NA
	Engine hour meter	Std	Incl.	Std
16HGH <sup>1</sup> 16HGH <sup>2</sup> 16HGH <sup>3</sup>	Trans oil temp meter For use with Allison automatic transmission only <sup>3</sup>	\$45.00 <sup>1</sup>	\$40.00 <sup>2</sup>	\$45.00 <sup>3</sup>
13WLN <sup>3</sup>	Allison authorized synthetic oil, TES 295 or equivalent (required for extended warranty) Required with Allison automatic transmission <sup>3</sup>	Std	Incl.	Incl. <sup>3</sup>
15DZU <sup>1</sup> 15DMW <sup>2</sup> 15DZU <sup>3</sup>	Premium hoses Dual 45 gallon fuel tanks DUAL 50 GALLON ALUMINUM FUEL TANKS <sup>2</sup> Dual 50 gallon aluminum fuel tanks. Mounted Under Cab Left Side, and Back of Cab Right Side <sup>3</sup>	\$1,057.00 <sup>1</sup>	\$1,113.00 <sup>2</sup>	\$997.00 <sup>3</sup>
4EBT <sup>1</sup> 4EDT <sup>2</sup> 04EBT <sup>3</sup>	Air dryers BENDIX AD-IP OR EQUAL AIR DRYER <sup>2</sup> Beddix AD-IP air dryer or equal <sup>3</sup>	\$500.00 <sup>1</sup>	\$520.00 <sup>2</sup>	\$494.00 <sup>3</sup>
4722 <sup>1</sup> 4722 <sup>2</sup> 04722 <sup>3</sup>	Moisture ejectors BEDNIX DV 2 AUTOMATIC MOSITURE INJECTOR WET TANK <sup>2</sup> Bendix DV-2 Automatic; with Heater <sup>3</sup>	\$112.00 <sup>1</sup>	\$105.00 <sup>2</sup>	\$112.00 <sup>3</sup>

<b>VEHICLE:</b>	Durastar				
<b>DEALER:</b>	Maudlin International Trucks, LLC	Maudlin International Trucks, LLC	Sun State International Trucks	Rechtien International Trucks, Inc	
<b>ZONE:</b>	Western	Northern	Central	Southern	
<b>BASE PRICE:</b>	\$62,200.00	\$61,200.00	\$58,782.00	\$58,783.00	
Diflock <sup>1</sup> DIFLOC <sup>2</sup> 14ANY <sup>3</sup>	Driver controlled differential lock <i>DRIVER CONTROLLED REAR AXLE DIFFERENTIAL LOCK</i> <sup>2</sup>		\$720.00 <sup>1</sup>	\$1,218.00 <sup>2</sup>	\$551.00 <sup>3</sup>
	Power windows, only		NA	NA	NA
16WJU <sup>1</sup> 16WJU <sup>2</sup> 16WJU <sup>3</sup>	Power windows/door locks <i>use order code 16WJV for 4-door crew cab - Price \$608.00</i> <sup>3</sup>		\$349.00 <sup>1</sup>	\$360.00 <sup>2</sup>	\$345.00 <sup>3</sup>
	Speed control		Std	Std	Std
5708 <sup>1</sup> 5708 <sup>2</sup> 05708 <sup>3</sup>	Tilt steering wheel <i>Tilt steering column</i> <sup>3</sup>		\$119.00 <sup>1</sup>	\$120.00 <sup>2</sup>	\$117.00 <sup>3</sup>
5710 <sup>1</sup> 5710 <sup>2</sup> 05710 <sup>3</sup>	Telescopic and tilt steering wheel <i>Telescopic and tilt steering column</i> <sup>3</sup>		\$312.00 <sup>1</sup>	\$320.00 <sup>2</sup>	\$308.00 <sup>3</sup>
8RME <sup>1</sup> 8RME <sup>2</sup> 08RME <sup>3</sup>	AM/FM radio with single CD <i>AM/FM/WB/Clock/3MM Auxiliary Input, with Multiple Speakers, With CD Player</i> <sup>3</sup>		\$160.00 <sup>1</sup>	\$470.00 <sup>2</sup>	\$446.00 <sup>3</sup>
	Side air bags		NA	NA	NA
3K <sup>1</sup> 3K <sup>2</sup> 3K <sup>3</sup>	Third key <i>dealer provided</i> <sup>3</sup>		\$15.00 <sup>1</sup>	\$20.00 <sup>2</sup>	\$18.00 <sup>3</sup>
SR515 <sup>1</sup> SA615 <sup>2</sup> SR515 <sup>3</sup>	Upgrade to 4x4 (specify factory or after market) <i>FACTORY WORKSTAR with DT 2115 engine</i> <sup>1</sup> <i>WORKSTAR FACTORY 4 X 2 INCLUDES ALLISON 2500 RDS TRANSMISSION (OPTIONS CODE 13ATH)</i> <sup>2</sup> <i>Factory 4x4. Includes order code SA615 Workstar model upgrade and factory option codes 04EBT, 01CAG, 02EZJ, 13TKH, and 16VHG.</i> <sup>3</sup>		\$32,000.00 <sup>1</sup>	\$3,697.00 <sup>2</sup>	\$30,622.00 <sup>3</sup>
SA615 <sup>1</sup> SR515 <sup>2</sup> SA615 <sup>3</sup>	Model upgrade - specify <i>Workstar 7300 with Cummins ISB engine</i> <sup>1</sup> <i>WORKSTAR FACTORY 4 X 4 INCLUDES ALLISON 2500 RDS TRANSMISSION (OPTIONS CODE 13ATH)</i> <sup>2</sup> <i>Workstar in lieu of Durastar. Includes factory option code 16VHG</i> <sup>3</sup>		\$2,900.00 <sup>1</sup>	\$24,332.00 <sup>2</sup>	\$4,244.00 <sup>3</sup>
16VHG <sup>3</sup>	Model upgrade - specify <i>Cab Air Ride Suspension for Mid Cab in Lieu of Low Cab Mounting Height (Approx. 4")</i> <sup>3</sup>		NA	NA	\$538.00 <sup>3</sup>
16196 <sup>1</sup> 16196 <sup>2</sup> 16196 <sup>3</sup>	Crew cab (84" CA) <i>4-door cab with bench seats front and rear. Includes factory option codes 16SMV, 16VHG, and 16WSG</i> <sup>3</sup>		\$8,940.00 <sup>1</sup>	\$7,290.00 <sup>2</sup>	\$9,086.00 <sup>3</sup>
16CAB <sup>1</sup> 16CAB <sup>2</sup> 16CAB <sup>3</sup>	Super cab (84" CA) <i>2-door extended cab with fixed individual front driver and passenger seats and rear bench seat. Includes factory option codes 16SMV, 16VHG, 16SMN, 16KAV, and 16WSX</i> <sup>3</sup>		\$3,670.00 <sup>1</sup>	\$3,024.00 <sup>2</sup>	\$4,998.00 <sup>3</sup>
	Cutaway cab		NA	NA	NA

VEHICLE:	Durastar			
DEALER:	Maudlin International Trucks, LLC	Maudlin International Trucks, LLC	Sun State International Trucks	Rechtien International Trucks, Inc
ZONE:	Western	Northern	Central	Southern
BASE PRICE:	\$62,200.00	\$61,200.00	\$58,782.00	\$58,783.00
14TBJ <sup>1</sup> 14BS <sup>2</sup> 14TBJ <sup>3</sup>	Optional cab and chassis equipment - specify <i>Air Ride 30K</i> <sup>1</sup> <i>AIR RIDE REAR SUSPENSION FOR 30,000 GVWR AND ABOVE -N/A WITH HYDRAULIC BRAKES- MINIMUM CA RESTRICTED, CONTACT DEALER</i> <sup>2</sup> <i>Air ride rear suspension, 21,000 lbs. Not available with hydraulic brakes. CA restricted, contact dealer for availability. Includes factory option codes 01CAD &amp; 14899</i> <sup>3</sup>	\$2,250.00 <sup>1</sup>	\$2,362.00 <sup>2</sup>	\$1,727.00 <sup>3</sup>
16JNT <sup>1</sup> 14TAX <sup>2</sup> 14TAX <sup>3</sup>	Optional cab and chassis equipment - specify <i>Air ride drivers and two man passengers seats</i> <sup>1</sup> <i>AIR RIDE REAR SUSPENSION FOR 33,000 GVWR AND ABOVE -N/A WITH HYDRAULIC BRAKES- MINIMUM CA RESTRICTED, CONTACT DEALER</i> <sup>2</sup> <i>Air ride rear suspension, 23,000 lbs. Not available with hydraulic brakes. CA restricted, contact dealer for availability. Includes factory option codes 01CAD, 04LAA, 04LGA, 14AHB, &amp; 14899.</i> <sup>3</sup>	\$657.00 <sup>1</sup>	\$2,932.00 <sup>2</sup>	\$3,121.00 <sup>3</sup>
16RPV <sup>1</sup> 16JNT <sup>2</sup> 16JNT <sup>3</sup>	Optional cab and chassis equipment - specify <i>Air ride drivers and passenger seats</i> <sup>1</sup> <i>AIR RIDER DRIVER SEAT AND 2 MAN PASSENGER SEAT</i> <sup>2</sup> <i>Air ride driver seat and 2-man passenger seat. Includes factory option code 16SMP</i> <sup>3</sup>	\$595.00 <sup>1</sup>	\$447.00 <sup>2</sup>	\$630.00 <sup>3</sup>
16PJH <sup>1</sup> 16RPV <sup>2</sup> 16RPV <sup>3</sup>	Optional cab and chassis equipment - specify <i>Air ride drivers seat and fixed passengers</i> <sup>1</sup> <i>AIR RDIER DRIVER AND PASSENGER SEAT</i> <sup>2</sup> <i>Air ride driver seat and passenger seat. Includes factory option code 16JNT.</i> <sup>3</sup>	\$400.00 <sup>1</sup>	\$624.00 <sup>2</sup>	\$599.00 <sup>3</sup>
16TAX <sup>1</sup> 16PJH <sup>2</sup> 16SMN <sup>3</sup>	Optional cab and chassis equipment - specify <i>Air ride 33K</i> <sup>1</sup> <i>AIR RIDE DRIVER SEAT AND FIXED PASSENGER SEAT</i> <sup>2</sup> <i>Air ride driver seat and fixed passenger seat. Includes factory option code 16JNT</i> <sup>3</sup>	\$2,832.00 <sup>1</sup>	\$404.00 <sup>2</sup>	\$467.00 <sup>3</sup>
	Left-hand pillar mounted 6" spotlight with clear halogen bulb, dealer installed	NA	NA	NA
	Left & right-hand pillar mounted 6" spotlight with clear halogen bulb, dealer installed	NA	NA	NA
	Vent visors - stick-on style	NA	NA	NA
	Rainshields - flange style	NA	NA	NA
	Spray-in liner (Rhino, Line-X or approved equivalent)	NA	NA	NA
TLbox <sup>1</sup> TBU4818A <sup>2</sup> TBU4818 <sup>3</sup>	Knapheide under body tool boxes or approved equivalent <i>KNAPHEIDE OR EQUAL UNDER BODY TOOLBOX</i> <sup>2</sup> <i>Knapheide or equal under body mounted steel tool box 48" x 18" x 18".</i> <sup>3</sup>	\$450.00 <sup>1</sup>	\$585.00 <sup>2</sup>	\$595.00 <sup>3</sup>
16WSL <sup>1</sup> 16WSL <sup>2</sup> 16WSL <sup>3</sup>	Fender or cowl mounted convex mirrors <i>FENDER MOUNTED CONVEX MIRROR</i> <sup>2</sup> <i>Fender mounted convex mirrors</i> <sup>3</sup>	\$130.00 <sup>1</sup>	\$130.00 <sup>2</sup>	\$129.00 <sup>3</sup>
8WCL <sup>1</sup> 8WCL <sup>2</sup> 08WCL <sup>3</sup>	<b>Airhorn</b> <i>NOT AVAILABE HYDRUALIC BRAKES</i> <sup>2</sup>	\$90.00 <sup>1</sup>	\$90.00 <sup>2</sup>	\$88.00 <sup>3</sup>

<b>VEHICLE:</b>	Durastar			
<b>DEALER:</b>	Maudlin International Trucks, LLC	Maudlin International Trucks, LLC	Sun State International Trucks	Rechtien International Trucks, Inc
<b>ZONE:</b>	Western	Northern	Central	Southern
<b>BASE PRICE:</b>	\$62,200.00	\$61,200.00	\$58,782.00	\$58,783.00

Safety <sup>1</sup> SAFETY <sup>2</sup> SAFETY <sup>3</sup>	Safety kit, fire extinguishers & triangles Dealer installed <sup>3</sup>	\$150.00 <sup>1</sup>	\$150.00 <sup>2</sup>	\$150.00 <sup>3</sup>
14WAP <sup>1</sup> 14WAP <sup>2</sup> 14WAP <sup>3</sup>	Front stabilizer bars Rear shock absorbers <i>CA RESTRICTED CONTACT DEALER FOR AVAILABILITY<sup>2</sup></i> <i>CA Restricted, contact dealer for availability<sup>3</sup></i>	NA \$88.00 <sup>1</sup>	NA \$90.00 <sup>2</sup>	NA \$87.00 <sup>3</sup>
15LKV <sup>1</sup> 15LLH <sup>2</sup> 15LLH <sup>3</sup>	Auxiliary rear springs Heated fuel water separator	Std \$276.00 <sup>1</sup>	Incl. \$585.00 <sup>2</sup>	Std \$614.00 <sup>3</sup>
4092 <sup>1</sup> 4092 <sup>2</sup> 04092 <sup>3</sup>	Tractor brake package (30,000 GVWR only) <i>GVWR BY 2500 RDS TRANSMISSION, FOR HIGHER GCWR USE ORDER CODE 13AVR<sup>2</sup></i> <i>Tractor brake package with stationary 5th wheel. Limited to 35,000 lbs. GCWR by the 2500 RDS transmission. Includes factory option codes 16ZGM, 10HKB, 10WPR, 01616, 02ASH, 10WPY.<sup>3</sup></i>	\$3,500.00 <sup>1</sup>	\$3,326.00 <sup>2</sup>	\$1,846.00 <sup>3</sup>
Pintle <sup>1</sup> PNTL <sup>2</sup> PNTL <sup>3</sup>	Trailer towing package - specify <i>30 ton pintle hook<sup>1</sup></i> <i>PINTLE HOOK WITH SAFETY CHAIN RINGS- REQUIRES ORDER CODE 4629 OR 8TMG<sup>2</sup></i> <i>Pintle hook with safety chain rings - dealer installed. Requires order code 04619 or 08HAH.<sup>3</sup></i>	\$1,250.00 <sup>1</sup>	\$924.00 <sup>2</sup>	\$954.00 <sup>3</sup>
8TMG <sup>1</sup> 4619 <sup>2</sup> 04619 <sup>3</sup>	Trailer towing package for air operated trailer brakes <i>Hitch not included<sup>1</sup></i> <i>INCLUDES LIGHTING PLUG AND GLAD HANDS- HITCH NOT INCLUDED<sup>2</sup></i> <i>Includes factory option code 08HAA and dealer installed lighting plug and glad hands. Hitch not included.<sup>3</sup></i>	\$740.00 <sup>1</sup>	\$770.00 <sup>2</sup>	\$869.00 <sup>3</sup>
4619 <sup>1</sup> 8TMG <sup>2</sup> 08HAH <sup>3</sup>	Trailer towing package for electric operated trailer brakes <i>Hitch not included<sup>1</sup></i> <i>INCLUDES LIGHTING PLUG AND GLAD HANDS-HITCH NOT INCLUDED<sup>2</sup></i> <i>Includes dealer installed lighting plug and electric brake controller. Hitch not included.<sup>3</sup></i>	\$515.00 <sup>1</sup>	\$730.00 <sup>2</sup>	\$579.00 <sup>3</sup>
Mud <sup>1</sup> 10WPY <sup>2</sup> 10WPY <sup>3</sup>	Mud flaps Dealer installed <sup>3</sup>	\$70.00 <sup>1</sup>	\$60.00 <sup>2</sup>	\$74.00 <sup>3</sup>
26DRA <sup>1</sup> 29007 <sup>2</sup> 29007 <sup>3</sup>	Full size spare tire & rim <i>11R22.5 base tire. Contact dealer for additional tire sizes. Includes factory option code 26DTJ<sup>3</sup></i>	\$700.00 <sup>1</sup>	\$700.00 <sup>2</sup>	\$850.00 <sup>3</sup>
Jack <sup>1</sup> JACK <sup>2</sup>	Jack and wheel wrench  Nitrogen filled tires including spare tire	\$370.00 <sup>1</sup>  NA	\$375.00 <sup>2</sup>  NA	NA  NA
8WPB <sup>1</sup> 8WPB <sup>2</sup> 08WPB <sup>3</sup>	Daytime running lights	\$55.00 <sup>1</sup>	\$50.00 <sup>2</sup>	\$55.00 <sup>3</sup>

<b>VEHICLE:</b>	Durastar			
<b>DEALER:</b>	Maudlin International Trucks, LLC	Maudlin International Trucks, LLC	Sun State International Trucks	Rechtien International Trucks, Inc
<b>ZONE:</b>	Western	Northern	Central	Southern
<b>BASE PRICE:</b>	\$62,200.00	\$61,200.00	\$58,782.00	\$58,783.00

		Std	Std	Std <sup>3</sup>
08WZK <sup>3</sup>	Immobilize daytime running lights			
Nap132D <sup>1</sup> 6132D54J <sup>2</sup> 6133HC <sup>3</sup>	Knapheide 6132 utility body or approved equivalent (requires 84" CA) <i>knapheide 6132 or equal 11' utility body<sup>2</sup></i> <i>11' Knapheide utility body<sup>3</sup></i>	\$7,200.00 <sup>1</sup>	\$7,867.00 <sup>2</sup>	\$14,531.00 <sup>3</sup>
God184 <sup>1</sup> 3DB <sup>2</sup> 3DBOX <sup>3</sup>	Heil 2-3 yd. dump body with manual ground control tarp or approved equivalent (requires 84" CA) <i>knapheide or equal 9'dump body with 16" sides<sup>2</sup></i> <i>Ox or equal<sup>3</sup></i>	\$10,500.00 <sup>1</sup>	\$11,593.00 <sup>2</sup>	\$14,189.00 <sup>3</sup>
God300 <sup>1</sup> 5DB <sup>2</sup> 5DBOX <sup>3</sup>	5 yd. dump with manual ground control tarp (requires 84" CA) <i>godwin or equal - 10' dump body with 23" sides<sup>2</sup></i> <i>Ox or equal<sup>3</sup></i>	\$13,500.00 <sup>1</sup>	\$13,133.00 <sup>2</sup>	\$14,388.00 <sup>3</sup>
PVMX12 <sup>1</sup> 12SB <sup>2</sup> 12SB <sup>3</sup>	12 ft. flat stake body with 40" sides all around (requires 84" CA)	\$4,800.00 <sup>1</sup>	\$5,446.00 <sup>2</sup>	\$8,272.00 <sup>3</sup>
BR12 <sup>1</sup> 12CD <sup>2</sup> 12CD <sup>3</sup>	12 ft. contractors dump with manual ground control tarp, 14" sides (requires 84" CA) <i>REQUIRES 108' CA<sup>2</sup></i> <i>Includes order code DLRPTO<sup>3</sup></i>	\$13,500.00 <sup>1</sup>	\$12,263.00 <sup>2</sup>	\$14,097.00 <sup>3</sup>
PVMX14 <sup>1</sup> 14SB <sup>2</sup> 14SB <sup>3</sup>	14 ft. flat stake body with 40" sides all around (requires 108" CA)	\$5,200.00 <sup>1</sup>	\$6,026.00 <sup>2</sup>	\$8,622.00 <sup>3</sup>
BR14 <sup>1</sup> 14CD <sup>2</sup> 14CD <sup>3</sup>	14 ft. contractors dump with manual ground control tarp, 14" sides (requires 108" CA) <i>Includes order code DLRPTO<sup>3</sup></i>	\$14,200.00 <sup>1</sup>	\$12,914.00 <sup>2</sup>	\$15,019.00 <sup>3</sup>
PVMX16 <sup>1</sup> 16SB <sup>2</sup> 16SB <sup>3</sup>	16 ft. flat stake body with 40" sides all around (requires 120" CA)	\$5,700.00 <sup>1</sup>	\$6,311.00 <sup>2</sup>	\$8,997.00 <sup>3</sup>
BR16 <sup>1</sup> 16CD <sup>2</sup> 16CD <sup>3</sup>	16 ft. contractors dump with manual ground control tarp, 14" sides (requires 120" CA) <i>Includes order code DLRPTO<sup>3</sup></i>	\$14,700.00 <sup>1</sup>	\$13,373.00 <sup>2</sup>	\$15,252.00 <sup>3</sup>
PVMX18 <sup>1</sup> 18SB <sup>2</sup> 18SB <sup>3</sup>	18 ft. flat stake body with 40" sides all around (requires 138" CA)	\$6,000.00 <sup>1</sup>	\$6,801.00 <sup>2</sup>	\$9,445.00 <sup>3</sup>
19ROLL <sup>1</sup> 21RB <sup>2</sup> 19RB <sup>3</sup>	19 ft. rollback wrecker with wheel lift (requires 120" CA) <i>VULCAN OR EQUAL 21' ROLLBACK INCLUDES ORDER CODES 60AAA AND CA 120<sup>2</sup></i> <i>19.5 ft. Century 10-Series or equal. Includes order codes CA120, DLRPTO, &amp; 60AAA. Also includes one set of work lights.<sup>3</sup></i>	\$27,000.00 <sup>1</sup>	\$27,221.00 <sup>2</sup>	\$30,124.00 <sup>3</sup>
PVMX20 <sup>1</sup> 20SB <sup>2</sup> 20SB <sup>3</sup>	20 ft. flat stake body with 40" sides all around (requires 156" CA)	\$6,500.00 <sup>1</sup>	\$7,176.00 <sup>2</sup>	\$9,460.00 <sup>3</sup>



VEHICLE:	Durastar			
DEALER:	Maudlin International Trucks, LLC	Maudlin International Trucks, LLC	Sun State International Trucks	Rechtien International Trucks, Inc
ZONE:	Western	Northern	Central	Southern
BASE PRICE:	\$62,200.00	\$61,200.00	\$58,782.00	\$58,783.00
COM20 <sup>1</sup> 20DV <sup>2</sup> 20DV <sup>3</sup>	20 ft. van roll up door (requires 156" CA) SUPREME OR EQUAL - 91' INSIDE HEIGHT X 96" OUTSIDE WIDTH WITH ROLLUP REAR DOOR <sup>2</sup> Aluminum 20' x 96" x 96" inside height <sup>3</sup>	\$10,500.00 <sup>1</sup>	\$10,667.00 <sup>2</sup>	\$9,312.00 <sup>3</sup>
COM24 <sup>1</sup> 24DV <sup>2</sup> 24DV <sup>3</sup>	24 ft. van roll up door (requires 186" CA) SUPREME OR EQUAL - 91' INSIDE HEIGHT X 96" OUTSIDE WIDTH WITH ROLLUP REAR DOOR <sup>2</sup> Aluminum 24' x 96" x 96" indide height <sup>3</sup>	\$11,300.00 <sup>1</sup>	\$12,024.00 <sup>2</sup>	\$10,042.00 <sup>3</sup>
PVMX24 <sup>1</sup> 24SB <sup>2</sup> 24SB <sup>3</sup>	24 ft. flat stake body with 40" sides all around (requires 186" CA)	\$7,800.00 <sup>1</sup>	\$8,290.00 <sup>2</sup>	\$9,999.00 <sup>3</sup>
16FLTDMP <sup>1</sup> AL76D <sup>2</sup> BERGFP5 <sup>3</sup>	Optional body - specify 16 ft. flat bed dump <sup>1</sup> OILMEN'S OR EQUAL 2700 GALLON ALUMINUM PETROLEUM TANK WITH PUMPS AND DISTRIBUTION SYSTEM, INCLUDES 4EBT, 33156, 8HAB, 35NUN <sup>2</sup> Bergkamp FP5 pothole patcher. Includes order codes 16HGH, 04EBT, 33120, 35AVR, 07BEP, & 60AAA. <sup>3</sup>	\$11,150.00 <sup>1</sup>	\$116,786.00 <sup>2</sup>	\$102,020.00 <sup>3</sup>
COM26 <sup>1</sup> TL3-18 <sup>2</sup> TL3-18 <sup>3</sup>	Optional body - specify 26 ft. van <sup>1</sup> PETERSEN OR EQUAL TL3 BASE LOADER WITH 18FT BODY, INCLUDES ORDER CODES 16SDC, 37NUN, 60AAA, 33186 <sup>2</sup> Petersen TL3 or equal base loader with 18 ft. body. Includes order codes 16SDC, 33AVJ, 60AAA, and 33180. Includes Petersen option - Hose Guards. <sup>3</sup>	\$12,500.00 <sup>1</sup>	\$67,999.00 <sup>2</sup>	\$62,900.00 <sup>3</sup>
TL3-118 <sup>1</sup> TL3-20 <sup>2</sup> TL3-20 <sup>3</sup>	Optional body - specify Petersen TL3 base loader with 18ft body. Includes order codes 60AAA & 186CA <sup>1</sup> PETERSEN OR EQUAL TL3 BASE LOADER WITH 20FT BODY, INCLUDES ORDER CODES 16SDC, 37NUN, 60AAA, 33186 <sup>2</sup> Petersen TL3 or equal base loader with 20 ft. body. Includes order codes 16SDC, 37EEW, 60AAA, and 33186. Includes Petersen option - Hose Guards. <sup>3</sup>	\$67,000.00 <sup>1</sup>	\$72,941.00 <sup>2</sup>	\$70,111.00 <sup>3</sup>
BERGFP5 <sup>1</sup> 20KPR <sup>2</sup> 20YDRL <sup>3</sup>	Optional body - specify Bergkamp FP5 flameless pothole patcher <sup>1</sup> HEIL PT1000 OR EQUAL 20 CUBIC YARD REAR LOADER, INCLUDES SA615 7SDE AND 33AVL <sup>2</sup> New Way Viper or equal 20 cubic yard rear loader. Includes order code 33AVG & 33156 (requires 138" CA). <sup>3</sup>	\$91,500.00 <sup>1</sup>	\$76,671.00 <sup>2</sup>	\$61,865.00 <sup>3</sup>
TCM425-80-DHE <sup>1</sup> LR7-58 <sup>2</sup> LR7-58 <sup>3</sup>	Optional body - specify H.D. Industries Pro-Patch LP pothole patcher <sup>1</sup> ALTEC MODEL LT7-58 OR EQUAL INSULATED AERIAL DEVICE WITH CHIPPER BODY, INCLUDES ORDER CODES 33AVR, 14NUN, 33120 <sup>2</sup> Altec model LR7-58 or equal insulated aerial device with chipper body. Includes order codes 33AVJ, 33120, 60AAA, & 08THB. <sup>3</sup>	\$77,900.00 <sup>1</sup>	\$97,748.00 <sup>2</sup>	\$102,878.00 <sup>3</sup>
Viper13RL <sup>1</sup> TMC425 <sup>2</sup> H20TNK <sup>3</sup>	Optional body - specify New Way Viper 13yd rear loading garbage body <sup>1</sup> HD INDUSTRIES 425-80-DHE POTHOLE PATCHER WITH SECONDARY AUGUER MOTOR, WAKER COMPACTOR PLATE, HYRD, LIFTH PLATFORM, LED AAROW BOARD INCLUDES ORDER CODES 33120 AND 33AVR <sup>2</sup> 2000 gallon heavy duty poly water tank with pump system. Includes order codes 33AVJ & CA108 <sup>3</sup>	\$49,800.00 <sup>1</sup>	\$86,975.00 <sup>2</sup>	\$44,999.00 <sup>3</sup>

VEHICLE:	Durastar			
DEALER:	Maudlin International Trucks, LLC	Maudlin International Trucks, LLC	Sun State International Trucks	Rechtien International Trucks, Inc
ZONE:	Western	Northern	Central	Southern
BASE PRICE:	\$62,200.00	\$61,200.00	\$58,782.00	\$58,783.00
CS9129A <sup>1</sup> 20YARD <sup>2</sup> 20YARD <sup>3</sup>	Optional body - specify <i>GS 20yd automated side loading garbage body. Full 33000GVW required.</i> <sup>1</sup> <i>20 CUBIC YARD TRASH DUMPBODY WITH TARP, INCLUDES ORDER CODE C.A. 156</i> <sup>2</sup> <i>20 cubic yard steel trash dump body. Includes order codes 33156 &amp; 33AVJ</i> <sup>3</sup>	\$110,533.00 <sup>1</sup>	\$19,985.00 <sup>2</sup>	\$25,444.00 <sup>3</sup>
RS-3 <sup>1</sup> RS3-RL <sup>2</sup> RS3 <sup>3</sup>	Optional body - specify <i>Petersen RS-3 rear steer loader includes order codes 60AAA &amp; CA108</i> <sup>1</sup> <i>PETERSON RS3 REAR STEER LOADER TRUCK, INCLUDES ORDER CODES 16SDC, 33AVR, 60AAA, &amp; 33108</i> <sup>2</sup> <i>Petersen RS3 rear steer with single joystick control and diagnostic screen in upper cab. Includes order codes 13AVR, 16SDC, 60AAA, &amp; 33108</i> <sup>3</sup>	\$97,500.00 <sup>1</sup>	\$92,515.00 <sup>2</sup>	\$102,209.00 <sup>3</sup>
	Powder coating for utility body	NA	NA	NA
108CA <sup>1</sup> CA108 <sup>2</sup> CA108 <sup>3</sup>	108" cab to axle <i>INCLUDES 120,000 PSI FRAME ( 01CAE &amp; 01WEC )</i> <sup>2</sup> <i>Includes 120,000 PSI frame and factory option codes 01CAE and 01WEH</i> <sup>3</sup>	\$515.00 <sup>1</sup>	\$518.00 <sup>2</sup>	\$494.00 <sup>3</sup>
120CA <sup>1</sup> CA120 <sup>2</sup> CA120 <sup>3</sup>	120" cab to axle <i>INCLUDES 120,000 PSI FRAME ( 01CAE &amp; 01WEC )</i> <sup>2</sup> <i>Includes 120,000 PSI frame and factory option codes 01CAE and 01WEH</i> <sup>3</sup>	\$780.00 <sup>1</sup>	\$780.00 <sup>2</sup>	\$494.00 <sup>3</sup>
138CA <sup>1</sup> CA138 <sup>2</sup> CA138 <sup>3</sup>	138" cab to axle <i>INCLUDES 120,000 PSI FRAME ( 01CAE &amp; 01WEC )</i> <sup>2</sup> <i>Includes 120,000 PSI frame and factory option codes 01CAE and 01WEJ</i> <sup>3</sup>	\$780.00 <sup>1</sup>	\$789.00 <sup>2</sup>	\$812.00 <sup>3</sup>
1156CA <sup>1</sup> CA156 <sup>2</sup> CA156 <sup>3</sup>	156" cab to axle <i>INCLUDES 120,000 PSI FRAME ( 01CAE, 01WEC &amp; 01SAL )</i> <sup>2</sup> <i>Includes 120,000 PSI frame and factory option codes 01CAE,01WEJ,and 01WEJ</i> <sup>3</sup>	\$900.00 <sup>1</sup>	\$906.00 <sup>2</sup>	\$921.00 <sup>3</sup>
180CA <sup>1</sup> CA180 <sup>2</sup> CA180 <sup>3</sup>	180" cab to axle <i>INCLUDES 120,000 PSI FRAME ( 01CAE, 01WEC &amp; 01SAL )</i> <sup>2</sup> <i>Includes 120,000 PSI frame and factory option codes 01CAG,01WEJ,and 01WEJ</i> <sup>3</sup>	\$1,050.00 <sup>1</sup>	\$1,100.00 <sup>2</sup>	\$1,238.00 <sup>3</sup>
186CA <sup>1</sup> CA186 <sup>2</sup> CA186 <sup>3</sup>	186" cab to axle <i>INCLUDES 120,000 PSI FRAME ( 01CAE, 01WEC &amp; 01SAL )</i> <sup>2</sup> <i>Includes 120,000 PSI frame and factory option codes 01CAG,01WEJ,and 01WEJ</i> <sup>3</sup>	\$1,050.00 <sup>1</sup>	\$1,100.00 <sup>2</sup>	\$1,238.00 <sup>3</sup>
33GVWR <sup>1</sup> 33AVJ <sup>2</sup> 33AVJ <sup>3</sup>	33,000 GVWR Pck. - minimum 230 HP, 5 speed automatic transmission (3000RDS), or approved equivalent - see optional wheelbase prices <i>INCLUDES ISB 240 HP CUMMINS ENGINE</i> <sup>2</sup> <i>Includes factory option codes 01CAE, 02ASC, 03ADC, 13AVJ, &amp; 13WLP. Includes order code 12EES.</i> <sup>3</sup>	\$6,900.00 <sup>1</sup>	\$5,010.00 <sup>2</sup>	\$7,014.00 <sup>3</sup>
33GVWR5 <sup>1</sup> 33AVG <sup>2</sup> 33AVG <sup>3</sup>	33,000 GVWR Pck. - minimum 230 HP, 5 speed automatic transmission (3500RDS), or approved equivalent - see optional wheelbase prices <i>INCLUDES ISB 240 HP CUMMINS ENGINE</i> <sup>2</sup> <i>Includes factory option codes 01CAE, 02ASC, 03ADC, 13AVG &amp; 13WLP. Includes order code 12EES.</i> <sup>3</sup>	\$6,900.00 <sup>1</sup>	\$5,080.00 <sup>2</sup>	\$7,014.00 <sup>3</sup>

<b>VEHICLE:</b>	Durastar			
<b>DEALER:</b>	Maudlin International Trucks, LLC	Maudlin International Trucks, LLC	Sun State International Trucks	Rechtien International Trucks, Inc
<b>ZONE:</b>	Western	Northern	Central	Southern
<b>BASE PRICE:</b>	\$62,200.00	\$61,200.00	\$58,782.00	\$58,783.00

33GVWR6 <sup>1</sup> 33AVR <sup>2</sup> 33AVR <sup>3</sup>	33,000 GVWR Pck. - minimum 230 HP, 6 speed automatic transmission (3000RDS), or approved equivalent - see optional wheelbase prices <i>INCLUDES ISB 240 HP CUMMINS ENGINE<sup>2</sup></i> <i>Includes factory option codes 01CAE, 02ASC, 03ADC, &amp; 13WLP. Includes order codes 12EES &amp; 13AVR.<sup>3</sup></i>	\$6,900.00 <sup>1</sup>	\$5,125.00 <sup>2</sup>	\$7,014.00 <sup>3</sup>
33GVWR6 <sup>1</sup> 33AVL <sup>2</sup> 33AVL <sup>3</sup>	33,000 GVWR Pck. - minimum 230 HP, 6 speed automatic transmission (3500RDS), or approved equivalent - see optional wheelbase prices <i>INCLUDES ISB 240 HP CUMMINS ENGINE<sup>2</sup></i> <i>Includes factory option codes 01CAE, 02ASC, 03ADC, &amp; 13WLP. Includes order codes 12EES &amp; 13AVL.<sup>3</sup></i>	\$6,900.00 <sup>1</sup>	\$5,195.00 <sup>2</sup>	\$7,014.00 <sup>3</sup>
SR51153 <sup>1</sup> SR51533L <sup>2</sup> SR51533K <sup>3</sup>	33,000 GVWR factory approved 4WD <i>Workstar<sup>1</sup></i> <i>WORKSTAR 4 X4 INCLUDES ALLISON 3000 RDS TRANSMISSION<sup>2</sup></i> <i>Factory 4x4. Includes order code SA615 Workstar model upgrade and factory option codes 01CAG, 02EZK, 02ADC, &amp; 13TKH. Includes order codes 04EBT, 12EES, and 16VHG.<sup>3</sup></i>	\$36,000.00 <sup>1</sup>	\$36,121.00 <sup>2</sup>	\$36,507.00 <sup>3</sup>
33108 <sup>1</sup> 33108 <sup>2</sup> 33108 <sup>3</sup>	33,000 GVWR 108" CA <i>INCLUDES 120,000 PSI FRAME ( 01CAH) 21.05 SECTION MODULES<sup>2</sup></i> <i>Includes 120,000 Psi frame rail and factory option codes 01CAH &amp; 01WEH<sup>3</sup></i>	\$1,000.00 <sup>1</sup>	\$1,026.00 <sup>2</sup>	\$994.00 <sup>3</sup>
33120 <sup>1</sup> 33120 <sup>2</sup> 33120 <sup>3</sup>	33,000 GVWR 120" CA <i>INCLUDES 120,000 PSI FRAME ( 01CAH, 01WEG ) 21.05 SECTION MODULES<sup>2</sup></i> <i>Includes 120,000 Psi frame rail and factory option codes 01CAH &amp; 01WEH<sup>3</sup></i>	\$1,275.00 <sup>1</sup>	\$1,300.00 <sup>2</sup>	\$994.00 <sup>3</sup>
33156 <sup>1</sup> 33156 <sup>2</sup> 33156 <sup>3</sup>	33,000 GVWR 156" CA <i>INCLUDES 120,000 PSI FRAME ( 01CAH, 01WEG, 01SAL) 21.05 SECTION MODULES<sup>2</sup></i> <i>Includes 120,000 Psi frame rail and factory option codes 01CAH, 01SAL &amp; 01WEJ<sup>3</sup></i>	\$1,400.00 <sup>1</sup>	\$1,416.00 <sup>2</sup>	\$1,402.00 <sup>3</sup>
33180 <sup>1</sup> 33180 <sup>2</sup> 33180 <sup>3</sup>	33,000 GVWR 180" CA <i>INCLUDES 120,000 PSI FRAME ( 01CAH, 01WEJ, 01SAL) 21.05 SECTION MODULES<sup>2</sup></i> <i>Includes 120,000 Psi frame rail and factory option codes 01CAH, 01SAL &amp; 01WEJ<sup>3</sup></i>	\$1,595.00 <sup>1</sup>	\$1,600.00 <sup>2</sup>	\$1,402.00 <sup>3</sup>
33186 <sup>1</sup> 33186 <sup>2</sup> 33186 <sup>3</sup>	33,000 GVWR 186" CA <i>INCLUDES 120,000 PSI FRAME ( 01CAH, 01WEJ, 01SAL) 21.05 SECTION MODULES<sup>2</sup></i> <i>Includes 120,000 Psi frame rail and factory option codes 01CAH, 01SAL &amp; 01WEH<sup>3</sup></i>	\$1,595.00 <sup>1</sup>	\$1,600.00 <sup>2</sup>	\$1,402.00 <sup>3</sup>
35GVW <sup>1</sup> 35AVJ <sup>2</sup> 35AVR <sup>3</sup>	GVWR and CA upgrade - specify <i>35000 GVW package includes 260HP engine and 3000RDS transmission<sup>1</sup></i> <i>35,000 GVWR PACKAGE, INCLUDES CUMMINS ISB 240HP ENGINE AND ALLISON 3000 RDS 6 SPEED TRANSMISSION<sup>2</sup></i> <i>35,000 GVWR with 260 HP Cummins ISB engine. Includes factory option codes 01CAE, 02ASC, 03ADC, 14051 &amp; 13WLP. Includes order codes 12EEU &amp; 13AVR. *****Available with order code 13AVL - no charge<sup>3</sup></i>	\$8,750.00 <sup>1</sup>	\$5,845.00 <sup>2</sup>	\$9,686.00 <sup>3</sup>

VEHICLE:	Durastar				
DEALER:	Maudlin International Trucks, LLC	Maudlin International Trucks, LLC	Sun State International Trucks	Rechtien International Trucks, Inc	
ZONE:	Western	Northern	Central	Southern	
BASE PRICE:	\$62,200.00	\$61,200.00	\$58,782.00	\$58,783.00	
37GVW <sup>1</sup> 35NUN <sup>2</sup> 37AVR <sup>3</sup>	GVWR and CA upgrade - specify 37000 GVW package includes 280HP engine and 3000RDS transmission <sup>1</sup> 35,000 GVWR PACKAGE, INCLUDES NAVISTAR N9 ENGINE 275HP AND ALLISON 3000 RDS 6 SPEED TRANSMISSION <sup>2</sup> 37,000 GVWR with 300 HP Cummins ISB engine. Includes factory option codes 01CAE, 02AST, 03ADD, 14051, 13WLP, 27DLP, & 7792545416. Includes order codes 12EEW & 13AVR. *****Available with order code 13AVL - no charge <sup>3</sup>		\$11,250.00 <sup>1</sup>	\$12,174.00 <sup>2</sup>	\$11,747.00 <sup>3</sup>
37AVJ <sup>2</sup> 35NWK <sup>3</sup>	GVWR and CA upgrade - specify 37,000 GVWR PACKAGE, INCLUDES CUMMINS ISB 240HP ENGINE AND ALLISON 3000 RDS 6 SPEED TRANSMISSION <sup>2</sup> 35,000 GVWR with 275 HP Navistar N9 engine. Includes factory option codes 01CAE, 02ARW, 03ADC, 14051 & 13WLP. Includes order codes 12NWK & 13AVR. *****Available with order code 13AVL - no charge <sup>3</sup>		NA	\$5,885.00 <sup>2</sup>	\$14,370.00 <sup>3</sup>
37NUN <sup>2</sup> 37NWC <sup>3</sup>	GVWR and CA upgrade - specify 37,000 GVWR PACKAGE, INCLUDES NAVISTAR N9 ENGINE 275HP AND ALLISON 3000 RDS 6 SPEED TRANSMISSION <sup>2</sup> 37,000 GVWR with 300 HP Navistar N9 engine. Includes factory option codes 01CAE, 02ARV, 03ADD, 14051, 13WLP, 27DLP, & 7792545416. Includes order codes 12NWC & 13AVR. *****Available with order code 13AVL - no charge <sup>3</sup>		NA	\$12,586.00 <sup>2</sup>	\$15,185.00 <sup>3</sup>
39NUP <sup>2</sup> 33EEU <sup>3</sup>	GVWR and CA upgrade - specify 39,000 GVWR PACKAGE, INCLUDES NAVISTAR N9 ENGINE 275HP AND ALLISON 3000 RDS 6 SPEED TRANSMISSION <sup>2</sup> 33,000 GVWR with 260 HP Cummins ISB engine. Includes factory option codes 01CAE, 02ASC, 03ADC, 13AVG & 13WLP. Includes order code 12EEU. *****Available with order code 13AVL - no charge <sup>3</sup>		NA	\$18,546.00 <sup>2</sup>	\$8,599.00 <sup>3</sup>
39NUT <sup>2</sup> 35EEW <sup>3</sup>	GVWR and CA upgrade - specify 39,000 GVWR PACKAGE, INCLUDES NAVISTAR N9 ENGINE 300HP AND ALLISON 3000 RDS 6 SPEED TRANSMISSION <sup>2</sup> 35,000 GVWR with 300 HP Cummins ISB engine. Includes factory option codes 01CAE, 02ASC, 03ADC, 14051 & 13WLP. Includes order codes 12EEW & 13AVR. *****Available with order code 13AVL - no charge <sup>3</sup>		NA	\$18,945.00 <sup>2</sup>	\$9,932.00 <sup>3</sup>
33NWK <sup>3</sup>	GVWR and CA upgrade - specify 33,000 GVWR with 275 HP Navistar N9 engine. Includes factory option codes 01CAE, 02ARW, 03ADC, & 13WLP. Includes order codes 12NWK & 13AVR. *****Available with order code 13AVL - no charge <sup>3</sup>		NA	NA	\$13,815.00 <sup>3</sup>
37NWE <sup>3</sup>	GVWR and CA upgrade - specify 37,000 GVWR with 330 HP Navistar N9 engine. Includes factory option codes 01CAE, 02ARV, 03ADD, 14051, 13WLP, 27DLP, & 7792545416. Includes order codes 12NWE & 13AVR. *****Available with order code 13AVL - no charge <sup>3</sup>		NA	NA	\$16,390.00 <sup>3</sup>
Walt20 <sup>1</sup> 2KLG <sup>2</sup> 2KLG <sup>3</sup>	2,000 lb. lift gate		\$3,950.00 <sup>1</sup>	\$3,730.00 <sup>2</sup>	\$3,895.00 <sup>3</sup>
Walt30 <sup>1</sup> 3KLG <sup>2</sup> 3KLG <sup>3</sup>	3,000 lb. lift gate		\$7,000.00 <sup>1</sup>	\$4,140.00 <sup>2</sup>	\$5,740.00 <sup>3</sup>
12JCK <sup>2</sup>	12 ton jack cab mounted, if available		NA	\$375.00 <sup>2</sup>	NA

VEHICLE:	Durastar			
DEALER:	Maudlin International Trucks, LLC	Maudlin International Trucks, LLC	Sun State International Trucks	Rechtien International Trucks, Inc
ZONE:	Western	Northern	Central	Southern
BASE PRICE:	\$62,200.00	\$61,200.00	\$58,782.00	\$58,783.00
AC50K <sup>1</sup> 11CRB <sup>2</sup> 6132HH <sup>3</sup>	Auto Crane 50K-22 crane body with shelf package, 24" bumper with crank outriggers, or approved equivalent <i>CRANK OUTRIGGERS, OR APPROVED EQUIVALENT, KNAPHEIDE OR EQUAL 11' CRANE BODY WITH 21' BUMPER AND MANUAL OUTRIGGERS.</i> <sup>2</sup> <i>11' Knapheide crane body</i> <sup>3</sup>	\$23,950.00 <sup>1</sup>	\$19,042.00 <sup>2</sup>	\$34,041.00 <sup>3</sup>
AC60EH <sup>1</sup> EC6000 <sup>2</sup>	Auto Crane 6006EH electric hydraulic crane, boom support & chassis springs, or approved equivalent <i>STELLAR EC6000 OR EQUAL ELECTRIC OVER HYDRAULIC CRANE, REQUIRES CRANE RATED BODY</i> <sup>2</sup>	\$22,500.00 <sup>1</sup>	\$18,174.00 <sup>2</sup>	NA
ACHR <sup>1</sup> OUTR <sup>2</sup>	Auto Crane hydraulic outriggers, or approved equivalent <i>STELLAR OR EQUAL FULLY HYDRAULIC OUTRIGGERS</i> <sup>2</sup>	\$6,200.00 <sup>1</sup>	\$5,879.00 <sup>2</sup>	NA
ACHC7 <sup>1</sup> 7621 <sup>2</sup> ST7621 <sup>3</sup>	Auto Crane 6406 hydraulic crane, reservoir, PTO and pump, boom support & chassis springs, or approved equivalent <i>STELLAR 7621 OR EQUAL HYDRAULIC CRANE, REQUIRES CRANE RATED BODY</i> <sup>2</sup> <i>Stellar 7621 hydraulic crane</i> <sup>3</sup>	\$26,500.00 <sup>1</sup>	\$25,586.00 <sup>2</sup>	\$23,060.00 <sup>3</sup>
ACHC8 <sup>1</sup> 9621 <sup>2</sup> ST10621 <sup>3</sup>	Auto Crane 8406 hydraulic crane, reservoir, PTO and pump, boom support & chassis springs, or approved equivalent <i>STELLAR 9621 OR EQUAL HYDRAULIC CRANE WITH REMOTE CONTROL REQUIRES CRANE RATED BODY</i> <sup>2</sup> <i>Stellar 10621 hydraulic crane</i> <sup>3</sup>	\$29,500.00 <sup>1</sup>	\$26,163.00 <sup>2</sup>	\$26,157.00 <sup>3</sup>
8THB <sup>1</sup> 8THB <sup>2</sup> 08THB <sup>3</sup>	Backup alarm - Factory Installed	\$115.00 <sup>1</sup>	\$110.00 <sup>2</sup>	\$113.00 <sup>3</sup>
DLRBU <sup>1</sup> DLRBC <sup>2</sup> DLRBA <sup>3</sup>	Backup alarm - Dealer Installed	\$150.00 <sup>1</sup>	\$120.00 <sup>2</sup>	\$120.00 <sup>3</sup>
	Backup camera with 3.5" LCD (rear mounted camera to provide wide angle field of vision at rear of vehicle) - Factory Installed	NA	NA	NA
BUC <sup>1</sup> BUC <sup>2</sup> BUC <sup>3</sup>	Backup camera with 3.5" LCD (rear mounted camera to provide wide angle field of vision at rear of vehicle) - Dealer Installed	\$1,550.00 <sup>1</sup>	\$1,250.00 <sup>2</sup>	\$980.00 <sup>3</sup>
16SDC <sup>1</sup> 16SCD <sup>2</sup> 16SDC <sup>3</sup>	Optional equipment - specify <i>Exterior grab handles add \$226.00 for crew cab</i> <sup>1</sup> <i>EXTERIOR GRAB HANDLES - 2 DOOR CAB, FOR 4 DOOR CAB ( 16196) USE ORDER CODE 16SDD ADD \$472</i> <sup>2</sup> <i>Exterior grab handle(s) for use with standard cab. Use order code 16SDD for 4-door cab (includes 16SDC) - cost \$444.00 Not available with 16CAB extened cab.</i> <sup>3</sup>	\$226.00 <sup>1</sup>	\$235.00 <sup>2</sup>	\$222.00 <sup>3</sup>
8XAH <sup>1</sup> 7BEP <sup>2</sup> 07BEP <sup>3</sup>	Optional equipment - specify <i>Circuit breakers</i> <sup>1</sup> <i>HORIZONTAL AFTERTREATMENT DEIVER WITH VERTICAL TAILPIPE</i> <sup>2</sup> <i>Switchback Horizontal Aftertreatment Device, Frame Mounted Right Side Under Cab; Includes Single VERTICAL TAIL PIPE, Frame Mounted Right Side Back of Cab</i> <sup>3</sup>	\$90.00 <sup>1</sup>	\$1,230.00 <sup>2</sup>	\$876.00 <sup>3</sup>

<b>VEHICLE:</b>	Durastar			
<b>DEALER:</b>	Maudlin International Trucks, LLC	Maudlin International Trucks, LLC	Sun State International Trucks	Rechtien International Trucks, Inc
<b>ZONE:</b>	Western	Northern	Central	Southern
<b>BASE PRICE:</b>	\$62,200.00	\$61,200.00	\$58,782.00	\$58,783.00

60AAA <sup>1</sup> 8WPP <sup>2</sup> 08WPP <sup>3</sup>	Optional equipment - specify RPM <sup>1</sup> <b>AUTOMATIC ENGINE SHUTDOWN SYSTEM FOR LOW OIL PRESSURE OR HIGH COLLANT TEMPERATURE<sup>2</sup></b> For use with Navistar engines only. Available on Cummins ISB engines at no charge - notify dealer if required at time of order. <sup>3</sup>	\$655.00 <sup>1</sup>	\$140.00 <sup>2</sup>	<del>\$138.00<sup>3</sup></del> No Charge
LEDPKG <sup>1</sup> 8718 <sup>2</sup> 08718 <sup>3</sup>	Optional equipment - specify LED package <sup>1</sup> <b>AUXILIARY POWER SOURCE- CIGAR LIGHTER TYPE RECEPTACLE<sup>2</sup></b> Auxiliary power source - cigar type receptacle without plug & cord <sup>3</sup>	\$540.00 <sup>1</sup>	\$20.00 <sup>2</sup>	\$28.00 <sup>3</sup>
7SCP <sup>1</sup> 60AAA <sup>2</sup> 60AAA <sup>3</sup>	Optional equipment - specify Engine exhaust break Cummins ISB <sup>1</sup> <b>REMOTE POWER MODULE FOR BODY BUILDER INTERFACE<sup>2</sup></b> Remote power module for body builder interface - 6-inputs and 6-outputs with switches on the dash. <sup>3</sup>	\$180.00 <sup>1</sup>	\$570.00 <sup>2</sup>	\$649.00 <sup>3</sup>
8WRP <sup>1</sup> LEDPKG <sup>2</sup> LEDPKG <sup>3</sup>	Optional equipment - specify Head lights on with wipers <sup>1</sup> <b>LED LIGHT PACKAGE INCLUDES MARKER LIGHTS, TAIL LIGHTS, BRAKE LIGHTS, AND TAG LIGHTS<sup>2</sup></b> LED lighting package for Body and cab & chassis. Includes factory option codes 08TRS, 08WPH, and 08XGT <sup>3</sup>	\$22.00 <sup>1</sup>	\$546.00 <sup>2</sup>	\$517.00 <sup>3</sup>
8WPZ <sup>1</sup> 7SCP <sup>2</sup> 08XAH <sup>3</sup>	Optional equipment - specify Test exterior lights <sup>1</sup> <b>ENGINE EXHAUST BRAKE<sup>2</sup></b> Manual-Reset Circuit Breakers (Main Panel) SAE Type III With Trip Indicators, Replaces All Fuses Except For 5-Amp Fuses. <sup>3</sup>	\$40.00 <sup>1</sup>	\$180.00 <sup>2</sup>	\$93.00 <sup>3</sup>
7SCZ <sup>1</sup> 8WRP <sup>2</sup> 08WRP <sup>3</sup>	Optional equipment - specify International N9 exhaust break <sup>1</sup> <b>HEADLIGHTS ON WITH WIPERS<sup>2</sup></b> Headlights on with wipers - automatically <sup>3</sup>	\$653.00 <sup>1</sup>	\$20.00 <sup>2</sup>	\$21.00 <sup>3</sup>
8HAE <sup>1</sup> 8HAB <sup>2</sup> 08WXB <sup>3</sup>	Optional equipment - specify Body builder wiring end of frame <sup>1</sup> <b>BODY BUILDER INTERFACE WIRING FOR LIGHTS<sup>2</sup></b> <b>HEADLIGHT WARNING BUZZER - Sounds when headlights are on and ignition switch is in the off position.<sup>3</sup></b>	\$200.00 <sup>1</sup>	\$90.00 <sup>2</sup>	\$46.00 <sup>3</sup>
8WPP <sup>1</sup> 8WPZ <sup>2</sup> 08WPZ <sup>3</sup>	Optional equipment - specify Auto engine shut down International engines only <sup>1</sup> <b>TEST EXTERIOR LIGHTS PRE TRIP EXTERIOR LIGHT INSPECTION, FLASHES VEHICLE LIGHTS IN A SPECIFICE SEQUENECE FOR WALK AROUND INSPECTION<sup>2</sup></b> Test Exterior Lights - pre-trip exterior light inspection flashes vehicle lights in a specific sequence for walk around inspection. <sup>3</sup>	\$147.00 <sup>1</sup>	\$40.00 <sup>2</sup>	\$39.00 <sup>3</sup>
Temp <sup>1</sup>	Temporary tag	\$15.00 <sup>1</sup>	NA	NA
Transfer <sup>1</sup> TRANS TAG <sup>2</sup> TRANSTAG <sup>3</sup>	Transfer existing registration (must provide tag number)	\$95.00 <sup>1</sup>	\$95.00 <sup>2</sup>	\$95.00 <sup>3</sup>

<b>VEHICLE:</b>	Durastar			
<b>DEALER:</b>	Maudlin International Trucks, LLC	Maudlin International Trucks, LLC	Sun State International Trucks	Rechtien International Trucks, Inc
<b>ZONE:</b>	Western	Northern	Central	Southern
<b>BASE PRICE:</b>	\$62,200.00	\$61,200.00	\$58,782.00	\$58,783.00

Newtag <sup>1</sup> NEW TAG <sup>2</sup> NEWTAG <sup>3</sup>	New state tag (specify state, county, city, sheriff, etc.)	\$150.00 <sup>1</sup>	\$150.00 <sup>2</sup>	\$175.00 <sup>3</sup>
40LNK <sup>1</sup>	Maintenance Plan - specify 36 months 150K mile vehicle warranty excludes engine and transmission <sup>1</sup>	\$1,520.00 <sup>1</sup>	NA	NA
40LNP <sup>1</sup>	Maintenance Plan - specify 48 months 150K mile vehicle warranty excludes engine and transmission <sup>1</sup>	\$2,000.00 <sup>1</sup>	NA	NA
40LNV <sup>1</sup>	Maintenance Plan - specify 60 months 150K mile vehicle warranty excludes engine and transmission <sup>1</sup>	\$2,500.00 <sup>1</sup>	NA	NA
40LNK <sup>2</sup> 040LNK <sup>3</sup>	Warranty - specify EXTENDED VEHICLE COVERAGE 36 MONTHS OR 150,000, EXCLUDES ENGINE & TRANSMISSION <sup>2</sup> <i>Extended Vehicle Coverage - 36 Months or 150,000 Miles. Excludes Engine, Exhaust After-Treatment, and Transmission. For SA615 use order code 040LPH - Price \$1,950.00<sup>3</sup></i>	NA	\$1,520.00 <sup>2</sup>	\$1,170.00 <sup>3</sup>
40LNP <sup>2</sup> 040LNP <sup>3</sup>	Warranty - specify EXTENDED VEHICLE COVERAGE 48 MONTHS OR 150,000, EXCLUDES ENGINE & TRANSMISSION <sup>2</sup> <i>Extended Vehicle Coverage - 48 Months or 150,000 Miles. Excludes Engine, Exhaust After-Treatment, and Transmission. For SA615 use order code 040LPH - Price \$2,580.00<sup>3</sup></i>	NA	\$1,950.00 <sup>2</sup>	\$1,545.00 <sup>3</sup>
Allison <sup>1</sup> 40LNV <sup>2</sup> 040LNV <sup>3</sup>	Warranty - specify Allison 5 year warranty <sup>1</sup> EXTENDED VEHICLE COVERAGE 60 MONTHS OR 150,000, EXCLUDES ENGINE & TRANSMISSION <sup>2</sup> <i>Extended Vehicle Coverage - 60 Months or 150,000 Miles. Excludes Engine, Exhaust After-Treatment, and Transmission. For SA615 use order code 040LPS - Price \$3,315.00<sup>3</sup></i>	\$1,750.00 <sup>1</sup>	\$2,500.00 <sup>2</sup>	\$1,950.00 <sup>3</sup>
40KDK <sup>1</sup> 40KDK <sup>2</sup> 040KDK <sup>3</sup>	Diesel Warranty - specify Cummins PPI 36 months 150K mile engine warranty <sup>1</sup> EXTENDED ENGINE SERVICE CONTRACT 36 MONTHS OR 150,000 MILES <sup>2</sup> <i>Extended Engine Coverage for Cummins ISB. 36 Months or 150,000 Miles. Includes Exhaust After-Treatment system factory option code 40KGJ. Extended Engine Coverage for Navistar N9. 36 Months, 150,000 Miles, or 5,400 hours use order code 40LBR - Price \$2,160.00. Includes Exhaust After-Treatment system<sup>3</sup></i>	\$1,750.00 <sup>1</sup>	\$1,700.00 <sup>2</sup>	\$2,080.00 <sup>3</sup>
40KDL <sup>1</sup> 40KDL <sup>2</sup> 040KDL <sup>3</sup>	Diesel Warranty - specify Cummins PPI 48 months 150K mile engine warranty <sup>1</sup> EXTENDED ENGINE SERVICE CONTRACT 48 MONTHS OR 150,000 MILES <sup>2</sup> <i>Extended Engine Coverage for Cummins ISB. 48 Months or 150,000 Miles. Includes Exhaust After-Treatment system factory option code 40KGG. Extended Engine Coverage for Navistar N9. 48 Months, 150,000 Miles, or 5,400 hours use order code 40LBW - Price \$3,900.00 Includes Exhaust After-Treatment system factory option code 040KVE.<sup>3</sup></i>	\$2,050.00 <sup>1</sup>	\$2,000.00 <sup>2</sup>	\$2,400.00 <sup>3</sup>
40KDS <sup>1</sup> 40KDS <sup>2</sup> 040KDS <sup>3</sup>	Diesel Warranty - specify Cummins PPI 60 months 150K mile engine warranty <sup>1</sup> EXTENDED ENGINE SERVICE CONTRACT 60 MONTHS OR 150,000 MILES <sup>2</sup> <i>Extended Engine Coverage for Cummins ISB. 60 Months or 150,000 Miles. Includes Exhaust After-Treatment system factory option code 40KGC. Extended</i>	\$2,350.00 <sup>1</sup>	\$2,300.00 <sup>2</sup>	\$2,760.00 <sup>3</sup>

<b>VEHICLE:</b>	Durastar			
<b>DEALER:</b>	Maudlin International Trucks, LLC	Maudlin International Trucks, LLC	Sun State International Trucks	Rechtien International Trucks, Inc
<b>ZONE:</b>	Western	Northern	Central	Southern
<b>BASE PRICE:</b>	\$62,200.00	\$61,200.00	\$58,782.00	\$58,783.00

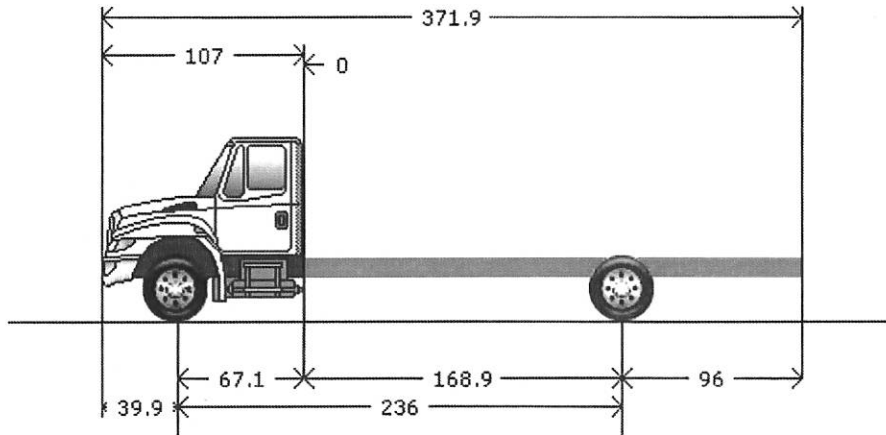
*Engine Coverage for Navistar N9. 60 Months, 150,000 Miles, or 5,400 hours use order code 40LCC - Price \$4,725.00. Includes Exhaust After-Treatment system factory option code code 040KVM. <sup>3</sup>*



**Prepared For:**  
 City of Hollywood  
 Joel Wall  
 2600 Hollywood Blvd.  
 Hollywood, FL 33020-4800  
 (954)921 - 3290  
 Reference ID: # 12 TL3-18

**Presented By:**  
 RECHTIEN INTERNATIONAL TRUCKS, INC.  
 John W Bradley  
 3787 INTERSTATE PARK ROAD  
 RIVIERA BEACH FL 33404 -  
 (866)882-9050

Thank you for the opportunity to provide you with the following quotation on a new International truck. I am sure the following detailed specification will meet your operational requirements, and I look forward to serving your business needs.



**Model Profile**  
**2017 4300 SBA 4X2 (MA025)**

<b>MISSION:</b>	Requested GVWR: 33000. Calc. GVWR: 33000
<b>DIMENSION:</b>	Wheelbase: 236.00, CA: 168.90, Axle to Frame: 96.00
<b>ENGINE, DIESEL:</b>	{Cummins ISB 240} EPA 2010, 240 HP @ 2400 RPM, 560 lb-ft Torque @ 1600 RPM, 2600 RPM Governed Speed, 240 Peak HP (Max)
<b>TRANSMISSION, AUTOMATIC:</b>	{Allison 3000_RDS_P} 5th Generation Controls; Close Ratio, 5-Speed, With Overdrive; On/Off Hwy; Includes Oil Level Sensor, With PTO Provision, Less Retarder, With 80,000-lb GVW & GCW Max.
<b>CLUTCH:</b>	Omit Item (Clutch & Control)
<b>AXLE, FRONT NON-DRIVING:</b>	{Meritor MFS-12-122A} I-Beam Type, 12,000-lb Capacity
<b>AXLE, REAR, SINGLE:</b>	{Meritor MS-21-14X-3DFL} Single Reduction, 21,000-lb Capacity, 190 Wheel Ends Gear Ratio: 5.86
<b>CAB:</b>	Conventional
<b>TIRE, FRONT:</b>	(2) 11R22.5 HSR2 (CONTINENTAL) 498 rev/mile, load range G, 14 ply
<b>TIRE, REAR:</b>	(4) 11R22.5 HSR2 (CONTINENTAL) 498 rev/mile, load range G, 14 ply
<b>SUSPENSION, RR, SPRING, SINGLE:</b>	Vari-Rate; 23,500-lb Capacity, With 4500 lb Auxiliary Rubber Spring
<b>PAINT:</b>	Cab schematic 100GA Location 1: 9219, Winter White (Std) Chassis schematic N/A

**Description**

Base Chassis, Model 4300 SBA 4X2 with 236.00 Wheelbase, 168.90 CA, and 96.00 Axle to Frame.

TOW HOOK, FRONT (2) Frame Mounted

FRAME RAILS Heat Treated Alloy Steel (120,000 PSI Yield); 10.375" x 3.705" x 0.438" (263.5mm x 94.1mm x 11.1mm); 456.0" (11582mm) Maximum OAL

BUMPER, FRONT Full Width, Aerodynamic, Steel; 0.142" Material Thickness

**Includes**

: BUMPER, FRONT Powder Coated Gray (Argent) Color

CROSSMEMBER, REAR, AF (1)

WHEELBASE RANGE 199" (505cm) Through and Including 254" (645cm)

AXLE, FRONT NON-DRIVING {Meritor MFS-12-122A} I-Beam Type, 12,000-lb Capacity

**Notes**

: The following features should be considered when calculating Front GAWR: Front Axles; Front Suspension; Brake System; Brakes, Front Air Cam; Wheels; Tires.

SUSPENSION, FRONT, SPRING Parabolic, Taper Leaf; 12,000-lb Capacity; With Shock Absorbers

**Includes**

: SPRING PINS Rubber Bushings, Maintenance-Free

**Notes**

: The following features should be considered when calculating Front GAWR: Front Axles; Front Suspension; Brake System; Brakes, Front Air Cam; Wheels; Tires.

BRAKE SYSTEM, AIR Dual System for Straight Truck Applications

**Includes**

: BRAKE LINES Color and Size Coded Nylon

: DRAIN VALVE Twist-Type

: GAUGE, AIR PRESSURE (2) Air 1 and Air 2 Gauges; Located in Instrument Cluster

: PARKING BRAKE CONTROL Yellow Knob, Located on Instrument Panel

: PARKING BRAKE VALVE For Truck

: QUICK RELEASE VALVE Bendix On Rear Axle for Spring Brake Release: 1 for 4x2, 2 for 6x4

: SLACK ADJUSTERS, FRONT Automatic

: SLACK ADJUSTERS, REAR Automatic

: SPRING BRAKE MODULATOR VALVE R-7 for 4x2, SR-7 with relay valve for 6x4

**Notes**

: Front and Rear Dust Shields not Included

: Rear Axle is Limited to 19,000-lb GAWR with Code 04091 BRAKE SYSTEM, AIR and Code 04NCL BRAKES, REAR, AIR CAM Regardless of Axle/Suspension Ordered.

: Rear Axle is Limited to 20,000-lb GAWR with Code 04091 BRAKE SYSTEM, AIR and Code 04NCG BRAKES, REAR, AIR CAM Regardless of Axle/Suspension Ordered.

: Rear Axle is Limited to 23,000-lb GAWR with Code 04091 BRAKE SYSTEM, AIR and Standard Rear Air Cam Brakes Regardless of Axle/Suspension Ordered.

AIR BRAKE ABS {Bendix AntiLock Brake System} Full Vehicle Wheel Control System (4-Channel)

AIR DRYER {Bendix AD-IP} With Heater

**Includes**

: AIR DRYER LOCATION Inside Left Rail, Back of Cab

BRAKE CHAMBERS, FRONT AXLE {Bendix} 20 SqIn

BRAKE CHAMBERS, REAR AXLE {Bendix EverSure} 30/30 Spring Brake

BRAKES, FRONT, AIR CAM S-Cam; 16.5" x 5.0"; Includes 20 Sq. In. Long Stroke Brake Chambers

DescriptionNotes

: Front Axle with 14,000-lb GAWR is Limited to 13,200-lb GAWR when used in Conjunction with 15" BRAKES, FRONT, AIR CAM.  
: The following features should be considered when calculating Front GAWR: Front Axles; Front Suspension; Brake System; Brakes, Front Air Cam; Wheels; Tires.

BRAKES, REAR, AIR CAM S-Cam; 16.5" x 7.0"; Includes 30/30 Sq.In. Long Stroke Brake Chamber and Spring Actuated Parking Brake

Notes

: The following features should be considered when calculating Front GAWR: Front Axles; Front Suspension; Brake System; Brakes, Front Air Cam; Wheels; Tires.

AIR COMPRESSOR {Cummins} 18.7 CFM Capacity

AIR DRYER LOCATION Mounted Outside Right Rail, Forward of Front Wheel

STEERING COLUMN Stationary

STEERING WHEEL 2-Spoke, 18" Diam., Black

STEERING GEAR {Sheppard M-100} Power

EXHAUST SYSTEM Inline, Horizontal Aftertreatment Device Frame Mounted Right Side, Includes Short Horizontal Tail Pipe

ELECTRICAL SYSTEM 12-Volt, Standard Equipment

Includes

: BATTERY BOX Steel  
: DATA LINK CONNECTOR For Vehicle Programming and Diagnostics In Cab  
: FUSES, ELECTRICAL SAE Blade-Type  
: HAZARD SWITCH Push On/Push Off, Located on Top of Steering Column Cover  
: HEADLIGHT DIMMER SWITCH Integral with Turn Signal Lever  
: JUMP START STUD Located on Positive Terminal of Outermost Battery  
: PARKING LIGHT Integral with Front Turn Signal and Rear Tail Light  
: STARTER SWITCH Electric, Key Operated  
: STOP, TURN, TAIL & B/U LIGHTS Dual, Rear, Combination with Reflector  
: TURN SIGNAL SWITCH Self-Cancelling for Trucks, Manual Cancelling for Tractors, with Lane Change Feature  
: TURN SIGNALS, FRONT Includes Reflectors and Auxiliary Side Turn Signals, Solid State Flashers; Flush Mounted  
: WINDSHIELD WIPER SWITCH 2-Speed with Wash and Intermittent Feature (5 Pre-Set Delays), Integral with Turn Signal Lever  
: WINDSHIELD WIPERS Single Motor, Electric, Cowl Mounted  
: WIRING, CHASSIS Color Coded and Continuously Numbered

POWER SOURCE Cigar Type Receptacle without Plug and Cord

ALTERNATOR {Leece-Neville AVI160P2013} Brush Type; 12 Volt 160 Amp. Capacity, Pad Mount, With Remote Sense

BATTERY SYSTEM {International} Maintenance-Free (2) 12-Volt 1300CCA Total

RADIO {Panasonic CQ120} AM/FM, Includes Multiple Speakers, Includes Auxiliary Input

Includes

: SPEAKERS IN CAB (2) Dual-Cone with Deluxe Interior  
: SPEAKERS IN CAB (4) Coaxial with Premium Interior

HORN, ELECTRIC Disc Style

HORN, AIR Black, Single Trumpet, Air Solenoid Operated

WINDSHIELD WIPER SPD CONTROL Force Wipers to Slowest Intermittent Speed When Park Brake Set and Wipers Left on for a Predetermined Time

HEADLIGHTS Halogen; Composite Aero Design for Two Light System; Includes Daytime Running Lights

TEST EXTERIOR LIGHTS Pre-Trip Inspection will Cycle all Exterior Lamps Except Back-up Lights

HEADLIGHTS ON WWIPERS Headlights Will Automatically Turn on if Windshield Wipers are turned on

**Description**

STARTING MOTOR (Delco Remy 38MT Type 300) 12 Volt; less Thermal Over-Crank Protection

INDICATOR, LOW COOLANT LEVEL With Audible Alarm

HEADLIGHT WARNING BUZZER Sounds When Head Light Switch is on and Ignition Switch is in "Off" Position

ALARM, PARKING BRAKE Electric Horn Sounds in Repetitive Manner When Vehicle Park Brake is "NOT" Set, With Ignition "OFF" and any Door Opened

CIRCUIT BREAKERS Manual-Reset (Main Panel) SAE Type III With Trip Indicators, Replaces All Fuses Except For 5-Amp Fuses

GRILLE Chrome

FRONT END Tilting, Fiberglass, With Three Piece Construction

PAINT SCHEMATIC, PT-1 Single Color, Design 100

**Includes**

: PAINT SCHEMATIC ID LETTERS "GA"

PAINT TYPE Base Coat/Clear Coat, 1-2 Tone

PROMOTIONAL PACKAGE Government and Municipal Silver Package; Two Year Limited Subscription of On-Command Service Information (Formerly Fleet ISIS), and On-Command Parts Information (Formerly Fleet Parts Catalog), Requires Specific Feature Combinations

CLUTCH Omit Item (Clutch & Control)

ANTI-FREEZE Red, Extended Life Coolant; To -34 Degrees F/ -36.7 Degrees C, Freeze Protection

ENGINE, DIESEL {Cummins ISB 240} EPA 2010, 240 HP @ 2400 RPM, 560 lb-ft Torque @ 1600 RPM, 2600 RPM Governed Speed, 240 Peak HP (Max)

FAN DRIVE {Borg-Warner SA85} Viscous Type, Screw On

**Includes**

: FAN Nylon

FEDERAL EMISSIONS {Cummins ISB} EPA, OBD and GHG Certified for Calendar Year 2016

RADIATOR Aluminum; 2-Row, Cross Flow, Over Under System, 717 SqIn Louvered, With 313 SqIn Charge Air Cooler. With In-Tank Transmission Cooler

**Includes**

: DEAERATION SYSTEM with Surge Tank

: HOSE CLAMPS, RADIATOR HOSES Gates Shrink Band Type; Thermoplastic Coolant Hose Clamps

: RADIATOR HOSES Premium, Rubber

AIR CLEANER With Service Protection Element

**Includes**

: GAUGE, AIR CLEANER RESTRICTION Air Cleaner Mounted

THROTTLE, HAND CONTROL Engine Speed Control for PTO; Electronic, Stationary Pre-Set, Two Speed Settings; Mounted on Steering Wheel

OIL PAN 15 Quart Capacity, For Cummins ISB Engines

EMISSION COMPLIANCE Federal, Does Not Comply With California Clean Air Idle Regulations

ENGINE CONTROL, REMOTE MOUNTED Provision for; Includes Wiring for Body Builder Installation of PTO Controls; With Ignition Switch Control for Cummins ISB Engines

TRANSMISSION, AUTOMATIC {Allison 3000\_RDS\_P} 5th Generation Controls; Close Ratio, 5-Speed, With Overdrive; On/Off Hwy; Includes Oil Level Sensor, With PTO Provision, Less Retarder, With 80,000-lb GVW & GCW Max.

TRANSMISSION SHIFT CONTROL {Allison} Push-Button Type; for Allison 3000 & 4000 Series Transmission

Description

TRANSMISSION OIL Synthetic; 29 thru 42 Pints

ALLISON SPARE INPUT/OUTPUT for Rugged Duty Series (RDS); General Purpose Trucks, Construction

SHIFT CONTROL PARAMETERS Allison 3000 or 4000 Series Transmissions, 5th Generation Controls, Performance Programming

AXLE, REAR, SINGLE {Meritor MS-21-14X-3DFL} Single Reduction, 21,000-lb Capacity, 190 Wheel Ends . Gear Ratio: 5.86

Includes

: REAR AXLE DRAIN PLUG (1) Magnetic, For Single Rear Axle

Notes

: The following features should be considered when calculating Rear GAWR: Rear Axles; Rear Suspension; Brake System; Brakes, Rear Air Cam; Brake Shoes, Rear; Special Rating, GAWR; Wheels; Tires.

: When Specifying Axle Ratio, Check Performance Guidelines and TCAPE for Startability and Performance

SUSPENSION, RR, SPRING, SINGLE Vari-Rate; 23,500-lb Capacity, With 4500 lb Auxiliary Rubber Spring

Notes

: The following features should be considered when calculating Rear GAWR: Rear Axles; Rear Suspension; Brake System; Brakes, Rear Air Cam; Brake Shoes, Rear; Special Rating, GAWR; Wheels; Tires.

AXLE, REAR, LUBE {EmGard FE-75W-90} Synthetic Oil; 30 thru 39.99 Pints

FUEL/WATER SEPARATOR Cummins Supplied on Engine, with 12 Volt DC Heater, with Water-in-Fuel Sensor

FUEL TANK Top Draw; D-Style, Non-Polished Aluminum, 16" Tank Depth, 50 U.S. Gal., 189 L Capacity, with Quick Connect Outlet, Mounted Right Side, Under Cab

DEF TANK 7 U.S. Gal. 26.5L Capacity, Frame Mounted Outside Left Rail, Back of Cab

CAB Conventional

Includes

: ARM REST (2) Molded Plastic; One Each Door

: CLEARANCE/MARKER LIGHTS (5) Flush Mounted

: COAT HOOK, CAB Located on Rear Wall, Centered Above Rear Window

: CUP HOLDERS Two Cup Holders, Located in Lower Center of Instrument Panel

: DOME LIGHT, CAB Rectangular, Door Activated and Push On-Off at Light Lens, Timed Theater Dimming, Integral to Console, Center Mounted

: GLASS, ALL WINDOWS Tinted

: GRAB HANDLE, CAB INTERIOR (1) "A" Pillar Mounted, Passenger Side

: GRAB HANDLE, CAB INTERIOR (2) Front of "B" Pillar Mounted, One Each Side

: INTERIOR SHEET METAL Upper Door (Above Window Ledge) Painted Exterior Color

SEAT, PASSENGER Omit Item

GAUGE CLUSTER English With English Electronic Speedometer

Includes

: GAUGE CLUSTER (5) Engine Oil Pressure (Electronic), Water Temperature (Electronic), Fuel (Electronic), Tachometer (Electronic), Voltmeter

: ODOMETER DISPLAY, Miles, Trip Miles, Engine Hours, Trip Hours, Fault Code Readout

: WARNING SYSTEM Low Fuel, Low Oil Pressure, High Engine Coolant Temp, and Low Battery Voltage (Visual and Audible)

IP CLUSTER DISPLAY On Board Diagnostics Display of Fault Codes in Gauge Cluster

GAUGE, DEF FLUID LEVEL

SEAT, FRONT BENCH {National} Full Width; Vinyl, With Fixed Mid Back

GRAB HANDLE (2) Chrome Towel Bar Type With Anti-Slip Rubber Inserts; for Cab Entry, Mounted Left and Right, Each Side at "B" Pillar

MIRRORS (2) {Lang Mekra} Rectangular, Black Heads, Brackets and Arms, Breakaway Type, 7.55" x 14.1" Integral Convex Both Sides, 102" Inside Spacing

**Description**

CAB MOUNTING HEIGHT EFFECTS Mid Cab in Lieu of Low Cab Mounting Height (Approx. 4") With Cab Air Suspension

AIR CONDITIONER {Blend-Air} With Integral Heater & Defroster

**Includes**

: HEATER HOSES Premium  
: HOSE CLAMPS, HEATER HOSE Mubea Constant Tension Clamps  
: REFRIGERANT Hydrofluorocarbon HFC-134A

INSTRUMENT PANEL Center Section, Flat Panel

HVAC FRESH AIR FILTER

STORAGE POCKET, DOOR Molded Plastic, Full Width; Mounted on Passenger Door

FRESH AIR FILTER Attached to Air Intake Cover on Cowl Tray in Front of Windshield Under Hood

CAB INTERIOR TRIM Deluxe

**Includes**

: "A" PILLAR COVER Molded Plastic  
: CAB INTERIOR TRIM PANELS Cloth Covered Molded Plastic, Full Height; All Exposed Interior Sheet Metal is Covered Except for the Following: with a Two-Man Passenger Seat or with a Full Bench Seat the Back Panel is Completely Void of Covering  
: CONSOLE, OVERHEAD Molded Plastic; With Dual Storage Pockets with Retainer Nets and CB Radio Pocket  
: DOOR TRIM PANELS Molded Plastic; Driver and Passenger Doors  
: FLOOR COVERING Rubber, Black  
: HEADLINER Soft Padded Cloth  
: INSTRUMENT PANEL TRIM Molded Plastic with Black Center Section  
: STORAGE POCKET, DOOR (1) Molded Plastic, Full-Length; Driver Door  
: SUN VISOR (2) Padded Vinyl with Driver Side Toll Ticket Strap, Integral to Console

WHEELS, FRONT {Accuride} DISC; 22.5" Painted Steel, 2-Hand Hole, 10-Stud (285.75MM BC) Hub Piloted, Flanged Nut, Metric Mount, 8.25 DC Rims; With Steel Hubs

**Includes**

: PAINT IDENTITY, FRONT WHEELS White

**Notes**

: Compatible Tire Sizes: 11R22.5, 12R22.5, 255/70R22.5, 255/80R22.5, 265/75R22.5, 275/70R22.5, 275/80R22.5, 295/75R22.5, 295/80R22.5

WHEELS, REAR {Accuride} DUAL DISC; 22.5" Painted Steel, 2-Hand Hole, 10-Stud (285.75MM BC) Hub Piloted, Flanged Nut, Metric Mount, 8.25 DC Rims; With Steel Hubs

**Includes**

: PAINT IDENTITY, REAR WHEELS White

**Notes**

: Compatible Tire Sizes: 11R22.5, 12R22.5, 255/70R22.5, 255/80R22.5, 265/75R22.5, 275/70R22.5, 275/80R22.5, 295/75R22.5, 295/80R22.5

WHEEL SEALS, FRONT {International} Oil-Lubricated Wheel Bearings

WHEEL BEARING, FRONT, LUBE {EmGard FE-75W-90} Synthetic Oil

BDY INTG, REMOTE POWER MODULE Mounted Under Cab or On Battery Box; Up to 6 Outputs & 6 Inputs, Max. 20 amp. per Channel, Max. 80 amp. Total (Includes 1 Switch Pack With Latched Switches)

BDY INTG, INDICATOR LIGHTS (2) 1 for Boom Out of Stow, 1 for Outriggers Deployed, Includes Audible Alarm and Interlock to Parking Brake, Programmable Mode for Various Switch Actions (requires 2 Remote Power Module inputs)

BDY INTG, DASH IND. LT RED (1) for Optional Usage Customer to Program

(2) TIRE, FRONT 11R22.5 HSR2 (CONTINENTAL) 498 rev/mile, load range G, 14 ply

Description

(4) TIRE, REAR 11R22.5 HSR2 (CONTINENTAL) 498 rev/mile, load range G, 14 ply

Cab schematic 100GA

Location 1: 9219, Winter White (Std)

Chassis schematic N/A

**Services Section:**

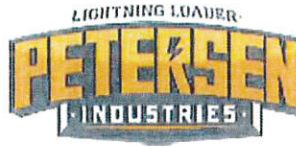
WARRANTY Standard for Durastar 1000/4000 Series, Effective with Vehicles Built January 2, 2015 or Later, CTS-2475P

Petersen TL3 Loader

Petersen Model HDX-1824 Hardox body

SAFETY - Fire extinguisher and reflector triangle kit

# QUOTATION



Petersen Industries, Inc.  
 4000 State Road 60 W  
 Lake Wales, FL 33859-8201

PAGE NO  
 2  
 QUOTE NO  
 20150454

BILL TO: RECHTIEN INTERNATIONAL TRUCKS  
 3787 INTERSTATE PARK ROAD W  
 RIVIERA BEACH, FL 33404

SHIP TO: RECHTIEN INTERNATIONAL TRUCKS  
 3787 INTERSTATE PARK ROAD W  
 RIVIERA BEACH, FL 33404

End user is HOLLYWOOD, FL (CITY OF)

DATE	CUSTOMER NO	SLS RP	PYMT TERMS	LOC	PPD/COL	SHIP DATE	SHIP VIA
12/18/2015	000000001107	PAS	Net 30	03	PREPAID	A.S.A.P.	DRIVE AWAY

Unit completion date: 90-120 DAYS days after actual chassis arrival or quoted arrival, whichever is later.

No Chassis Before: MAY

QTY	ITEM NO	DESCRIPTION	UOM	UNIT PRICE	DISC	EXTENDED PRICE
	8.28 1824-HDX	MODEL HDX-1824 HARDOX BODY 1/8" SIDES, 3/16" FLOOR	1.00 EA			
	8.36 PISWLCD	PI SELF-WINDING LOAD COVERING DEVICE (ADD-ON)	1.00 EA			
	8.40 S-BD	STANDARD BARN DOORS FOR BODY	1.00 EA			
	8.47 WL-BW	WIRE LOOM FOR BODY WIRING	1.00 EA			
	10.09 LED	LED TYPE BODY LIGHTS, 15 EA.	1.00 EA			
	10.10 LED FLASH	AMBER LED FLASHERS IN REAR CORNER POST	1.00 EA			
	8.77ANSI	ANSI Z245 PACKAGE	1.00 EA			
	10.06 SS	SINGLE STROBE MOUNTED ON REAR OF BODY	1.00 EA			
	10.07 BG	BRUSH GUARD FOR SINGLE REAR STROBE	1.00 EA			
	11.02B	BODY COLOR: BLACK	1.00 EA			
1.00	8.0 DUMP BODY	AS CONFIGURED ABOVE	EA			

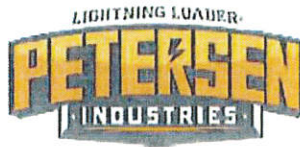
JOEL WALL/954-967-4555

Signature

Date



# QUOTATION



Petersen Industries, Inc.  
 4000 State Road 60 W  
 Lake Wales, FL 33859-8201

PAGE NO

1

QUOTE NO

20150454

BILL TO: RECHTIEN INTERNATIONAL TRUCKS  
 3787 INTERSTATE PARK ROAD W  
  
 RIVIERA BEACH, FL 33404

SHIP TO: RECHTIEN INTERNATIONAL TRUCKS  
 3787 INTERSTATE PARK ROAD W  
  
 RIVIERA BEACH, FL 33404

End user is HOLLYWOOD, FL (CITY OF)

DATE	CUSTOMER NO	SLS RP	PYMNT TERMS	LOC	PPD/COL	SHIP DATE	SHIP VIA
12/18/2015	000000001107	PAS	Net 30	03	PREPAID	A.S.A.P.	DRIVE AWAY

Unit completion date: 90-120 DAYS days after actual chassis arrival or quoted arrival, whichever is later.

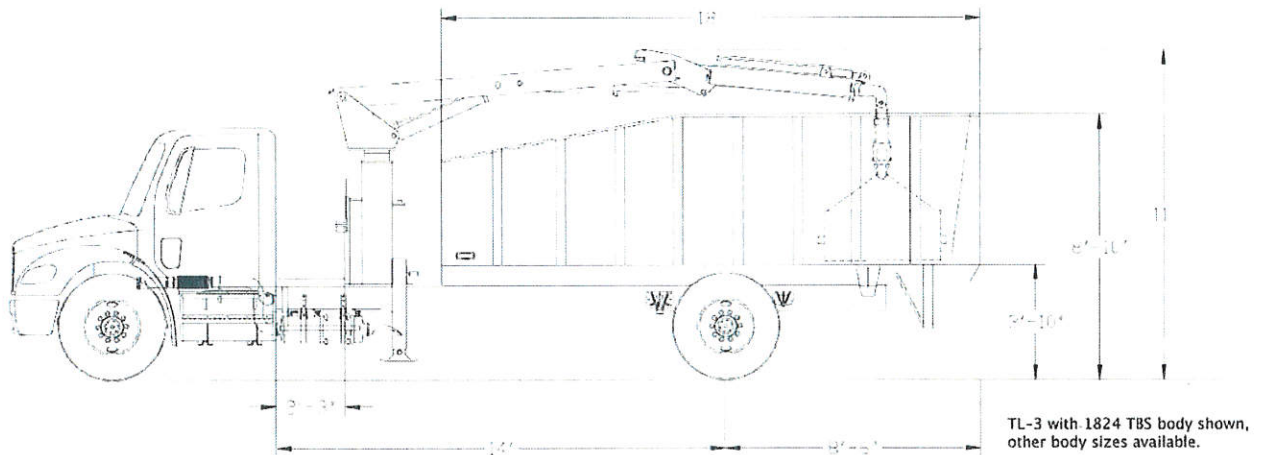
No Chassis Before: MAY

QTY	ITEM NO	DESCRIPTION	UOM	UNIT PRICE	DISC	EXTENDED PRICE
	0 TL3	MODEL TL3 BASE LOADER	1.00 EA			
	03.11SAI	HEAVY DUTY SWING MOTOR	1.00 EA			
	01.11MQCA	QUADSTICK MECH CONTROLS (UPGRADE)	1.00 EA			
	12.10	TANDEM PUMP ASSY	1.00 EA			
	01.24	GRATING HEAT SHIELD (FOR DUAL CONTROLS ONLY)	1.00 EA			
	10.16 HDHI	HDHI OUTRIGGER STROBE	1.00 EA			
	07.10SB60	STANDARD BUCKET 60"	1.00 EA			
	10.04 BUWL	BOOM-UP WARNING LIGHT/AUDIBLE ALARM	1.00 EA			
	12.05 HG	HOSE GUARDS- HEAD & VALVE BANK	1.00 EA			
	12.36 HD	HD CONTROL BOX THROTTLE ENGINE KILL & HORN	1.00 EA			
	11.02 LBPIO	LOADER SINGLE COLOR PI ORANGE	1.00 EA			
1.00	LOADER	AS CONFIGURED ABOVE	EA			

Continue Next Page

# Specifications & Technical Data\*

10/12



## System Description

The model TL-3 Lightning Loader® is a grapple loader mounted to a chassis from behind the cab, equipped with Petersen's standard trash bucket at the end of the boom. The loader operates from a fixed platform located behind the chassis cab.

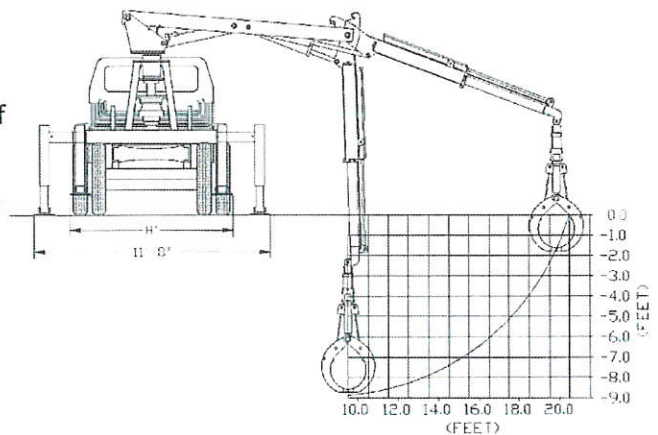
## Control Options

Dual manual controls for outriggers and loader on both sides of the truck for accessibility and visibility come standard on this model. QUADSTICK® mechanically linked dual joystick controls are also an available option on the TL-3. Stationary top-mount control seat is also an option on this model.

## Lift Capacity

Radius	Load Capacity
10 ft radius	7,100 lbs
16 ft radius	4,400 lbs
20 ft radius	3,200 lbs

**Note:** Weight of attachment not subtracted from above listed lifting capacities. Trash bucket weighs 1,000 lbs. Capacities shown do not exceed 85% vehicle tipping moment (outriggers engaged, loader on firm, level ground).



## General Specifications

Reach	20 ft
Main Boom & Tip Boom	16 ft
Tip Extension	4 ft
Tare Weight (empty)	23,000 lbs
Outrigger Span	11 ft 8 in
Dump Body Hoist Capacity	23 tons

## Recommended Chassis (minimum)

Body Style	Conventional Cab
Cab-to-Axle Dimension	168"
Front Axle Rating	12,000 lbs
Rear Axle Rating	21,000 lbs
GVW Rating	33,000 lbs
Frame	1,500,000 RBM
Frame Thickness	11/32" Minimum
Engine	210 HP Diesel
Transmission	Automatic

\*Petersen Industries, Inc. reserves the right to change product design and specifications at any time without notice. There may be more specifications than listed herein. Consult your Petersen dealer for complete specifications.

1-800-930-LOAD (5623)  
www.petersenind.com



4000 SR 60 West  
Lake Wales, FL 33859

**SPECIFICATIONS:  
MODEL TL-3 LIGHTNING LOADER®  
20 FOOT KNUCKLEBOOM GRAPPLE LOADER**

**INTENT**

It is the intent of these specifications to describe a hydraulically operated, knuckleboom trash loader with telescopic boom to be used in the collection of oversize trash items such as discarded appliances, furniture, brush, leaves, building materials, etc. In this configuration, the loader is intended to be mounted directly behind the cab of a long wheelbase cab chassis, along with a trash dump body. This arrangement provides a complete, one man operated, turn-key system.

**VEHICLE**

The recommended vehicle for this application has a minimum Gross Vehicle Weight of 33,000 lbs., the cab-to-axle dimension varies depending upon body length (see body specifications), a minimum of 1,500,000 RBM frame rating, a minimum frame thickness of 11/32" and 76 in. of after frame. Cab must have exterior grab handle on both sides.

**PEDESTAL ASSEMBLY**

To be an open A-frame type to allow flexing under repeated load shocks. Total height not to exceed 7 ft. from mounting plate to top of pedestal/main boom connection point.

Spindle to be single piece high strength solid steel (ASTM 4140) turning in (ASTM-D4020-81) cast nylon bearings. Welded spindle/head assembly is to be stress relieved prior to installation.

Boom rotation to be accomplished by a direct drive 270 degree hydraulic rotary actuator, Model HA-36, with a maximum torque rating of 72,000 in. lbs. This rotary actuator eliminates the need for any type of gear reduction, thereby eliminating the metal-to-metal wear found in open, exposed pinion and bull gear designs. To prevent spindle bending moments from being transmitted to rotary actuator, the actuator must be mounted by means of a torque arm assembly.



## **BOOM CONSTRUCTION**

Main boom to be comprised of two ea., 4 in. x 8 in. x 3/8 in. thick steel tubes connected to each other only at their center line to allow a shock absorbing flexing action of the boom. Main boom hydraulic cylinder must have a minimum of 1200psi down pressure for compacting loads.

Tip boom to have an extendible/retractable telescopic section controllable from the operator's platform. Must have mechanical stops to prevent cylinder stress. The inner and outer sleeves of the telescopic section must be separated by replaceable cast nylon wear blocks on all sides to prevent metal-to-metal wear. Hydraulic hoses for the telescopic section must be enclosed in steel box for protection. No exposed tip extension hoses shall be permitted.

## **LIFT CAPACITY**

Load radius is measured from the center of boom rotation to the center of the bucket rotation.

Capacities shown must not exceed 85% of vehicle tipping moment, with outriggers fully extended on firm, level ground. \*Weight of bucket and/or attachments to boom must be subtracted from lift capacities shown.

<b>Boom Radius</b>	<b>Lift Capacity</b>
10 ft.	7,100 lbs.
16 ft.	4,400 lbs.
20 ft.	3,200 lbs.

\*Standard bucket weighs approximately 1,000 lbs.

## **BOOM CONNECTION POINTS**

Boom connection points must be equipped with replaceable cast nylon or bronze bushings and a 2 in. bolt with castellated nut to prevent spreading of the connection pivot point.



## **TRASH BUCKET**

To be a special municipal trash bucket actuated by a single double-acting cylinder. The bucket shall be capable of continuous rotation with no need for physical stops. Bucket rotation to be accomplished by a continuous rotation bucket motor, Model RE, with 5,500 in. lbs. torque rating. Bucket must have the capability to be rolled over on the load without damage to any components. This allows a maximum load and keeps boom height within acceptable limits. Bucket must also have a minimum reach of 9 feet below grade.

The bucket must incorporate:

- 3/16 in. plate, smooth steel clamshell scoop for leaves and sand.
- End plates are to be a minimum 5/8 in. thick and of A-572 grade 50, 50,000psi steel.
- Minimum of 5 ribs per side to handle branches, logs and appliances.
- Trample ram in the center for compressing trash in body.
- Replaceable bolt-on bucket blades made of high impact tempered steel

The bucket must be 4 ft. long with an opened width of 5 ft. between pickup blades. Anti-scalping bucket sides are pivot mounted to provide a horizontal closing action rather than a vertical digging motion. Sides are mechanically linked to single hydraulic cylinder to ensure both sides close and open together. No hydraulic hoses below bucket rotator.

## **POWER SOURCE**

To be a transmission mounted power take off coupled directly to the hydraulic pump (no drive shafts).

For vehicles with an automatic transmission, the power source shall be a "Hot Shift" PTO. "Hot Shift" automatically disengages the PTO when the truck is placed in gear, and reengages when the truck is placed back in neutral (ready for hydraulic operation). This eliminates the possibility of damage to the hydraulic components that could result if the operator drives the vehicle with the PTO in gear. Also provides for smooth engagement of PTO with no gnashing or grinding of gears.

For vehicles with a manual transmission and air brakes, the power source must be an "Air Shift" PTO.

For vehicles with a manual transmission and hydraulic brakes, the power source must be a "Cable Shift" PTO.

Must be equipped with overspeed protection (with the exception of a manual transmission). Over-speeding the pump causes the hydraulic fluid to overheat. Overspeed protection prevents damage to the hydraulic system. All electrical connections are to be to chassis manufacturer's specifications.

(Page 3 of 5)

Due to continuing product improvement, specifications are subject to change without notice or obligation. Rev. 062212 MLK



## HYDRAULIC COMPONENTS

<b>Reservoir:</b>	40 gallon baffled tank with <u>suction</u> and <u>return</u> filters and cutoff valves for easy servicing. Includes a sight gauge with a thermometer and a vent filter.
<b>Cylinders:</b>	Double acting with chromed rods and aluminum pistons.
<b>Main Boom:</b>	5 in. x 32 in. with a 2 ½ in. shaft.
<b>Tip Boom:</b>	5 in. x 32 in. with a 2 ½ in. shaft.
<b>Tip Extension:</b>	2 in. x 48 in. with a 1 ¼ in. shaft.
<b>Bucket:</b>	4 in. x 12 in. with a 2 in. shaft.
<b>Control Valves:</b>	Gresen stack type with port reliefs
<b>Safety Locking Valves:</b>	Counter balance valves to be installed on main boom, tip boom, and tip extension cylinders and pilot operated check valves on outriggers to prevent a leakdown or collapse in case of a hydraulic hose rupture.
<b>Pump:</b>	Single Commercial Intertech P-20
<b>Hydraulic Lines:</b>	JIC mechanical tubing, 12,000 PSI working pressure. High tensile steel wire braided hoses, 4000 PSI working pressure.
<b>Pressure:</b>	Main relief set at 2,500 PSI maximum.

## ENGINE CONTROL

Engine is to be programmed for the proper RPM level and activated by a marine type switch at the operator's station.

## OPERATOR CONTROLS

**DUAL CONTROLS:** Control platform to be located directly behind conventional cab at the same height as the top of the truck frame to allow operator access from the truck cab without ever having to touch the ground. A single bank of control valves to be mounted at the mid-point of loader, with control handles accessible from the operator platform on either side of truck. Control handle pattern must be the same on both sides of the truck for superior visibility. Control handles shall not require lubrication. A "Grip Strut" serrated steel walk platform is included.



## OUTRIGGER STABILIZERS

MODEL 3: Outriggers to be constructed with hydraulically powered telescoping rectangular tubing.

Outriggers to be equipped with large steel pads to minimize damage to street. Outriggers must telescope out and down to reach a horizontal distance of 11 ft. 8 in. between outer edges.

Horizontal stabilizer movement of each stabilizer to be powered by a hydraulic cylinder with a bore of 2 in. and a stroke of 20 in. Horizontal telescopic outrigger components to be separated by cast nylon bearings on all four sides to eliminate metal to metal contact and reduce wear.

Vertical movement to be provided by two hydraulic cylinders with a bore of 3 in. and a stroke of 22 in. These cylinders must be fully enclosed for protection, and equipped with pilot operated check valves.

## PAINT

Loader must receive 1 coat of high-grade primer and 2 coats of high-grade enamel (manufacturer's standard colors). Bucket to be painted PI standard black.

## MISCELLANEOUS

Includes boom up sensor with indicator light and audible alarm (light in cab with audible alarm warns the driver of excessive boom height), tail pipe extended past operator platform and back-up alarm.

One operator/service/parts manual included.

One hour training videotape for operators/mechanics included.

Current model must have been in production at least fifteen years.

## WARRANTY

**Three year major structural and one year hydraulic warranty for loader and body.**  
(\*\*See Warranty Sheet\*\*)



# Recommended TL-3 Package

## TL3-1824TBS

This is our most popular package. The configuration is as follows:

### CHASSIS

Medium duty chassis with a conventional cab (Class 7). Cab to axle dimension should be 168 in. (varies with body length) with 76 in. of after frame. The frame RBM rating should be no less than 1,500,000 and a minimum frame thickness of 1 1/32". GVWR should be 33,000 (12K front and 21K rear). Exterior grab handles on both sides. Horizontal exhaust extended at least 6 ft. past cab. We will not knowingly mount this package on a chassis that does not meet these minimum requirements.

### LOADER

TL-3 - Although numerous options are available, the most important will be the selection of your actuator (boom swing motor). Our standard is the HA-36 (max. torque rating of 72,000 in.lbs.). This motor will serve the customer well unless the terrain is hilly or mountainous. In these areas it will be necessary to add the option of our SAI hydraulic motor (max. torque rating of 150,000 in. lbs.).

### BODY

1824TBS - This is our 18 ft. 24 cu.yd. body. This unit has a 16 ton dump hoist as standard. There are numerous options available for this body, including some inexpensive options, which could noticeably increase the life span. See your price list for options.





**OPTIONAL EQUIPMENT  
MODEL TL-3 LIGHTNING LOADER®**

**PEDESTAL ASSEMBLY**

**Hydraulic Motor:**

**Model SAI 1250/150:** Boom rotation to be accomplished by a direct drive 270 degree planetary gearbox with radial piston hydraulic motor. Model SAI 1250/150, with a maximum torque rating of 150,000 in. lbs. This enclosed gearbox must be 100% oil bath which eliminates the lubrication labor and the metal-to-metal wear found in open, exposed pinion and bull gear designs. To prevent spindle bending moments from being transmitted to enclosed gearbox, the gearbox must be mounted by means of a torque arm assembly.

**OPERATOR CONTROLS:**

**Top-Mount:** Operator station is located on a stationary platform above the truck cab. The control valves are mounted under the seat, with the control handles between the operator's legs for easy access. A ladder, safety railing, padded seat with arm rests and seat belt are provided. Please note that if top mount controls are selected, your rotation is limited to 195 degrees.

**Optional:** Foot pedal to control boom swing

**Joystick (dual walk-thru):** Petersen mechanical QUADSTICK® controls. Each of the four joysticks has six functions to control loader operation. Outriggers are controlled by two joysticks at the center of the operator platform. Body dump is controlled by a single lever at the center of the operator platform.

**Joystick (top mount):** Two mechanical six function joysticks located on either side of the operator seat control loader operation. Outrigger and body dump controls are located to the left of the operator seat.

**MISCELLANEOUS**

**Outrigger Warning Light and Audible Alarm:** Dash mounted red light remains lit and audible alarm sounds until the outriggers are fully raised.

**Dual Top Strobe:** Dual strobe lights mounted in a single housing.

**Rubber Street Pads:** Mounted on outrigger feet.

**Outrigger Strobes:** Mount one on top of each outrigger.

**Reflective Tape:** Applied to outrigger legs.

**Paint Bucket:** Colors other than black

