

**Bid Tabulation Packet
for
Solicitation F-4493-16-RL**

Purchase of Fire Hydrants

Bid Designation: Public



City of Hollywood, Florida

Bid #F-4493-16-RL - Purchase of Fire Hydrants

Creation Date **Jan 12, 2016**

End Date **Feb 22, 2016 3:00:00 PM EST**

Start Date **Jan 25, 2016 1:46:41 PM EST**

Awarded Date **Not Yet Awarded**

F-4493-16-RL--01-01 Fire Hydrants: 3 Foot Fire Hydrant					
Supplier	Unit Price	Qty/Unit	Total Price	Attch.	Docs
HD Supply Waterworks, Ltd. [Ad]	First Offer - \$1,024.07	48 / each	\$49,155.36	Y	Y
Product Code: Agency Notes:		Supplier Product Code: Supplier Notes: Identify the Manufacturer and Model: Mueller A423 Number of Calendar days after placement of order: 2-14 days			
Fortiline Waterworks [Ad]	First Offer - \$1,025.45	48 / each	\$49,221.60	Y	Y
Product Code: Agency Notes:		Supplier Product Code: 423-523720 Supplier Notes: Identify the Manufacturer and Model: MUELLER A423 SUPER CENTURION Number of Calendar days after placement of order: 7-14 DAYS			
A&B PIPE & SUPPLY, INC.	First Offer - \$1,035.00	48 / each	\$49,680.00		Y
Product Code: Agency Notes:		Supplier Product Code: 423-523720 Supplier Notes: Identify the Manufacturer and Model: MUELLER Number of Calendar days after placement of order: 7-10			
Ferguson Enterprises Inc.	First Offer - \$1,173.58	48 / each	\$56,331.84		Y
Product Code: Agency Notes:		Supplier Product Code: Supplier Notes: Identify the Manufacturer and Model: American Flow Control B84B Number of Calendar days after placement of order: 14-21			

F-4493-16-RL--01-02 Fire Hydrants: 3 Foot 6 Inch Fire Hydrant					
Supplier	Unit Price	Qty/Unit	Total Price	Attch.	Docs
HD Supply Waterworks, Ltd. [Ad]	First Offer - \$1,069.28	163 / each	\$174,292.64		Y
Product Code: Agency Notes:		Supplier Product Code: Supplier Notes: Identify the Manufacturer and Model: Mueller A423 Number of Calendar days after placement of order: 2-14 days			
Fortiline Waterworks [Ad]	First Offer - \$1,072.30	163 / each	\$174,784.90	Y	Y
Product Code: Agency Notes:		Supplier Product Code: 423-523768 Supplier Notes: Identify the Manufacturer and Model: MUELLER A423 SUPER CENTURION Number of Calendar days after placement of order: 7-14 DAYS			
A&B PIPE & SUPPLY, INC.	First Offer - \$1,082.00	163 / each	\$176,366.00		Y
Product Code: Agency Notes:		Supplier Product Code: 423-523768 Supplier Notes: Identify the Manufacturer and Model: MUELLER Number of Calendar days after placement of order: 7-10			
Ferguson Enterprises Inc.	First Offer - \$1,222.52	163 / each	\$199,270.76		Y
Product Code: Agency Notes:		Supplier Product Code: Supplier Notes: Identify the Manufacturer and Model: American Flow Control Number of Calendar days after placement of order: 14-21			

F-4493-16-RL--01-03 Fire Hydrants: 4 Foot Fire Hydrant					
Supplier	Unit Price	Qty/Unit	Total Price	Attch.	Docs
HD Supply Waterworks, Ltd. [Ad]	First Offer - \$1,095.39	61 / each	\$66,818.79		Y

Product Code: Agency Notes:		Supplier Product Code: Supplier Notes: Identify the Manufacturer and Model: Mueller A423 Number of Calendar days after placement of order: 2-14 days			
Fortiline Waterworks [Ad]	First Offer - \$1,097.90	61 / each	\$66,971.90	Y	Y
Product Code: Agency Notes:		Supplier Product Code: 423-523769 Supplier Notes: Identify the Manufacturer and Model: MUELLER A423 SUPER CENTURION Number of Calendar days after placement of order: 7-14 DAYS			
A&B PIPE & SUPPLY, INC.	First Offer - \$1,108.00	61 / each	\$67,588.00		Y
Product Code: Agency Notes:		Supplier Product Code: 423-523769 Supplier Notes: Identify the Manufacturer and Model: MUELLER Number of Calendar days after placement of order: 7-10			
Ferguson Enterprises Inc.	First Offer - \$1,251.45	61 / each	\$76,338.45		Y
Product Code: Agency Notes:		Supplier Product Code: Supplier Notes: Identify the Manufacturer and Model: American Flow Control Number of Calendar days after placement of order: 14-21			

F-4493-16-RL--01-04 Fire Hydrants: 4 Foot 6 Inch Fire Hydrant					
Supplier	Unit Price	Qty/Unit	Total Price	Attch.	Docs
HD Supply Waterworks, Ltd. [Ad]	First Offer - \$1,098.11	5 / each	\$5,490.55		Y
Product Code: Agency Notes:		Supplier Product Code: Supplier Notes: Identify the Manufacturer and Model: Mueller A423 Number of Calendar days after placement of order: 2-14 days			
Fortiline Waterworks [Ad]	First Offer - \$1,100.40	5 / each	\$5,502.00	Y	Y
Product Code: Agency Notes:		Supplier Product Code: 423-538383 Supplier Notes: Identify the Manufacturer and Model: MUELLER A423 SUPER CENTURION Number of Calendar days after placement of order: 7-14 DAYS			
A&B PIPE & SUPPLY, INC.	First Offer - \$1,111.30	5 / each	\$5,556.50		Y
Product Code: Agency Notes:		Supplier Product Code: 423-538383 Supplier Notes: Identify the Manufacturer and Model: MUELLER Number of Calendar days after placement of order: 7-10			
Ferguson Enterprises Inc.	First Offer - \$1,281.06	5 / each	\$6,405.30		Y
Product Code: Agency Notes:		Supplier Product Code: Supplier Notes: Identify the Manufacturer and Model: American Flow Control Number of Calendar days after placement of order: 14-21			

F-4493-16-RL--02-01 Repair, Parts and Accessories : Percentage discount off manufacturer's list for repair, parts and accessories					
Supplier	Unit Price	Qty/Unit	Total Price	Attch.	Docs
Fortiline Waterworks [Ad]	First Offer - 41.00%	1 / each	41.00%	Y	Y
Product Code: Agency Notes:		Supplier Product Code: PARTS/ACCESSORIES Supplier Notes:			
HD Supply Waterworks, Ltd. [Ad]	First Offer - 36.00%	1 / each	36.00%	Y	Y
Product Code: Agency Notes:		Supplier Product Code: Mueller Parts Supplier Notes:			
Ferguson Enterprises Inc.	First Offer - 25.00%	1 / each	25.00%		Y
Product Code: Agency Notes:		Supplier Product Code: Supplier Notes:			
A&B PIPE & SUPPLY, INC.	First Offer - 0.00%	1 / each	0.00%		Y

Product Code:	Supplier Product Code: MUELLER
Agency Notes:	Supplier Notes:

Supplier Totals

HD Supply Waterworks, Ltd. [Ad]		\$295,757.34 (5/5 items)
Bid Contact	Susan Helms susan.helms@hdsupply.com Ph 407-383-7008 Fax 321-724-5117	Address 6933 Old Nasa Blvd. Melbourne, FL 32904
Agency Notes:	Supplier Notes:	
Fortiline Waterworks [Ad]		\$296,480.40 (5/5 items)
Bid Contact	Julie Cline terry.scheuering@fortiline.com Ph 704-788-9813 Fax 407-688-9180	Address 7025 Northwinds Drive, NW Concord, NC 28027
Agency Notes:	Supplier Notes:	
A&B PIPE & SUPPLY, INC.		\$299,190.50 (5/5 items)
Bid Contact	ARODDY MOREJON alexg@abpipe.net Ph 305-694-2004	Address 6500 NW 37TH AVENUE MIAMI, FL 33147
Supplier Code	246265	
Agency Notes:	Supplier Notes:	
Ferguson Enterprises Inc.		\$338,346.35 (5/5 items)
Bid Contact	Jason A Mueller drew.petonick@ferguson.com Ph 954-973-8100	Address 2361 NW 22nd Street Pompano Beach, FL 33069
Supplier Code	9340	
Agency Notes:	Supplier Notes:	

**

HD Supply Waterworks, Ltd.

Bid Contact **Susan Helms**
susan.helms@hdsupply.com
Ph 407-383-7008
Fax 321-724-5117

Address **6933 Old Nasa Blvd.**
Melbourne, FL 32904

Item #	Line Item	Notes	Unit Price	Qty/Unit	Attch.	Docs
F-4493-16-RL-01-01	Fire Hydrants: 3 Foot Fire Hydrant	Supplier Product Code: Identify the Manufacturer and Model: Mueller A423 Number of Calendar days after placement of order: 2-14 days	First Offer - \$1,024.07	48 / each	\$49,155.36	Y Y
F-4493-16-RL-01-02	Fire Hydrants: 3 Foot 6 Inch Fire Hydrant	Supplier Product Code: Identify the Manufacturer and Model: Mueller A423 Number of Calendar days after placement of order: 2-14 days	First Offer - \$1,069.28	163 / each	\$174,292.64	Y
F-4493-16-RL-01-03	Fire Hydrants: 4 Foot Fire Hydrant	Supplier Product Code: Identify the Manufacturer and Model: Mueller A423 Number of Calendar days after placement of order: 2-14 days	First Offer - \$1,095.39	61 / each	\$66,818.79	Y
F-4493-16-RL-01-04	Fire Hydrants: 4 Foot 6 Inch Fire Hydrant	Supplier Product Code: Identify the Manufacturer and Model: Mueller A423 Number of Calendar days after placement of order: 2-14 days	First Offer - \$1,098.11	5 / each	\$5,490.55	Y
Lot Total					\$295,757.34	
Item #	Line Item	Notes	Unit Price	Qty/Unit	Attch.	Docs

F-4493-16-RL--02-01	Repair, Parts and Accessories : Percentage discount off manufacturer's list for repair, parts and accessories	Supplier Product Code: Mueller Parts	First Offer - 36.00%	1 / each	36.00%	Y	Y
Lot Total					\$0.00		
Supplier Total					\$295,757.34		

HD Supply Waterworks, Ltd.

Item: **Fire Hydrants:3 Foot Fire Hydrant**

Attachments

Oakland Park Branch substitutew9.pdf

Business License FL-HDS WW-County of Broward-378-7600-2015 Renewal.pdf

Business License FL-HDS WW-County of Miami-Dade-5744173-2015 Renewal.pdf

Riviera Beach Business License FL-HDS WW-City of Riviera Beach-00696.1-2015-Bus Lic BTAX.pdf

Substitute Form **W-9**

Request for Taxpayer Identification Number and Certification

Give form to the requestor.
Do not send to the IRS.

Please print or type

Name	
HD Supply Waterworks, LTD Branch #8556	
Business name , if different from above.	
Water & Sewer	
Check the appropriate box: <input checked="" type="checkbox"/> Partnership	
Legal Address: number, street, and apt. or suite no.	Remittance Address: if different from legal address number, street, and apt. or suite no.
4310 NW 10th Ave	
City, state and ZIP code	City, state and ZIP code
Oakland Park, FL 33309	

Part I Taxpayer Identification Number (TIN)	
<p>Enter your TIN in the appropriate box. The TIN provided must match the name given on Line 1 to avoid backup withholding. For individuals, this is your social security number (SSN). However, for a resident alien, sole proprietor, or disregarded entity, see the Part I instruction on page 3. For other entities, it is your employer identification number (EIN). If you do not have a number, see <i>How to get a TIN</i> on page 3. Note: If the account is in more than one name, see the chart on page 4 for guidelines on whose number to enter.</p>	<p>Employer identification number</p> <p>03-0550887</p>

Part II Certification

Under penalties of perjury, I certify that:

1. The number shown on this form is my correct taxpayer identification number (or I am waiting for a number to be issued to me), **and**
 2. I am not subject to backup withholding because: **(a)** I am exempt from backup withholding, or **(b)** I have not been notified by the Internal Revenue Services (IRS) that I am subject to backup withholding as a result of a failure to report all interest or dividends, or **(c)** the IRS has notified me that I am no longer subject to backup withholding, **and**
 3. I am an U.S. person (including an U.S. resident alien).
- Certification instructions.** You must cross out item 2 above if you have been notified by the IRS that you are currently subject to backup withholding because you have failed to report all interest and dividends on your tax return. For real estate transactions, item 2 does not apply.

Sign Here	Signature of U.S. Person		Date
			11.10.2014



City of Hollywood, Florida
Board of County Commissioners
2015-2016
LOCAL BUSINESS TAX RENEWAL NOTICE

B 00665

F-4493-16-RL
Presorted First Class
US Postage Paid Permit #1522
Mailed From Zip Code 33310

MAIL your notice with your check payable to:

Broward County Tax Collector, 115 S. Andrews Ave. Rm A-100, Fort Lauderdale FL 33301

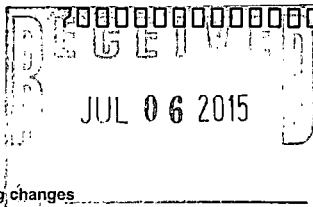
Receipt Number: 378-7600
Location Address: 4310 NW 10 AVE
Type of Business: WHOLESALE/DISTRIBUTOR



Amount: \$45.00
Arrears: \$0.00
Penalty: \$0.00
By September 30 Pay: \$45.00 ✓

After Sept 30 Pay	Oct:	\$49.50	Dec:	\$79.00
	Nov 1-29:	\$51.75	After Dec 31:	\$81.25
	Nov 30:	\$76.75		

000000000000000000000000000000000000021772201600000000450000000000000004



HD SUPPLY WATERWORKS LTD
HD SUPPLY WATERWORKS LTD
P O BOX 80600
INDIANAPOLIS, IN 46280

Check if making changes

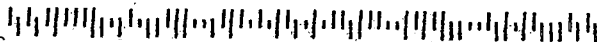
See back of notice for additional information

Telephone: (954) 771-3700

www.broward.county-taxes.com

EBCLSP1 46280

BidSync



IMPORTANT: THIS POSTCARD IS NOT YOUR BUSINESS TAX RECEIPT – PLEASE INCLUDE THIS WITH YOUR PAYMENT.

The following businesses must present proof of an active **State or Local Certification**, registration or license (that does not expire before September 30, 2015) before your Broward County Local Business Tax Receipt can be renewed: **Auto Paint/Body; Auto Repair; Bakery/Ice Cream; Ballroom; Contractor; Convenience Store; Fortune Teller/Psychic; Health Club; Limousine; Moving; Pawnbroker; Pest Control; Piercing; Spa; Specialty Contractor; Store on Wheels; Tattooing; Telemarketing; Travel Agency.**
** If you conduct any of the businesses categories listed above: you must include your documentation with mailed payment or by presenting your current certification/license at the Tax Collector's Office at the time of making your renewal payment.

The following businesses must **ALSO** provide proof of current registration with the **Broward County Permitting, Licensing & Consumer Protection Division: Auto Body/Repair; Auto Paint; Auto Repair; Mover Registration; Limousine.** For **Auto Repair/Paint & Body:** proof of BOTH the Broward County Registration (AR or AB) and the State Motor Vehicle Repair Certification (MV) must be submitted upon the renewal of Local Business Tax Receipt. Businesses that require an annual **Vending Machine Decal** can renew only by mail or in person.

If you are NOT conducting one of the business categories listed above: you may renew ONLINE at broward.county-taxes.com

REQUESTS TO TRANSFER OWNERSHIP, CHANGE BUSINESS NAME, OR CHANGING BUSINESS LOCATION: COMPLETE BELOW AND INCLUDE ANY NECESSARY FEE

NEW: Businesses can now request changes, and pay any required transfer fees, directly from our website broward.county-taxes.com – look for the “BT Express” link.

If requesting transfers or changes by mail: you may provide the necessary information below, but note that many requests require the payment of an associated fee that **MUST** be included when you return this request. For questions or clarification on the amount of any necessary fee, please contact our office before submitting a payment at: businesstax@broward.org, or 954-357-6200.

- New Ownership or Business Name (Fee: 10% of Renewal Amount) _____
Required: Federal ID# or SSN of New Business or Owner: _____
- New Business Location: (Fee: 10% of Renewal Amount) _____
- Change of Mailing Address Only: (No Fee) _____
- No Longer Doing Business – Request to Delete Business Account: (Sign, Date, and Return) _____

2/22/2014 Requests to change your business mailing address can also be made by email or phone to businesstax@broward.org, or 954-357-6200

LOCAL BUSINESS TAX

SEE REVERSE SIDE FOR MORE INFORMATION

081794

ACCOUNT NUMBER	RECEIPT NUMBER	EXEMPTION	TOTAL NO. OF RECEIPTS	STATE/CC#
6042519	5744173		1 OF 1	

DBA HD SUPPLY WATERWORKS LTD

Business Location:
18701 SW 108 AVE

Municipality: UNIN DADE COUNTY

Owner/Corporation
HD SUPPLY WATERWORKS LTD

Mailing Address:
DUCHARME MCMILLEN & ASSOC
P.O. BOX 80600
INDIANAPOLIS, IN 46280

Business Type
220 TANGIBLE PERSONAL PROP DLR

Phone 786-573-3401

NAICS Code 423990
Units 1 Employee(s)

DESCRIPTION OF TAXES		TAXES LEVIED
Current Year 2016		
County Wide Tax		30.00
Beacon Council - Economic Dev		15.00
Unincorporated Area Tax		30.00

Pay online - visit www.miamidade.gov/taxcollector

Amount Due by September 30, 2015 \$75.00

Amount due with penalties if paid after due date

OCTOBER 10%	NOVEMBER 15%	DECEMBER 20%	JANUARY 25%	FEBRUARY 25% + \$100
82.50	86.25	90.00	93.75	193.75

↑ RETAIN FOR YOUR RECORDS ↓

↓ IF REQUESTING CHANGES, DETACH HERE AND RETURN THIS PORTION WITH YOUR PAYMENT ↓

Items with a require documentation for requested change	Receipt Number: 5744173
★ Business Name	Phone Number
Business Address	Employees/Units
Mailing Address	★ Owner Name
NEW ITEM: Provide Email Address (County Use Only)	★ Employer Identification Number or Social Security Number

↑ RETAIN FOR YOUR RECORDS ↓

↓ DETACH HERE AND RETURN THIS PORTION WITH YOUR PAYMENT ↓

6042519 ACCOUNT NUMBER
5744173 RECEIPT NUMBER
HD SUPPLY WATERWORKS LTD
18701 SW 108 AVE



TO PAY ONLINE:
www.miamidade.county-taxes.com

Amount due with penalties if paid after due date		2015-16 LOCAL BUSINESS TAX			
OCTOBER 10%	NOVEMBER 15%	DECEMBER 20%	JANUARY 25%	FEBRUARY 25% + \$100	
82.50	86.25	90.00	93.75	193.75	

Amount Due
by September 30, 2015
\$75.00

Make checks payable to:
Miami-Dade County Tax Collector (in U.S. funds drawn on U.S. banks)

Brandy Quick

SIGNATURE REQUIRED

Application is hereby made for a receipt or permit for the business profession or occupation described hereon. I swear/affirm that the information is true and correct.

HD SUPPLY WATERWORKS LTD
DUCHARME MCMILLEN & ASSOC
P.O. BOX 80600
INDIANAPOLIS, IN 46280

7000000000000000000000000000000057441732016000000750000000000009

IMPORTANT NOTICE

The mailing of the Local Business Tax Receipt renewal applications is a courtesy reminder. It is the receipt holder's responsibility to renew before the expiration date to avoid penalties (Sec. 8A-175).

Local Business Tax Receipts are issued for one year beginning October 1st and expiring on September 30th of each year. Receipts are transferable when there is a change of ownership, business location or trade name. A personal receipt is not transferable to another individual. A receipt is required for each place of business and for each separate classification at the same location.

Receipts not renewed by September 30th become delinquent and subject to penalty of 10% for the month of October and an additional 5% for each month of delinquency thereafter, provided that the penalty does not exceed 25% of the tax due.

In addition to the collection of the Miami-Dade County Local Business Tax, the Tax Collector collects the Unincorporated Area Local Business Tax; therefore, if a business is located in the Unincorporated area both taxes must be paid. (Sec. 8A-171 and Sec. 8A-224).

Owner/operators of merchandise, amusement, service or laundry machines must submit to the Tax Collector each fiscal year, a declaration showing where all vending machines are located, failure to comply can result in the issuance of a civil citation. Sec. 8A-221 (2)b.

NOTICE: All State licensed professionals and County certified contractors must confirm that their State license or County Certifications are still active and the number printed on the Local Business Tax Receipt is correct.

F.S. 205.053(3) provides for an additional penalty of up to \$250.00, if your receipt remains unpaid for 150 days after the initial notice of tax due.

Failure to pay the tax when due may result in one of the following:

- A) Tax Collector's warrant addressed to the Director of the Miami-Dade County Police Department commanding him to levy and sell any Real Estate or Personal Property of the person liable (Section 8A-181 of Miami-Dade County Code).
- B) Civil citation with penalty in the amount of \$100.00 plus \$100.00 per day after 20 days, to a maximum of \$1100.00. This may result in a lien to your Real or Personal Property as provided by Section 8CC of the Miami-Dade County Code.

A Certificate of Use and/or a city receipt may be required in addition to this receipt. Mobile vendors please note recent changes to zoning code (Sec 33-14 and 33-14.1).

If no longer in business, please notify us in writing.

Make checks payable to: MIAMI-DADE COUNTY TAX COLLECTOR

IF YOU VISIT:

200 N.W. 2 Avenue • Miami, FL 33128

Phone: (305) 270-4949 Fax: (305) 372-6368

e-mail: localbusinesstax@miamidade.gov

WE ACCEPT PAYMENTS ONLINE

Go to www.miamidade.gov/taxcollector



107_01-65 5/15

We respectfully request your cooperation in answering the following:

- 1. Gender: Female Male
- 2. Ethnicity: Native American African American White Asian Hispanic Other

AVISO IMPORTANTE

El envío por correo de las renovaciones del Impuesto Comercial Local es un recordatorio de cortesía de parte del Recaudador de Impuestos del Condado Dade. Es la responsabilidad de cada individuo renovar su(s) recibo(s) antes de su vencimiento para evitar penalidades. (Sec. 8A-175 del código del Condado de Miami-Dade).

Los Recibos del Impuesto Comercial Local se expiden por un periodo de un año que comienza el 1 de Octubre y vence el 30 de Septiembre de cada año. Los recibos son transferibles cuando hay un cambio de dueño, localización o nombre del negocio. Los recibos personales no son transferibles a otra persona. Cada localización requiere un recibo, de la misma manera que cada tipo de negocio en el mismo lugar requiere un recibo.

Los recibos que no estén renovados Septiembre 30, se consideraran atrasados y sujetos a una penalidad de un 10% por el mes de Octubre y 5% adicional por cada mes subsecuente, siempre y cuando la penalidad no exceda un 25% del impuesto.

Además de cobrar el impuesto del Recibo del Impuesto Comercial Local del Condado de Miami-Dade, el Recaudador de Impuestos cobra el impuesto de las áreas no incorporadas del Condado de Miami-Dade, por lo tanto un negocio localizado en el área no incorporada deberá pagar ambos impuestos. (Sec. 8A-171 and 8A-224).

Los dueños de máquinas operadas con monedas deben de presentar al Recaudador de Impuestos, cada año fiscal una declaración listando donde se encuentran localizadas cada una de las máquinas. El no cumplir con este requisito puede resultar en un citación civil con multas. Sec 8A-221 (2)b.

AVISO: Todos los profesionales con licencia del Estado y Contratistas con certificados del Condado deben confirmar que sus licencias del Estado o Certificado de Competencia del Condado están activos y el número está correcto en su Recibo de Impuesto Comercial Local.

Los estatutos de la Florida (Sec. 205.053(3)) proveen una penalidad adicional de hasta \$250.00 si su recibo permanece sin pagar por un periodo de 150 días después de la notificación inicial de la deuda del impuesto.

La falta de pago de los impuestos puede conducir a lo siguiente:

- A) Una orden judicial del Recaudador de Impuestos al Director de la Policía del Condado Miami-Dade para el embargo y ventas de las propiedades personales o inmuebles de las personas responsables de pagar los impuestos. (Sec. 8A-181 del Código del Condado de Miami-Dade).
- B) Una citación civil con una multa de \$100.00, mas \$100.00 diarios después de 20 días de la fecha de la citación, con una máximo de \$1100.00. Este proceso puede resultar es un gravamen a su propiedad inmueble. (Sec. 8CC del Código del Condado de Miami-Dade).

Certificado de uso y/o el recibo de la ciudad pueden ser requeridos. Vendedores ambulantes ver nuevos cambios al siguiente código de zonificación (Sec 33-14 y 33-14.1).

Por favor notifique por escrito si cerró el negocio.

Haga el cheque pagadero a: MIAMI-DADE COUNTY TAX COLLECTOR

EN PERSONA

200 N.W. 2 Avenue • Miami, FL 33128

Teléfono: (305) 270-4949 Fax: (305) 372-6368

e-mail: localbusinesstax@miamidade.gov

ACEPTAMOS PAGOS EN EL INTERNET

En www.miamidade.gov/taxcollector



Le rogamos que nos dé los datos siguientes:

- 1. Género: Femenino Masculino
- 2. Etnicidad: Indio de los Estados Unidos Afroamericano Blanco Asiático Hispano Otra

CITY OF RIVIERA BEACH
09/29/2015 10:28 SBAKER

HD SUPPLY WATERWORKS

BT2037550	AMOUNT
STSL HD SUPPLY WATERWORKS	648.27
CITY CODE: 00696.1	
STSL HD SUPPLY WATERWORKS	50.00
CITY CODE: 00696.1	

PAYMENT RECEIVED	AMOUNT
CHECK: 005231	698.27
TOTAL	698.27



CITY OF RIVIERA BEACH
600 W BLUE HERON BLVD
RIVIERA BEACH FL 33404
BUSINESS TAX RECEIPT

Permit Year October 01, 2015 to September 30, 2016

1101 W 17th ST
HD SUPPLY WATERWORKS

Issued:
Vendor: 00696.1
DISTRIBUTION SERVICE EQUIPMENT/SUPPLI

HD SUPPLY WATERWORKS
DUCHARME MCMILLEN & ASSOC
PO BOX 80600
INDIANAPOLIS IN 46280

MUST BE POSTED CONSPICUOUSLY
AT YOUR PLACE OF BUSINESS



CITY OF RIVIERA BEACH
600 W BLUE HERON BLVD
RIVIERA BEACH FL 33404
BUSINESS TAX RECEIPT

Permit Year October 01, 2015 to September 30, 2016

1101 W 17th ST
HD SUPPLY WATERWORKS

Issued:
Vendor: 00696.1
DISTRIBUTION SERVICE EQUIPMENT/SUPPLI

HD SUPPLY WATERWORKS
DUCHARME MCMILLEN & ASSOC
PO BOX 80600
INDIANAPOLIS IN 46280

MUST BE POSTED CONSPICUOUSLY
AT YOUR PLACE OF BUSINESS



CITY OF RIVIERA BEACH
600 W BLUE HERON BLVD
RIVIERA BEACH FL 33404
BUSINESS TAX RECEIPT

Permit Year October 01, 2015 to September 30, 2016

1101 W 17th ST
HD SUPPLY WATERWORKS

Issued:
Vendor: 00696.1
DISTRIBUTION SERVICE EQUIPMENT/SUPPLI

HD SUPPLY WATERWORKS
DUCHARME MCMILLEN & ASSOC
PO BOX 80600
INDIANAPOLIS IN 46280

MUST BE POSTED CONSPICUOUSLY
AT YOUR PLACE OF BUSINESS

HD Supply Waterworks, Ltd.

Item: **Repair, Parts and Accessories :Repair, Parts and Accessories :Percentage discount off manufacturer's list for repair, parts and accessories**

Attachments

Mueller Fire Hydrant Parts 1.pdf

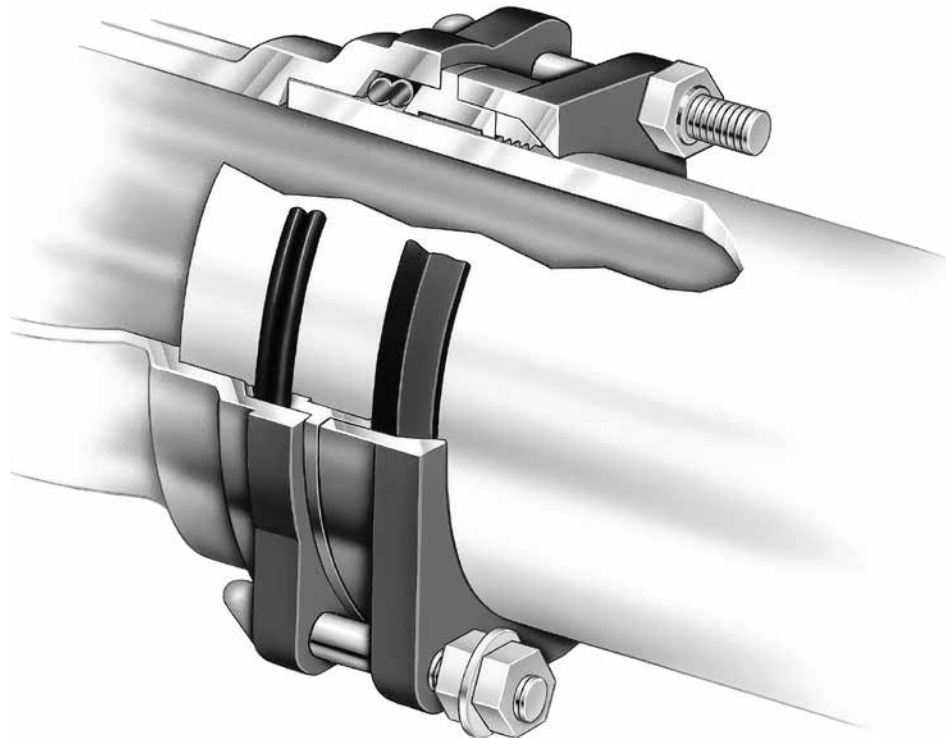
MUELLER® SUPER CENTURION® FIRE HYDRANT WITH AQUAGRIP™ SYSTEM

9.1

Shaded area indicates change Rev. 4-14

MUELLER AquaGrip System

The MUELLER AquaGrip System includes both the compression connection and the restraint system in one convenient, quick installation package. This eliminates the need for anchor couplings, tie rods or separate gland-type restraints. The AquaGrip system is available exclusively from Mueller on Centurion Fire Hydrants and 2300 Series Resilient Wedge Valves.



- ❑ TWO STYLES:
DIPS fits DI, C900 PVC and DIPS PE pipe. IPS fits PVC, IPS PE. No special pipe end preparation. PE pipe CDR9-DR17 requires a liner.
- ❑ FULLY ASSEMBLED STAB CONNECTION - insert the pipe and tighten the bolts. No need to change-out, add or remove parts. Nothing additional to inventory or handle in the field. No extra bolts to assemble or tighten.
- ❑ PRESSURE RESPONSIVE O-RING SEAL - unique double O-ring uses hydrostatic pressure from inside the pipe to enhance the seal as line pressure increases.
- ❑ NO POINT LOADING OF PIPE - gripper ring encircles pipe for uniform grip without creating points of high stress in pipe wall that could contribute to pipe failure.
- ❑ VISUALLY SHOWS WHEN PROPERLY TIGHTENED - breakaway nuts snap off using a standard wrench. No special torque requirements. Inner nut remains in place to allow future access to connection, if required. (Lower nut shown before tightening; upper one.)
- ❑ INSTALLS IN WET CONDITIONS - no special field conditions required, even installs under water.

9.2



Rev. 9-09 Shaded area indicates changes



www.muellercompany.com
moreinfo@muellercompany.com

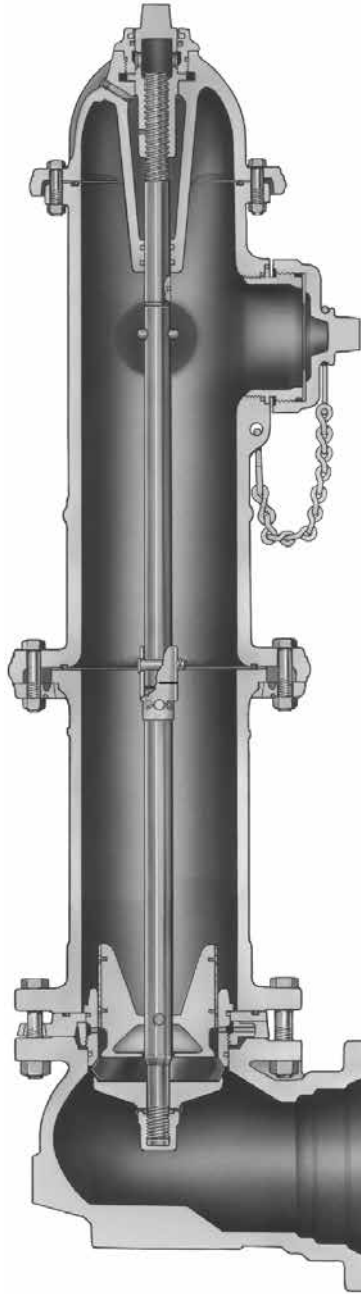
MUELLER® SUPER CENTURION® FIRE HYDRANT

9.3

Shaded area indicates change Rev. 4-14

MUELLER SUPER CENTURION 250™ Fire Hydrant Features

- **PRESSURE RATED:** standard max. working pressure 250 psig (1725 kPa, 17 barg), optional 350 psig (2400 kPa, 24 barg). Test pressures 500 psig (3450 kPa, 35 barg) and 700 psig (4800 kPa, 48 barg) respectively.
- **HOLD-DOWN NUT** - with integral weather seal. Design discourages unauthorized removal of the hold-down nut or bronze operating nut. Resilient wiper seal between hold-down nut and operating nut prevents water entry to protect operating nut from freezing. Wiper seal material is resistant to ultra-violet ray deterioration. O-ring seal provides second level of protection.
- **ANTI-FRICTION WASHER** - Acetal washer on std. 250 psig hydrant; roller bearing on opt. 350 psig – helps assure easy operation for life of the hydrant.
- **OIL FILLER PLUG** - permits quick check of oil level. Lets you add oil without removing bonnet.
- **OIL RESERVOIR O-RING SEALS** - seal oil in, water out.
- **STAINLES STEEL SAFETY STEM COUPLING** - pulls free if hydrant is hit by a vehicle preventing damage to the stem and main valve. Coupling will not break into pieces that could drop into lower barrel and affect valve operation. Top of lower stem is below the top of the lower barrel so that a tire cannot depress the stem and open the main valve. Repair is easy and economical.
- **SAFETY FLANGE** - breaks cleanly to help prevent barrel damage, yet is strong enough to withstand normal handling. Allows economical repair, adding of extension section, rotation or changing of upper barrel without digging or water shut-off.
- **BRONZE UPPER VALVE PLATE** - conical design for smooth flow.
- **DRAIN VALVE FACINGS** - specially designed, long-life facings provide effective sealing.
- **CAST IRON CAP NUT** -retains main valve. Seats against cap nut gasket to prevent corrosion of stem threads. Locked in place by a stainless steel lock washer. Mueller HP Epoxy coated for durability.



- **SHOE DESIGNED FOR MAXIMUM FLOW AND EASY CONNECTION** - with its smooth transitional contours, extended neck and integral anti-rotation pads, allowing use of standard tee-head bolts. The inside of the shoe is covered with MUELLER HP® Epoxy Coating. This thermosetting epoxy forms a tough corrosion-resistant barrier to chemicals, physical impact and electrical currents.

- **MEETS OR EXCEEDS** all applicable requirements of ANSI/AWWA C502 Standard and UL 246 and FM 1510 specifications.
- **O-RING SEALS AT BONNET, GROUND, AND SHOE FLANGES** - for better leak resistance, easier maintenance.
- **SEALED OIL RESERVOIR** - O-ring sealed to prevent leakage. Provides positive lubrication of stem threads and bearing surfaces each time the hydrant is operated. Filled at the factory.
- **FULL FLOW OPENINGS** - large radius hose and pumper openings produce low friction loss.
- **FIELD REPLACEABLE HOSE AND PUMPER NOZZLES** - O-ring sealed. Threaded in place and retained by stainless steel locks. Nozzles are easily replaced.
- **ELECTRO-GALVANIZED BOLTS AND NUTS** - provide corrosion protection.
- **NON-KINKING CHAINS** - heavy-duty chains are securely attached to the hydrant. Special chain loop permits free turning of the cap.
- **BRONZE SEAT RING** - threaded into drain ring and O-ring sealed. Seat ring is easily removed or installed from above ground. Each time main valve is opened or closed, double drain valves force-flush both drain valve openings to keep them open for effective barrel drainage. Bronze drain valves are integral parts of main valve assembly.
- **PATENTED REVERSIBLE, COMPRESSION-TYPE MAIN VALVE** - closes with pressure for positive seal. Rubber material has long service life, yet is reversible providing a convenient spare in place – 350 opt. includes reinforced main valve for higher pressure holding capability (both main valves are interchangeable).

Manufactured under one or more of the following: U.S. Patent No. 4,717,178; 4,842,246.

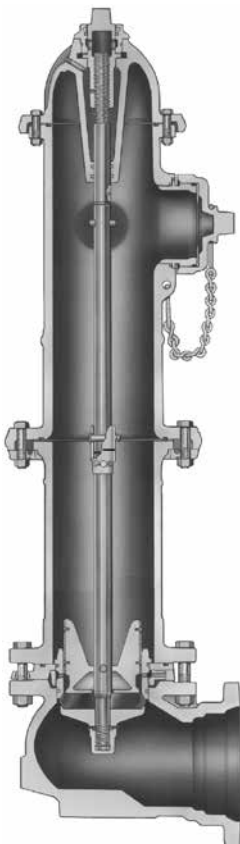
9.4



MUELLER® FIRE HYDRANTS

Rev. 9-15 Shaded area indicates changes

MUELLER SUPER CENTURION 200™ 2-Way and 1-Way Fire Hydrant



- Meets all applicable parts of ANSI/AWWA C502 Standard
- Hold-down nut with integral weather seal; designed to discourage unauthorized tampering
- Gasket seals at bonnet, ground and shoe flanges
- Dry top design with O-ring sealed oil reservoir
- Stainless steel safety stem coupling pulls free if hydrant is hit by a vehicle preventing damage to the stem and main valve
- Reversible, compression-type main valve closes with pressure for positive seal
- Low flow loss design with full flow nozzles and shoe
- Field replaceable nozzles
- Dual bronze drain ways
- 200 psig (1400 kPa/14 barg) maximum working pressure, 400 psig (2800 kPa/28 barg) test pressure

MUELLER MODERN CENTURION™ Fire Hydrant



- Modern, sleek exterior design
- Meets all applicable parts of ANSI/AWWA C502 Standard
- Post type dry barrel design
- Dry top design with O-ring sealed oil reservoir
- Traffic feature
- Stainless steel safety stem coupling pulls free if hydrant is hit by a vehicle preventing damage to the stem and main valve
- Reversible, compression-type main valve closes with pressure for positive seal
- Low flow loss design with full flow nozzles and shoe
- Field replaceable nozzles
- Dual bronze drain ways
- Two way and three way designs
- 250 psig (1725 kPa/17 barg) maximum working pressure, 500 psig (3450 kPa/35 barg) test pressure

MUELLER CENTURION Spin-in Fire Hydrant



- Lower barrel threaded to fit most sizes of R.D.Wood fire hydrant shoes
- Meets all applicable parts of ANSI/AWWA C502 Standard
- Post type dry barrel design
- Dry top design with O-ring sealed oil reservoir
- Traffic feature
- Reversible, compression-type main valve closes with pressure for positive seal
- Low flow loss design with full flow nozzles and shoe
- Field replaceable nozzles
- Dual bronze drain ways
- Two way and three way design
- 200 psig (1400 kPa/14 barg) maximum working pressure, 400 psig (2800 kPa/28 barg) test pressure

MUELLER CENTURION Standard Post & Flush Fire Hydrant



- 2-1/8" main valve opening
- Meets all applicable parts of ANSI/AWWA C502 Standard
- Dry barrel design
- Used for blow offs, sampling, irrigation, golf course watering, private estates, etc.
- Compression type main valve closes with pressure
- Bronze drain
- Flush type has a cast iron box with lid
- 250 psig (1725 kPa/17 barg) maximum working pressure, 500 psig (3450 kPa/35 bar) test pressure

MUELLER® O.E.M. FIRE HYDRANT REPAIR PARTS AND REPAIR KITS



9.5

Shaded area indicates change Rev. 10-14

MUELLER CO. considers a fire hydrant to be a critical piece of emergency equipment used to preserve lives and property. For this reason all Mueller Fire Hydrants are designed, built and tested to assure high performance and dependability.

Each component part of a MUELLER Fire Hydrant is specially designed to assure proper and reliable operation. Attention to detail doesn't stop once the part is designed. Quality control tests are made on all component parts to assure dimensional and material integrity are maintained. Every MUELLER Fire Hydrant is pressure tested and operated before it leaves our plant to assure it meets our high quality standards.

MUELLER CO. is confident it produces one of the most reliable fire hydrants available and backs this claim with a **10 YEAR LIMITED WARRANTY ON PARTS AND WORKMANSHIP** for the MUELLER Super CENTURION® Fire Hydrant. The claim of outstanding performance and reliability is proven by the fact that almost half of all the fire hydrants sold in the United States today are manufactured by MUELLER CO.

A fire hydrant is exposed to the elements on a daily basis and over a period of time repairs may eventually become necessary. MUELLER CO. offers repair kits that have the same parts as are used in our regular production hydrants. When you use genuine MUELLER replacement parts you are assured the part matches the manufacturer's original equipment specifications with regard to dimensions, materials and performance. Only genuine MUELLER parts are marked with the MUELLER name.



Typical bonnet repair kit



Typical safety flange repair kit



Typical main valve repair kit



Typical shoe repair kit

9.6



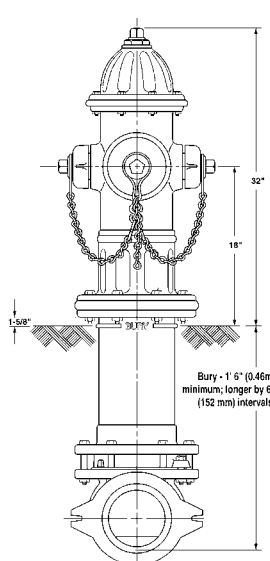
MUELLER® SUPER CENTURION® FIRE HYDRANT

Rev. 6-15 Shaded area indicates changes

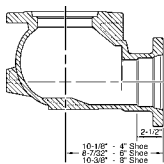
- **Super Centurion 250™ catalog numbers**
 - **UL 246, FM 1510 ANSI/AWWA C502 250 psi rated**
 - A421** 4-1/2" main valve opening 3-way (2 hose nozzle / 1 pumper nozzle)
 - A423** 5-1/4" main valve opening 3-way (2 hose nozzle / 1 pumper nozzle)
 - A454** 5-1/4" main valve opening 3-way (3 hose nozzle) *
 - A455** 5-1/4" main valve opening 4-way (4 hose nozzle) *
 - A458** 5-1/4" main valve opening 4-way (3 hose nozzle / 1 pumper nozzle) *
 - A459** 5-1/4" main valve opening 4-way (2 hose nozzle / 2 pumper nozzle)**
 - * Hose Gate Valves required on FM Approved Models
 - ** A459 is UL Listed and ANSI/AWWA C502
- **Super Centurion 350™ catalog number**
 - **UL 246, FM 1510 ANSI/AWWA C502 350 psi rated**
 - A423** 5-1/4" main valve opening 3-way (2 hose nozzle / 1 pumper nozzle)
 - A421** 4-1/2" main valve opening 3-way (2 hose nozzle / 1 pumper nozzle)
- **Super Centurion 200™ catalog numbers**
 - **UL 246, FM 1510 ANSI/AWWA C502 200 psi rated**
 - A-433** 4-1/2" main valve opening 2-way (2 hose nozzle)
 - A-435** 5-1/4" main valve opening 2-way (2 hose nozzle)
- **ANSI/AWWA C502 200 psi rated**
 - A-420** 4-1/2" main valve opening 2-way (2 hose nozzle)
 - A-424** 4-1/2" main valve opening 1-way (1 pumper nozzle)
 - A-422** 5-1/4" main valve opening 2-way (2 hose nozzle)
 - A-425** 5-1/4" main valve opening 2-way (2 pumper nozzle)
 - A-423** 5-1/4" main valve opening 3-way (1 hose nozzle / 2 pumper nozzle)
- 10 year limited warranty on material and workmanship
- Meets all applicable parts of ANSI/AWWA C502 Standard
- Post type dry barrel design
- Dry top design with O-ring sealed oil reservoir
- Traffic feature with stainless steel safety stem coupling
- Compression-type main valve closes with pressure for positive seal; it is made of rubber and is conveniently reversible providing a spare for long service life
- Operating nut available in wide variety of shapes and sizes-open left or right
- Field replaceable hose and pumper nozzles
- Hose and pumper nozzles have large radius, full flow openings for low friction loss
- Contoured shoe is designed for full flow
- Dual bronze drain valves provide effective barrel drainage
- 350 psig (2400 kPa/24 barg) maximum working pressure, 700 psig (4800 kPa/48 barg) static test pressure;
250 psig (1725 kPa/17 barg) maximum working pressure, 500 psig (3450 kPa/35 barg) static test pressure;
200 psig (1400 kPa/14 barg) maximum working pressure, 400 psig (2800 kPa/28 barg) static test pressure



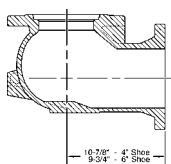
Dimensions



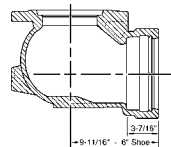
Mechanical joint
standard and D-150



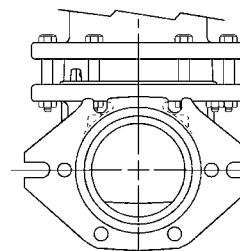
Flange
ASME B16.1 Class 125
PN 10/16 Drilling



Slip-on

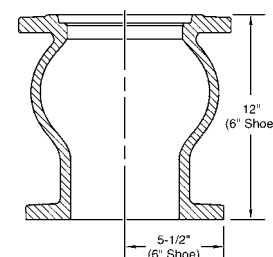


Non-rotating bolt design:
cast-in pads eliminate need
for anti-rotation bolts.
**Front view detail of Mechanical
joint (Standard only)**



**Vertical
Flange**

ASME B16.1 Class 125
PN 10/16 Drilling



MUELLER® SUPER CENTURION® FIRE HYDRANT PARTS

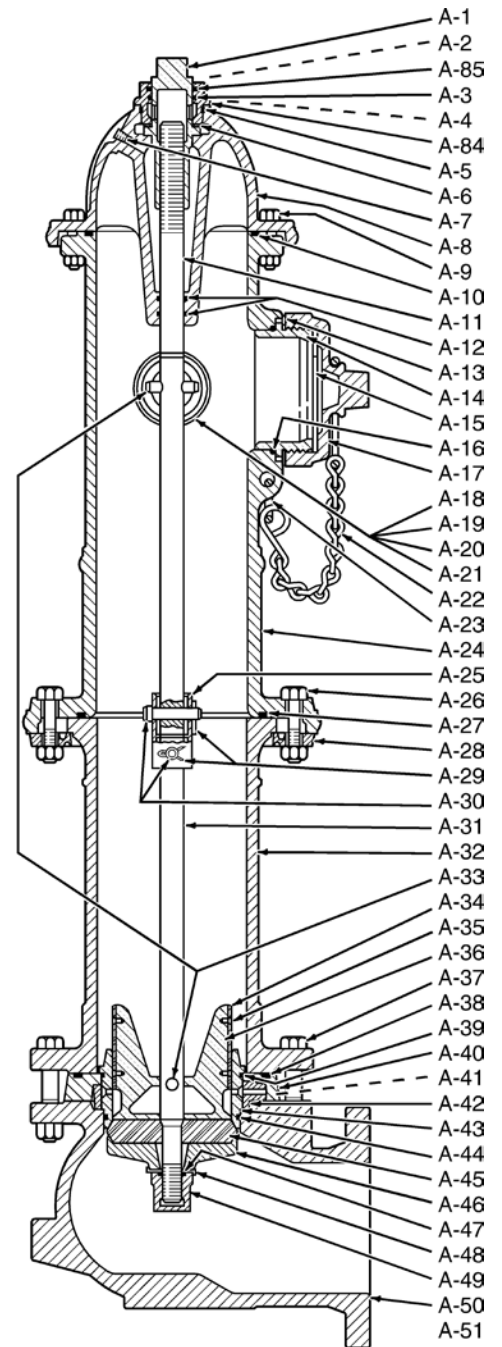


9.7

Shaded area indicates change Rev. 4-14

MUELLER Super Centurion Fire Hydrant Parts

Catalog Part Number	Description	Material	Material Standard
A-1	Operating Nut	Bronze	ASTM B584
A-2	Weather Cap (not shown - used only on pre-1988 models)	Cast Iron	ASTM A126 CL.B
A-3	Hold Down Nut O-ring	Rubber	ASTM D2000 - BUNA N
A-4	Hold Down Nut (not shown - used only on pre-1998 models)	Bronze	ASTM B584
A-5	Bonnet O-ring	Rubber	ASTM D2000 - BUNA N
A-6****	Anti-friction Washer	Acetal	-
A-7	Oil Plug	Brass	ASTM B16
A-8	Bonnet	Cast Iron	ASTM A126 CL.B
A-9	Bonnet Bolt and Nut	Steel	SAE J429 Grade 2*****
A-10	Bonnet O-ring (1997 and newer 3-way models; all pre-1997 models and 1-way and 2-way models have flat gasket)	Rubber	ASTM D2000 - BUNA N
A-11	Upper Stem	Steel	ASTM A576 GR.B
A-12	Stem O-ring	Rubber	ASTM D2000 - BUNA N
A-13	Nozzle Lock	Stainless Steel	ASTM A276
A-14	Pumper Nozzle	Bronze	ASTM B584
A-15	Pumper Nozzle Gasket	Rubber	ASTM D2000 - Neoprene
A-16	Pumper Nozzle O-ring	Rubber	ASTM D2000 - BUNA N
A-17	Pumper Nozzle Cap	Cast Iron	ASTM A126 CL.B
A-18	Hose Nozzle	Bronze	ASTM B584
A-19	Hose Nozzle Gasket	Rubber	ASTM D2000 - Neoprene
A-20	Hose Nozzle O-ring	Rubber	ASTM D2000 - BUNA N
A-21	Hose Nozzle Cap	Cast Iron	ASTM A126 CL.B
A-22	Cap Chain	Steel	Plated
A-23	Chain Ring	Steel	Plated
A-24	Upper Barrel Less Nozzles	Cast Iron	ASTM A126 CL.B
A-25	Safety Coupling	Stainless Steel	ASTM A890
A-26	Safety Flange Bolt and Nut	Steel***	SAE J429 Grade 2*****
A-27	Safety Flange O-ring (1997 and newer models; pre-1997 models have a flat gasket)	Rubber	ASTM D2000 - BUNA N
A-28	Safety Flange	Cast Iron	ASTM A126 CL.B
A-29	Cotter Pin	Stainless Steel	ASTM A276
A-30	Clevis Pin	Stainless Steel	ASTM A276
A-31	Lower Stem	Steel	ASTM A576 GR.B
A-32	Lower Barrel	Cast Iron	ASTM A126 CL.B
A-33	Stem Pen	Stainless Steel	ASTMA276
A-34	Drain Valve Facing	Plastic	-
A-35	Drain Valve Screw	Stainless Steel	ASTM A276
A-36	Upper Valve Plate (includes A-34 and A-35)	Bronze	ASTM B584
A-37	Shoe Bolt and Nut	Steel***	SAE J429 Grade 2*****
A-38	Drain Ring Housing O-ring (1997 and newer models; pre-1997 models have a square gasket)	Rubber	ASTM D2000 - BUNA N
A-39	Seat Ring Top O-ring	Rubber	ASTM D2000 - BUNA N
A-40	Drain Ring Housing	Cast Iron	ASTM A126 CL.B
A-41	Drain Ring Housing Bolt and Nut (not shown - used only on pre-1997 model hydrants)	Steel	ASTMA307 Plated
A-42	Drain Ring	Bronze	ASTM B584
A-43	Seat Ring	Bronze	ASTM B584
A-44	Seat Ring Bottom O-ring	Rubber	ASTM D2000 - BUNA N
A-45*****	Reversible Main Valve* (1997 and newer models only; pre-1997 models use reversible main valve and lower valve plate - not shown)	Rubber	ASTM D2000 - SBR
A-46	Lower Valve Plate (1997 and newer models for reversible main valve; pre-1997 models have non-reversible main valve - not shown)	Cast Iron	ASTM A126 CL.B
A-47	Cap Nut Seal	Rubber	ASTM D2000 - Natural
A-48	Lock Washer	Stainless Steel	ASTM A276
A-49	Lower Valve Plate Nut	Cast Iron	ASTM A126 CL.B
A-50	Shoe**	Cast Iron	ASTM A536
A-84	Hold Down Nut	Bronze	ASTM B584
A-85	Weather Seal	Rubber	ASTM D2000 - EPDM
A-51	10.5 ounce Hydrant Lubricating Oil	-	-



* Pre-1997 models may be upgraded to use the reversible main valve by also replacing the lower valve plate with the 1997 model.

** 6" MJ shoe is Ductile Iron, ASTM A536

*** Stainless steel Type 304 and 316 available as an option

**** For 350 psig option, A-6 is a roller thrust bearing, Steel.

***** For 350 psig option, A-45 is Rubber ASTM D2000 reinforced Cast Iron ASTM A126 CL.B

***** For 350 psig option, A-9, 27, and 37 are Steel SAE J429 Grade 5

9.8



MUELLER® SUPER CENTURION® FIRE HYDRANT WITH AQUAGRIP™ SYSTEM

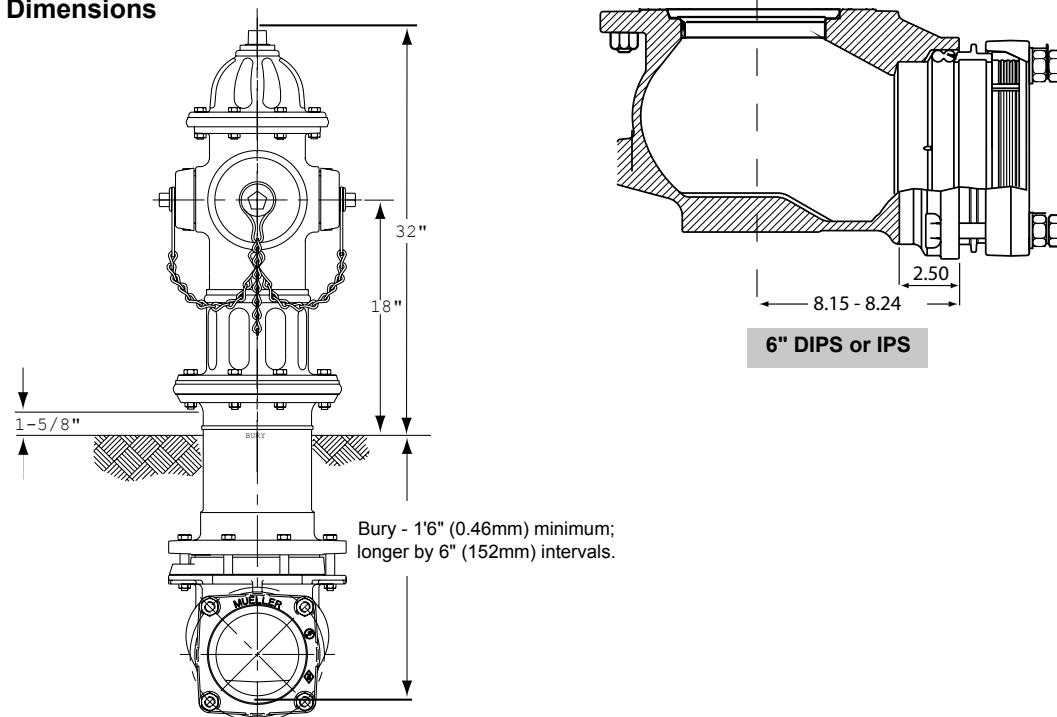
Rev. 4-14 Shaded area indicates changes

- **Super Centurion 250™ catalog numbers**
 - A421 4-1/2"** main valve opening 3-way (2 hose nozzle / 1 pumper nozzle)
 - A423 5-1/4"** main valve opening 3-way (2 hose nozzle / 1 pumper nozzle)
 - A454 4-1/2"** main valve opening 3-way (3 hose nozzle) *
 - A455 5-1/4"** main valve opening 4-way (4 hose nozzle) *
 - A458 4-1/2"** main valve opening 4-way (3 hose nozzle / 1 pumper nozzle) *
 - A459 5-1/4"** main valve opening 4-way (2 hose nozzle / 1 pumper nozzle)**
- * Hose Gate Valves required on FM Approved Models
- ** A459 is UL Listed and ANSI/AWWA C502

- **Super Centurion 200™ catalog numbers**
 - A-433 4-1/2"** main valve opening 2-way (2 hose nozzle)
 - A-435 5-1/4"** main valve opening 2-way (2 hose nozzle)
- 10 year limited warranty on material and workmanship
- Meets all applicable parts of ANSI/AWWA C502 Standard
- Post type dry barrel design
- Dry top design with O-ring sealed oil reservoir
- Traffic feature with stainless steel safety stem coupling
- Compression-type main valve closes with pressure for positive seal; it is made of rubber and is conveniently reversible providing a spare for long service life
- Operating nut available in wide variety of shapes and sizes – open left or right
- Field replaceable hose and pumper nozzles
- Hose and pumper nozzles have large radius, full flow openings for low friction loss
- Contoured shoe is designed for full flow
- Dual bronze drain valves provide effective barrel drainage
- 250 psig (1725 kPa/17 barg) maximum working pressure, 500 psig (3450 kPa/35 barg) static test pressure for 3-way hydrants
- 200 psig (1400 kPa/14 barg) maximum working pressure, 400 psig (2800 kPa/28 barg) static test pressure for 2-way and 1-way hydrants



Dimensions



SEE PAGE 9.28 FOR ORDERING INSTRUCTIONS

MUELLER® SUPER CENTURION® FIRE HYDRANT WITH AQUAGRIP™ SYSTEM

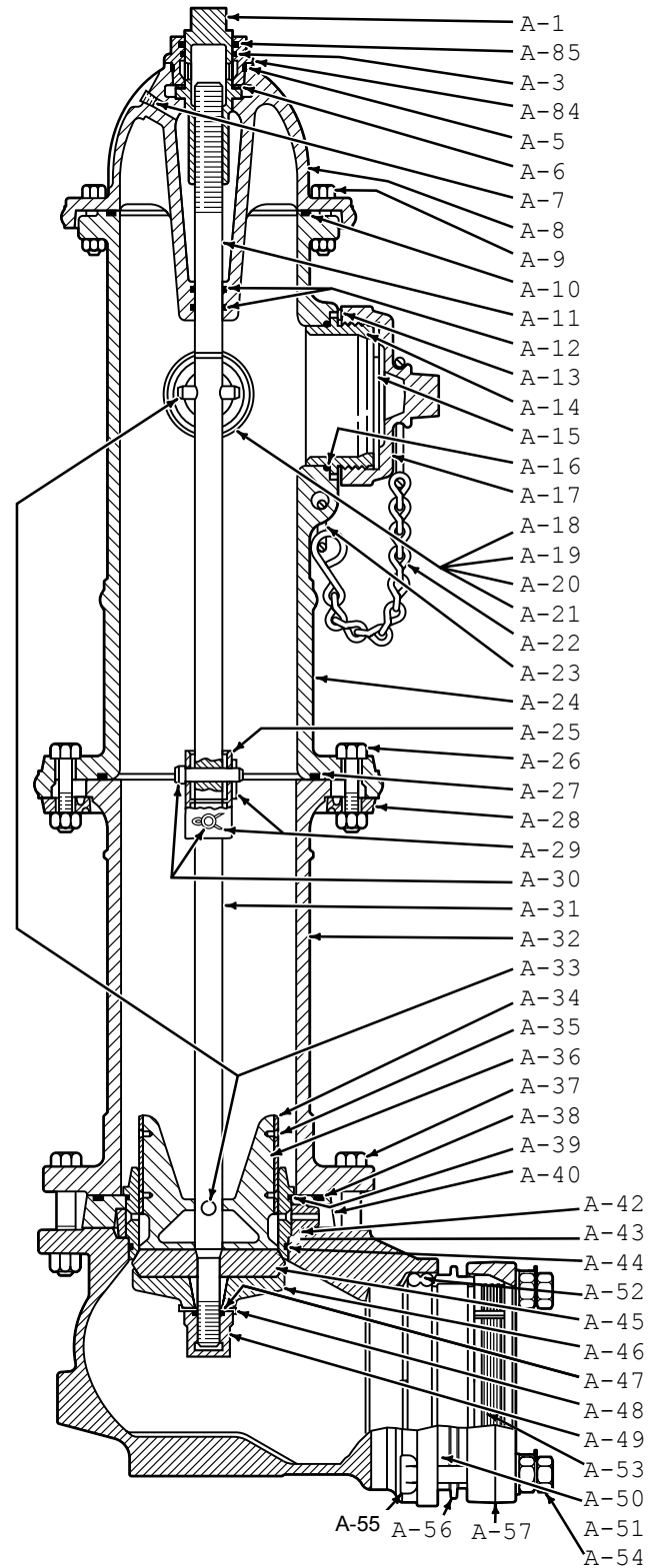


9.9

Shaded area indicates change Rev. 4-14

MUELLER Super Centurion Fire Hydrant Parts

Catalog Part No.	Description	Material	Material Standard
A-1	Operating Nut	Bronze	ASTM B584
A-3	Hold Down Nut O-ring	Rubber	ASTM D2000 - BUNA N
A-5	Bonnet O-ring	Rubber	ASTM D2000 - BUNA N
A-6	Anti-friction Washer	Acetal	-
A-7	Oil Plug	Brass	ASTM B16
A-8	Bonnet	Cast Iron	ASTM A126 CL.B
A-9	Bonnet Bolt and Nut	Steel	SAE J429 Grade 2
A-10	Bonnet O-ring	Rubber	ASTM D2000 - BUNA N
A-11	Upper Stem	Steel	ASTM A576 GR.B
A-12	Stem O-ring	Rubber	ASTM D2000 - BUNA N
A-13	Nozzle Lock	Stainless Steel	ASTM A276
A-14	Pumper Nozzle	Bronze	ASTM B584
A-15	Pumper Nozzle Gasket	Rubber	ASTM D2000 - Neoprene
A-16	Pumper Nozzle O-ring	Rubber	ASTM D2000 - BUNA N
A-17	Pumper Nozzle Cap	Cast Iron	ASTM A126 CL.B
A-18	Hose Nozzle	Bronze	ASTM B584
A-19	Hose Nozzle Gasket	Rubber	ASTM D2000 - Neoprene
A-20	Hose Nozzle O-ring	Rubber	ASTM D2000 - BUNA N
A-21	Hose Nozzle Cap	Cast Iron	ASTM A126 CL.B
A-22	Cap Chain	Steel	Plated
A-23	Chain Ring	Steel	Plated
A-24	Upper Barrel Less Nozzles	Cast Iron	ASTM A126 CL.B
A-25	Safety Coupling	Stainless Steel	ASTM A890
A-26	Safety Flange Bolt and Nut	Steel*	SAE J429 Grade 2
A-27	Safety Flange O-ring	Rubber	ASTM D2000 - BUNA N
A-28	Safety Flange	Cast Iron	ASTM A126 CL.B
A-29	Cotter Pin	Stainless Steel	ASTM A276
A-30	Clevis Pin	Stainless Steel	ASTM A276
A-31	Lower Stem	Steel	ASTM A576 GR.B
A-32	Lower Barrel	Cast Iron	ASTM A126 CL.B
A-33	Stem Pen	Stainless Steel	ASTM A276
A-34	Drain Valve Facing	Plastic	-
A-35	Drain Valve Screw	Stainless Steel	ASTM A276
A-36	Upper Valve Plate (includes A-34 and A-35)	Bronze	ASTM B584
A-37	Shoe Bolt and Nut	Steel*	SAE J429 Grade 2
A-38	Drain Ring Housing O-ring	Rubber	SAE J429 Grade 2
A-39	Seat Ring Top O-ring	Rubber	ASTM D2000 - BUNA N
A-40	Drain Ring Housing	Cast Iron	ASTM A126 CL.B
A-41	Drain Ring Housing Bolt and Nut	Steel	SAE J429 Grade 2
A-42	Drain Ring	Bronze	ASTM B584
A-43	Seat Ring	Bronze	ASTM B584
A-44	Seat Ring Bottom O-ring	Rubber	ASTM D2000 - BUNA N
A-45	Reversible Main Valve	Rubber	ASTM D2000 - SBR
A-46	Lower Valve Plate	Cast Iron	ASTM A126 CL.B
A-47	Cap Nut Seal	Rubber	ASTM D2000 - Natural
A-48	Lock Washer	Stainless Steel	ASTM A276
A-49	Lower Valve Plate Nut	Cast Iron	ASTM A126 CL.B
A-50	Shoe	Ductile Iron	ASTM A536
A-84	Hold Down Nut	Bronze	ASTM B584
A-85	Weather Seal	Rubber	ASTM D2000 - EPDM
A-52	Double O-ring	Rubber	ASTM D2000 - BUNA N
A-53	Gripper Ring	Ductile Iron	ASTM A536
A-54	Breakaway Nut with Washer	Steel	-
A-55	T-head Bolt	Steel	-
A-56	Immediate Ring	Ductile Iron	ASTM A536
A-57	End-ring	Ductile Iron	ASTM A536

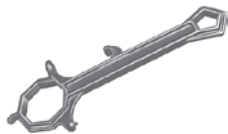


* Stainless steel Type 304 and 316 available as an option

9.10 **Mueller Co.**

MUELLER® SUPER CENTURION® FIRE HYDRANT MISCELLANEOUS EQUIPMENT

Rev. 9-15 Shaded area indicates changes



A-311

A-311 Operating wrench - operates nozzle caps, pin and lug type hose couplings, hydrant operating nut, and hold down nut.



A-367

A-367 Brass sleeve - protects O-rings from damage when removing the bonnet from upper stem.



A-316

A-316 Nozzle wrench - Used to remove and install threaded in hose and pumper nozzles.
Sizes: 2-1/2", 3", 3-1/2", 4", 4-1/2", and 5"



240885

Heavy Duty Centurion Hold Down Nut Wrench



A-359

A-359 Seat wrench - universal fit, used to remove main valve and seat ring from bonnet level or groundline. Wrench self-centers on barrel flange. Used on all Centurion, Modern and 107® Hydrants.



A-359-00

A-359-00 Seat wrench - universal fit, used to remove main valve and seat ring from bonnet level or ground line. Wrench self-centers on barrel flange. Used on all Super Centurion models and Super 200 and 250.



A-51

A-51 Hydrant lubricating oil - 10.5 ounce container of all-weather oil.



A-317

A-317 Nozzle lock installation tool - used to install nozzle locking device.



Integral Storz Wrench used to remove the integral Storz Pumper Connection.
Sizes - 4" - 287402
5" - 287403



Integral Storz Pumper Connection - used to quickly connect to hydrants. Available on Centurion 200™, 250™ or Modern hydrant.

MUELLER® SUPER CENTURION® FIRE HYDRANT REPAIR KITS



9.11

Shaded area indicates change Rev. 5-15

Bonnet Repair Kit



Bonnet Repair Kit consists of -

- (1) Weather seal
- (2) Hold down nut O-rings
- (2) Bonnet O-rings
- (1) Bonnet/Upper barrel O-ring
- (1) Anti-friction washer
- (1) Bonnet flange gasket
- (3) Stem O-rings
- (1) 10.5 oz. Hydrant lubricating oil
- (1) Instruction sheet

Kit Catalog Number	
4-1/2" M.V.O.	5-1/4" M.V.O.
280355	280355

Main Valve Repair Kit



Main Valve Repair Kit consists of -

- (1) Top seat O-rings
- (1) Bottom seat O-rings
- (1) Main valve (reversible)
- (1) Lower valve plate (reversible)
- (1) Cap nut seals
- (1) Bronze seat ring
- (1) Instruction sheet

Kit Catalog Number	
4-1/2" M.V.O.	5-1/4" M.V.O.
280358	280359

Extension Kit



Extension Kit consists of -

- (1) Stem
- (1) Barrel
- (1) Stainless steel extension stem coupling
- (1) Extension flange
- (1) Bonnet/Upper barrel O-ring
- (3) Gaskets
- (1) Bonnet/Upper barrel O-ring
- (8) Bolts and nuts
- (2) Clevis pins
- (3) Cotter pins
- (1) Instruction sheet
- (1) 10.5 oz. hydrant lubricating oil
- Extension lengths: 0'-6", 1'-0", 1'-6", 2'-0", 2'-6", 3'-0", 3'-6", 4'-0"

Kit Catalog Number		
4-1/2" M.V.O.	5-1/4" M.V.O.	350 psi
A-319	A-320	A-320-35

Safety Flange Repair Kit



Safety Flange Repair Kit consists of -

- (1) Safety flange
- (2) Gaskets
- (8) Safety flange bolts and nuts
- (1) Safety flange O-ring
- (1) Bonnet/Upper barrel O-ring
- (1) 10.5 oz. hydrant lubricating oil
- (1) Stainless steel safety stem coupling
- (2) Clevis pins
- (3) Cotter pin
- (1) Instruction sheet

Kit Catalog Number		
4-1/2" M.V.O.	5-1/4" M.V.O.	350 psi
A-300	A-301	A-301-35

Shoe Repair Kit



Shoe Repair Kit consists -

- (2) Drain valve facings
- (6) Drain valve facing screws
- (1) Drain ring housing gasket
- (1) Top seat O-ring
- (1) Bottom seat O-ring
- (1) Gasket
- (1) Main valve (reversible)
- (1) Lower valve plate (reversible)
- (1) Cap nut seal
- (1) Lock washer
- (6) Shoe bolts and nuts
- (2) Drain ring bolts and nuts
- (1) 10.5 oz. hydrant lubricating oil
- (1) Instruction sheet

Kit Catalog Number	
4-1/2" M.V.O.	5-1/4" M.V.O.
280356	280357

A-417 107® Conversion Kit

Replaces 107 hydrant bonnet with Centurian stop-in-bonnet style. Open left, 1-1/2" pentagon operating nut.

Bonnet Replacement Kit consists of -

- (1) Bonnet
- (1) Bonnet gasket
- (8) Bonnet bolts/nuts
- (1) Operating nut
- (1) Hold down nut
- (1) Stop nut
- (1) Oil plug
- (1) Anti-friction washer
- (1) Weather seal
- (1) Hold down nut O-ring
- (2) Bonnet O-rings
- (3) Steam O-rings
- (1) Upper stem assembly
- (1) 10.5 oz. hydrant lubricating oil
- (1) Instruction sheet form 11089

9.12 **Mueller Co.**

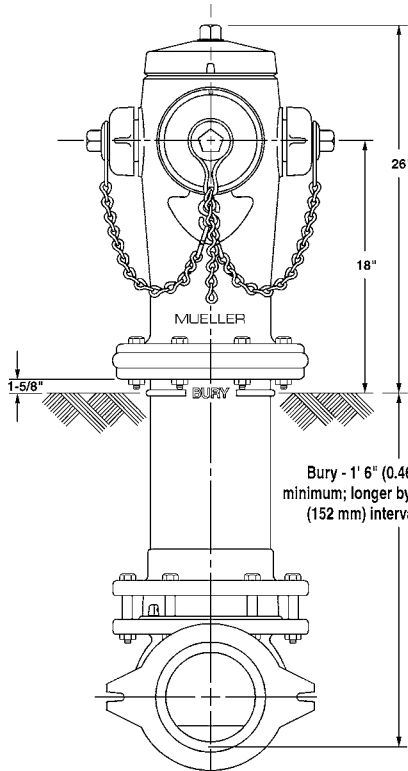
MUELLER® MODERN CENTURION® FIRE HYDRANT

Rev. 4-14 Shaded area indicates changes

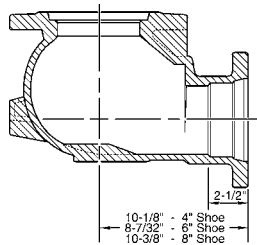
- **Catalog numbers -**
A-441 5-1/4" main valve opening 2-way (2 hose nozzles)
A-442 5-1/4" main valve opening 3-way (2 hose nozzles and 1 pumper nozzle)
- Modern, sleek exterior design
- Meets all applicable parts of ANSI/AWWA C502 Standard
- Post type dry barrel design
- Dry top design with O-ring sealed oil reservoir
- Traffic feature with stainless steel safety stem coupling
- Compression type main valve closes with pressure for positive seal; it is made of rubber and is conveniently reversible providing a spare for long service life
- Operating nut available in wide variety of shapes and sizes
- Field replaceable hose and pumper nozzles
- Hose and pumper nozzles have large radius, full flow openings for low friction loss
- Contoured shoe is designed for full flow
- Dual bronze drain valves provide effective barrel drainage
- 250 psig (1725 kPa/17 barg) maximum working pressure, 500 psig (3450 kPa/35 barg) test pressure



Dimensions

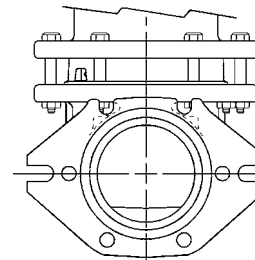


Mechanical joint standard and D-150

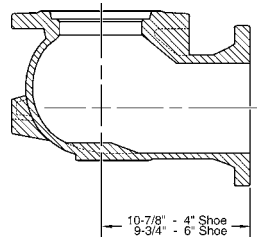


Non-rotating bolt design: cast-in pads eliminate need for anti-rotation bolts.

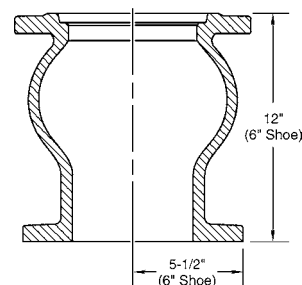
Front view detail of Mechanical joint (Standard only)



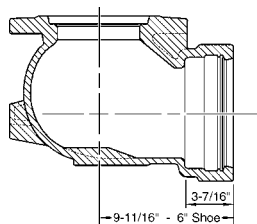
Flange
ASME B16.1 Class 125
PN 10/16 Drilling



Vertical Flange



Slip-on



SEE PAGE 9.28 FOR ORDERING INSTRUCTIONS

MUELLER® MODERN CENTURION® FIRE HYDRANT PARTS

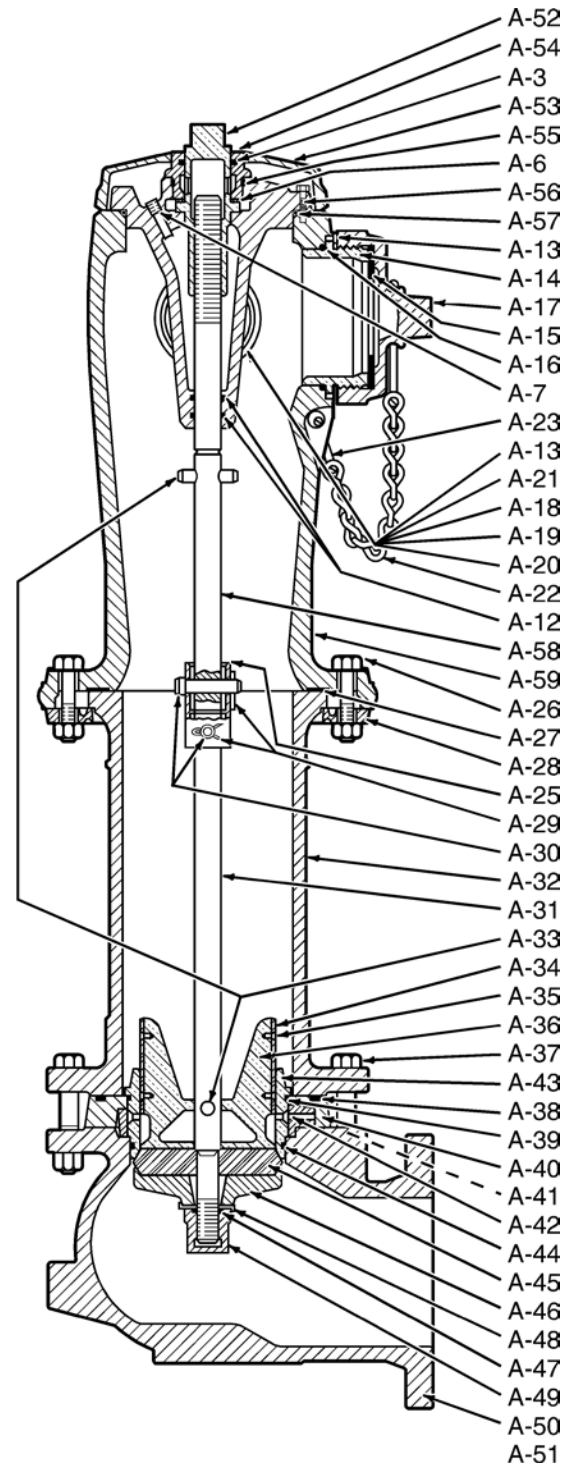


9.13

Shaded area indicates change Rev. 4-14

MUELLER Super Centurion Fire Hydrant Parts

Catalog Part No.	Description	Material	Material Standard
A-3	Hold Down Nut O-ring	Rubber	ASTM D2000 - BUNA N
A-5	Bonnet O-ring	Rubber	ASTM D2000 - BUNA N
A-6	Anti-friction Washer	Acetal	-
A-7	Oil Plug	Brass	ASTM B16
A-12	Stem O-ring	Rubber	ASTM D2000 - BUNA N
A-13	Nozzle Lock	Stainless Steel	ASTM A276
A-14	Pumper Nozzle	Bronze	ASTM B584
A-15	Pumper Nozzle Gasket	Rubber	ASTM D2000 - Neoprene
A-16	Pumper Nozzle O-ring	Rubber	ASTM D2000 - BUNA N
A-17	Pumper Nozzle Cap	Cast Iron	ASTM A126 CL.B
A-18	Hose Nozzle	Bronze	ASTM B584
A-19	Hose Nozzle Gasket	Rubber	ASTM D2000 - Neoprene
A-20	Hose Nozzle O-ring	Rubber	ASTM D2000 - BUNA N
A-21	Hose Nozzle Cap	Cast Iron	ASTM A126 CL.B
A-22	Cap Chain	Steel	Plated
A-23	Chain Ring	Steel	Plated
A-25	Safety Coupling	Stainless Steel	ASTM A890
A-26	Safety Flange Bolt and Nut	Steel***	SAE J429 Grade 2
A-27	Safety Flange O-ring (1997 and newer models; pre-1997 models have a flat gasket)	Rubber	ASTM D2000 BUNA-N
A-28	Safety Flange	Cast Iron	ASTM A126 CL.B
A-29	Cotter Pin	Stainless Steel	ASTM A276
A-30	Clevis Pin	Stainless Steel	ASTM A276
A-31	Lower Stem	Steel	ASTM A576 Grade 1117
A-32	Lower Barrel	Cast Iron	ASTM A126 CL.B
A-33	Stem Pen	Stainless Steel	ASTM A276
A-34	Drain Valve Facing	Plastic	-
A-35	Drain Valve Screw	Stainless Steel	ASTMA276
A-36	Upper Valve Plate (includes A-34 and A-35)	Bronze	ASTM B584
A-37	Shoe Bolt and Nut	Steel***	SAE J429 Grade 2
A-38	Drain Ring Housing O-ring (1997 and newer models; pre-1997 models have a square gasket)	Rubber	ASTM D2000 - BUNA N
A-39	Seat Ring Top O-ring	Rubber	ASTM D2000 - BUNA N
A-40	Drain Ring Housing	Cast Iron	ASTM A126 CL.B
A-41	Drain Ring Housing Bolt and Nut (not shows - used only on pre-1997 model hydrants)	Steel	ASTMA307 Plated
A-42	Drain Ring	Bronze	ASTM B584
A-43	Seat Ring	Bronze	ASTM B584
A-44	Seat Ring Bottom O-ring	Rubber	ASTM D2000 - BUNA N
A-45	Reversible Main Valve* (1997 and newer models only; pre-1997 models use reversible main valve and lower valve plate - not shown)	Rubber	ASTM D2000 - SBR
A-46	Lower Valve Plate (1997 and newer models for reversible main valve; pre-1997 models have non-reversibile main valve - not shown)	Cast Iron	ASTM A126 CL.B
A-47	Cap Nut Seal	Rubber	ASTM D2000 - Natural
A-48	Lock Washer	Stainless Steel	ASTM A276
A-49	Lower Valve Plate Nut	Cast Iron	ASTM A126 CL.B
A-50	Shoe**	Cast Iron	ASTM A536
A-51	10.5 oz. Hydrant Lubricating Oil (not shown)	-	-
A-52	Operating Nut	Bronze	ASTM B584
A-53	Weather Cap	Cast Iron	ASTM A126 CL.B
A-54	Hold Down Nut	Bronze	ASTM B584
A-55	Housing	Cast Iron	ASTM A126 CL.B
A-56	Housing Bolt	Steel	SAE J429 Grade 2
A-57	Top Housing O-ring	Rubber	ASTM D2000 - BUNA N
A-58	Upper Stem	Steel	ASTM A576 Gade 1117
A-59	Upper Barrel Less Nozzles	Cast Iron	ASTM A126 CL.B



* Pre-1997 models may be upgraded to use the reversible main valve by also replacing the lower valve plate with the 1997 model.

** 6" MJ shoe is Ductile Iron, ASTM A536

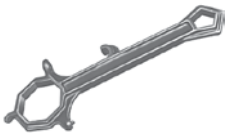
*** Stainless steel Type 304 and 316 available as an option

SEE PAGE 9.28 FOR ORDERING INSTRUCTIONS

9.14 **Mueller Co.**

MUELLER® MODERN CENTURION® FIRE HYDRANT MISCELLANEOUS EQUIPMENT

Rev. 9-15 Shaded area indicates changes



A-311

A-311 Operating wrench
 - operates nozzle caps, pin and lug type hose couplings, hydrant operating nut, and hold down nut.



A-367

A-367 Brass sleeve - protects O-rings from damage when removing the bonnet from upper stem.



A-359

A-359 Seat wrench - universal fit, used to remove main valve and seat ring from bonnet level or groundline. Wrench self-centers on barrel flange. Used on all Centurion, Modern and 107® Hydrants.



A-359-00

A-359-00 Seat wrench - universal fit, used to remove main valve and seat ring from bonnet level or ground line. Wrench self-centers on barrel flange. Used on all Super Centurion models and Super 200 and 250.



A-316

A-316 Nozzle wrench - Used to remove and install threaded in hose and pumper nozzles.
Sizes: 2-1/2", 3", 3-1/2", 4", 4-1/2", and 5"



A-317

A-317 Nozzle lock installation tool - used to install nozzle locking device.



A-51

A-51 Hydrant lubricating oil - 10.5 ounce container of all-weather oil.



Integral Storz Wrench used to remove the integral Storz Pumper Connection.
Sizes - 4" - 287402
 5" - 287403



Integral Storz Pumper Connection - used to quickly connect to hydrants. Available on Centurion 200™, 250™ or Modern hydrant.

MUELLER® MODERN CENTURION® FIRE HYDRANT REPAIR KITS



9.15

Shaded area indicates change Rev. 4-14

Shoe Repair Kit



Kit Catalog Number
5-1/4" M.V.O
280357

Shoe Repair Kit consists of -

- (2) Drain valve facings
- (6) Drain valve facing screws
- (1) Drain ring housing gasket
- (1) Drain ring housing O-ring
- (1) Top seat O-ring
- (1) Bottom seat O-ring
- (1) Main valve (reversible)
- (1) Lower valve plate (reversible)
- (1) Cap nut seal
- (1) Lock washer
- (6) Shoe bolts and nuts
- (2) Drain ring bolts and nuts
- (1) 10.5 oz. hydrant lubricating oil
- (1) Instruction sheet

Main Valve Repair Kit



Kit Catalog Number
5-1/4" M.V.O
280359

Main Valve Repair Kit consists of -

- (2) Top seat O-rings
- (2) Bottom seat O-rings
- (1) Main valve (reversible)
- (1) Lower valve plate (reversible)
- (2) Cap nut seals
- (1) Bronze seat ring
- (1) Instruction sheet

Extension Kit



Kit Catalog Number
5-1/4" M.V.O
A-320

Extension Kit consists of ---

- (1) Stem
- (1) Barrel
- (1) Stainless steel extension stem coupling
- (1) Extension flange
- (2) Gaskets
- (8) Bolts and nuts
- (2) Clevis pins
- (3) Cotter pins
- (1) 10.5 oz. hydrant lubricating oil
- (1) Instruction sheet
- Extension lengths: 0'-6", 1'-0", 1'-6", 2'-0", 2'-6", 3'-0", 3'-6", 4'-0", 4'-6" & 5'-0"



Kit Catalog Number
5-1/4" M.V.O
A-301

Safety Flange Repair Kit consists of---

- (1) Safety flange
- (2) Gaskets
- (8) Safety flange bolts and nuts
- (1) Safety flange O-ring
- (1) Bonnet/Upper barrel O-ring
- (1) 10.5 oz. hydrant lubricating oil
- (1) Stainless steel safety stem coupling
- (2) Clevis pins
- (3) Cotter pins
- (1) Instruction sheet

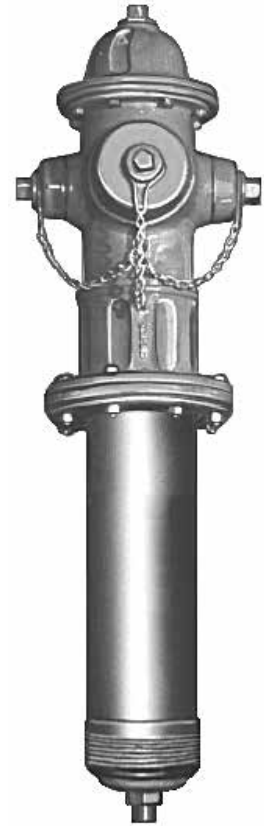
9.16 **Mueller Co.**

MUELLER® CENTURION SPIN-IN FIRE HYDRANT

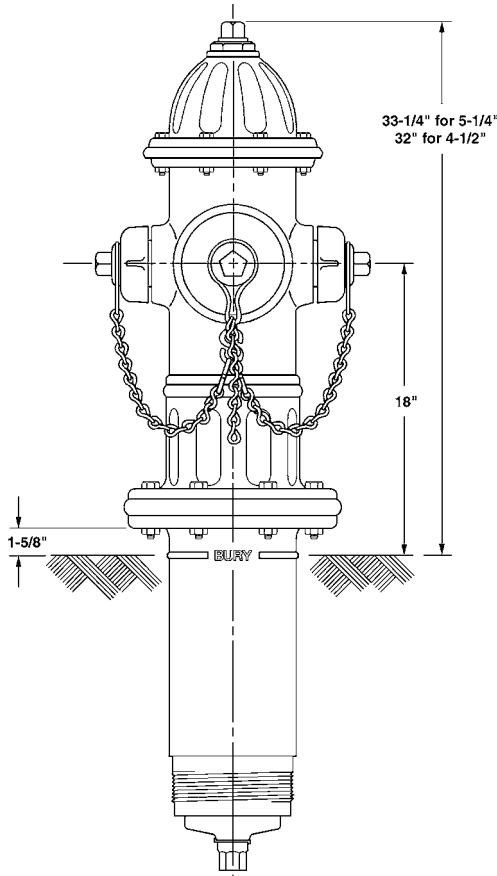
Rev. 4-14 Shaded area indicates changes

- **Catalog numbers -**
 - A-466** 4-1/2"* main valve opening 3-way (2 hose nozzles and 1 pumper nozzle)
fits 4" regular R.D.Wood shoe
 - A-467** 5-1/4" main valve opening 3-way (2 hose nozzles and 1 pumper nozzle)
fits 6" regular R.D.Wood shoe
 - A-468** 5-1/4" main valve opening 3-way (2 hose nozzles and 1 pumper nozzle)
fits 5" bronze lined R.D.Wood shoe
- Meets all applicable parts of ANSI/AWWA C502 Standard
- Post type dry barrel design
- Dry top design with O-ring sealed oil reservoir
- Traffic feature with stainless steel safety stem coupling
- Compression type patented main valve closes with pressure for positive seal; it is made of rubber and is conveniently reversible providing a spare for long service life
- Operating nut available in wide variety of shapes and sizes
- Field replaceable hose and pumper nozzles
- Hose and pumper nozzles have large radius, full flow openings for low friction loss
- Dual bronze drain valves provide effective barrel drainage
- 200 psig (1400 kPa/14 barg) maximum working pressure, 400 psig (2800 kPa/28 barg) test pressure

*4-1/2" M.V.O. hydrants have 5-1/4" bonnets, upper barrels, safety flanges and lower barrels and are marked 5-1/4" even though the main valve opening is 4-1/2".



Dimensions



SEE PAGE 9.28 FOR ORDERING INSTRUCTIONS

MUELLER® CENTURION® SPIN-IN FIRE HYDRANT PARTS

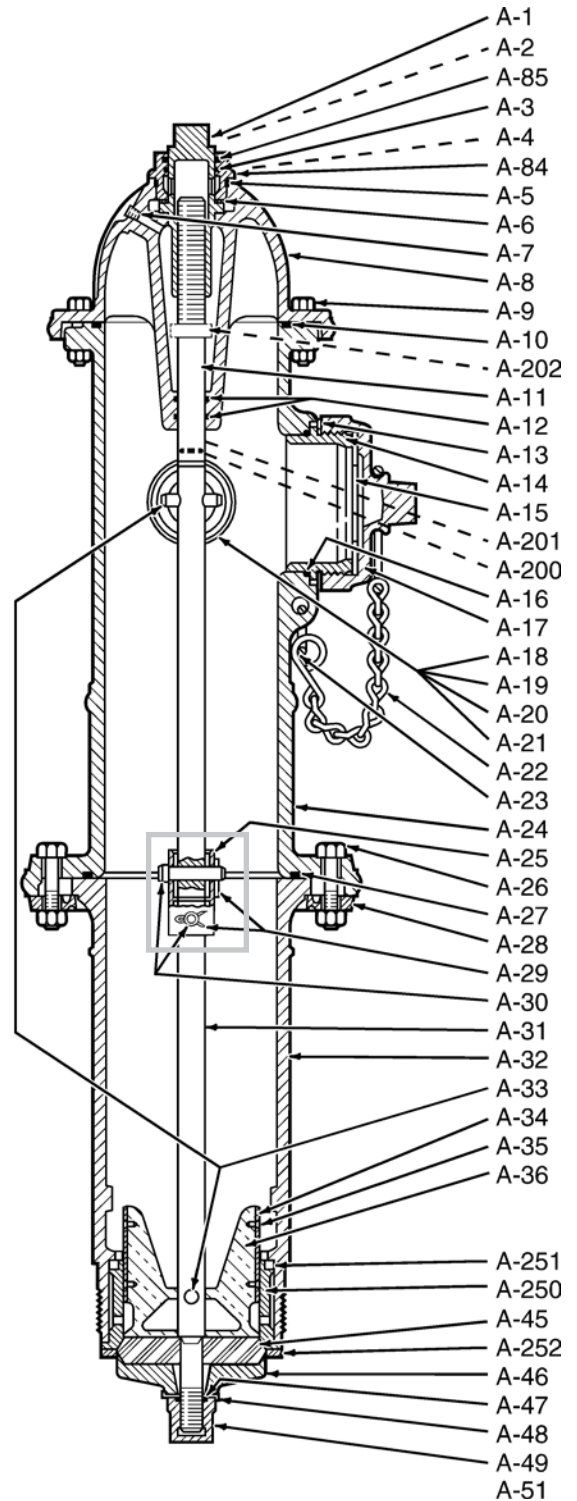


9.17

Shaded area indicates change Rev. 9-09

MUELLER Super Centurion Fire Hydrant Parts

Catalog Part No.	Description	Material	Material Standard
A-1	Operating Nut	Bronze	ASTM B584
A-2	Weather Cap (not shown - used only on pre-1988 models)	Cast Iron	ASTM A126 CL.B
A-3	Hold Down Nut O-ring	Rubber	ASTM D2000 - BUNA N
A-4	Hold Down Nut (not shown - used only on pre-1988 models)	Bronze	ASTM B584
A-5	Bonnet O-ring	Rubber	ASTM D2000 - BUNA N
A-6	Anti-friction Washer	Acetal	-
A-7	Oil Plug	Brass	ASTM B16
A-8	Hose Nozzle Cap	Cast Iron	ASTM A126 CL.B
A-9	Hose Nozzle Gasket	Rubber	ASTM D2000 - Neoprene
A-10	Hose Nozzle	Bronze	ASTM B584
A-11	Oil Screw for Operating Nut	Brass	ASTM B36
A-12	Stem O-ring	Rubber	ASTM D2000 - BUNA N
A-13	Nozzle Lock	Stainless Steel	ASTM A276
A-14	Pumper Nozzle	Bronze	ASTM B584
A-15	Pumper Nozzle Gasket	Rubber	ASTM D2000 - Neoprene
A-16	Pumper Nozzle O-ring	Rubber	ASTM D2000 - BUNA N
A-17	Pumper Nozzle Cap	Cast Iron	ASTM A126 CL.B
A-18	Hose Nozzle	Bronze	ASTM B584
A-19	Hose Nozzle Gasket	Rubber	ASTM D2000 - Neoprene
A-20	Hose Nozzle O-ring	Rubber	ASTM D2000 - BUNA N
A-21	Hose Nozzle Cap	Cast Iron	ASTM A126 CL.B
A-22	Cap Chain	Steel	Plated
A-23	Chain Ring	Steel	Plated
A-24	Upper Barrel Less Nozzles	Cast Iron	ASTM A126 CL.B
A-25	Safety Coupling	Stainless Steel	ANSI C1018 Plated
A-26	Safety Flange Bolt and Nut	Steel	SAE J429 Grade 2
A-27	Safety Flange O-ring (1997 and newer models; pre-1997 models have a flat gasket)	Rubber	ASTM D2000 - BUNA N
A-28	Safety Flange	Cast Iron	ASTM A126 CL.B
A-29	Cotter Pin	Stainless Steel	ASTM A276
A-30	Clevis Pin	Stainless Steel	ASTM A276
A-31	Lower Stem	Steel	ASTM A576 GR.B
A-32	Lower Barrel	Cast Iron	ASTM A126 CL.B
A-33	Stem Pen	Stainless Steel	ASTM A276
A-34	Drain Valve Facing	Plastic	-
A-35	Drain Valve Screw	Stainless Steel	ASTM A276
A-36	Upper Valve Plate (includes A-34 and A-35)	Bronze	ASTM B584
A-45*	Reversible Main Valve* (1997 and newer models only; pre-1997 models use reversible main valve and lower valve plate - not shown)	Rubber	ASTM D2000 - SBR
A-46	Lower Valve Plate (1997 and newer models for reversible main valve; pre-1997 models have non-reversible main valve - not shown)	Cast Iron	ASTM A126 CL.B
A-47	Cap Nut Seal	Rubber	ASTM D2000 - Natural
A-48	Lock Washer	Stainless Steel	ASTM A276
A-49	Lower Valve Plate Nut	Cast Iron	ASTM A126 CL.B
A-51	10.5 oz. Hydrant Lubricating Oil (not shown)	-	-
A-52	Hold Down Nut	Bronze	ASTM B584
A-85	Weather Seal	Rubber	ASTM D2000 - EPDM
A-84	Hold Down Nut	Bronze	ASTM B584
A-200	Sleeve O-ring	Rubber	ASTM D2000 - Nitrile
A-201	Sleeve	Copper	ASTM B75
A-201	Stop Nut	Ductile Iron	ASTM A395
A-250	Seat Ring	Bronze	ASTM B584
A-251	Top Seat Ring Gasket	Rubber	ASTM D2000 - Nitrile
A-252	Bottom Seat Ring Gasket	Rubber	ASTM D2000 - Nitrile



* Pre-1997 models may be upgraded to use the reversible main valve by also replacing the lower valve plate with the 1997 model.

9.18**Mueller Co.****MUELLER® CENTURION® SPIN-IN FIRE
HYDRANT MISCELLANEOUS EQUIPMENT**

Rev. 4-14 Shaded area indicates changes

**A-311**

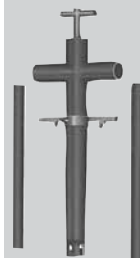
A-311 Operating wrench - operates nozzle caps, pin and lug type hose couplings, hydrant operating nut, and hold down nut.

**A-367**

A-367 Brass sleeve - protects O-rings from damage when removing the bonnet from upper stem.

**A-316**

A-316 Nozzle wrench - Used to remove and install threaded in hose and pumper nozzles.
Sizes: 2-1/2", 3", 3-1/2", 4", 4-1/2", and 5"

**A-359**

A-359 Seat wrench - universal fit, used to remove main valve and seat ring from bonnet level or groundline. Wrench self-centers on barrel flange. Used on all Centurion, Modern and 107® Hydrants.

**A-317**

A-317 Nozzle lock installation tool - used to install nozzle locking device.

**A-51**

A-51 Hydrant lubricating oil - 10.5 ounce container of all-weather oil.

MUELLER® CENTURION® SPIN-IN FIRE HYDRANT REPAIR KITS



9.19

Shaded area indicates change Rev. 4-14

Bonnet Repair Kit



Bonnet Repair Kit consists of---

- (1) Weather seal
- (1) Hold down nut O-ring
- (1) Bonnet O-ring
- (1) Bonnet/Upper barrel O-ring
- (1) Anti-friction washer
- (1) Bonnet gasket
- (2) Stem O-rings
- (1) 10.5 oz. Hydrant lubricating oil

Kit Catalog Number
5-1/4" M.V.O
280355

Safety Flange Repair Kit



Safety Flange Repair Kit consists of---

- (1) Safety flange
- (2) Gaskets
- (8) Safety flange bolts and nuts
- (1) Safety flange O-ring
- (1) Bonnet/Upper barrel O-ring
- (1) 10.5 oz. hydrant lubricating oil
- (1) Stainless steel safety stem coupling
- (2) Clevis pins
- (3) Cotter pins
- (1) Instruction sheet

Kit Catalog Number
5-1/4" M.V.O
A-301

Extension Kit



Extension Kit consists of ---

- (1) Stem
- (1) Barrel
- (1) Bonnet/Upper barrel O-ring
- (1) Stainless steel extension stem coupling
- (1) Extension flange
- (1) Safety flange O-ring
- (2) Gaskets
- (8) Bolts and nuts
- (2) Clevis pins
- (2) Cotter pins
- (1) 10.5 oz. hydrant lubricating oil
- (1) Instruction sheet

Kit Catalog Number
5-1/4" M.V.O
A-320

9.20 **Mueller Co.**

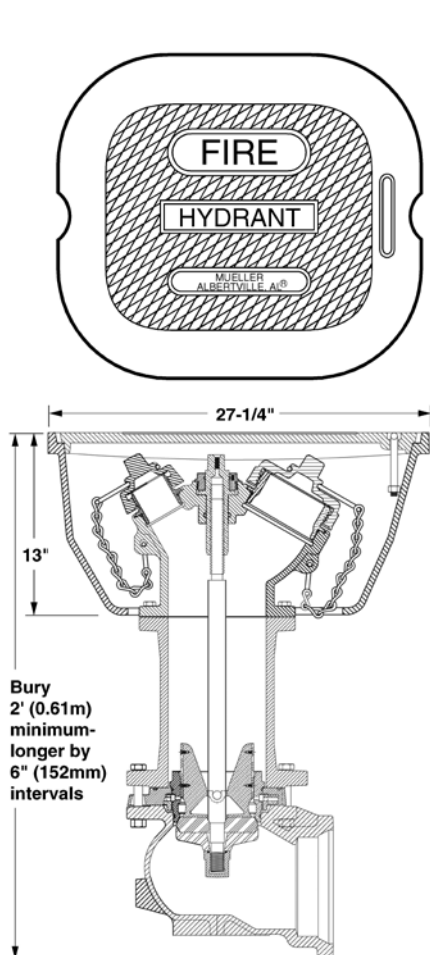
MUELLER® 5-1/4" FLUSH TYPE FIRE HYDRANT

Rev. 4-14 Shaded area indicates changes

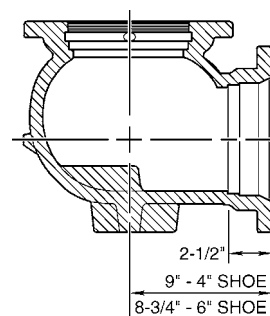
- **Catalog Numbers -**
A-415 5-1/4" main valve opening 3-way (2 hose nozzles and 1 pumper nozzle)
- Meets all applicable parts of ANSI/AWWA C502 Standard
- Flush type dry barrel design
- Cast iron flush box with non-locking lid
- Compression type patented main valve closes with pressure for positive seal; it is made of rubber and is conveniently reversible providing a spare for long service life
- Operating nut available in wide variety of shapes and sizes
- Hose and pumper nozzles have large radius, full flow openings for low friction loss
- Contoured shoe is designed for full flow
- Dual bronze drain valves provide effective barrel drainage
- 250 psig (1725 kPa/17 barg) maximum working pressure, 500 psig (3450 kPa/35 barg) test pressure



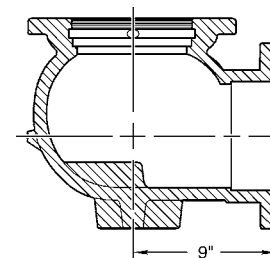
Dimensions



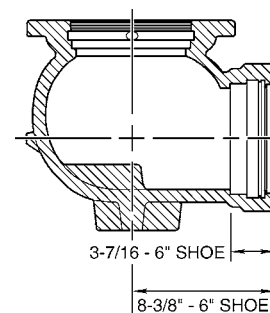
Mechanical joint - standard and D-150



Flanged



Slip-on



MUELLER® 5-1/4" FLUSH TYPE FIRE HYDRANT

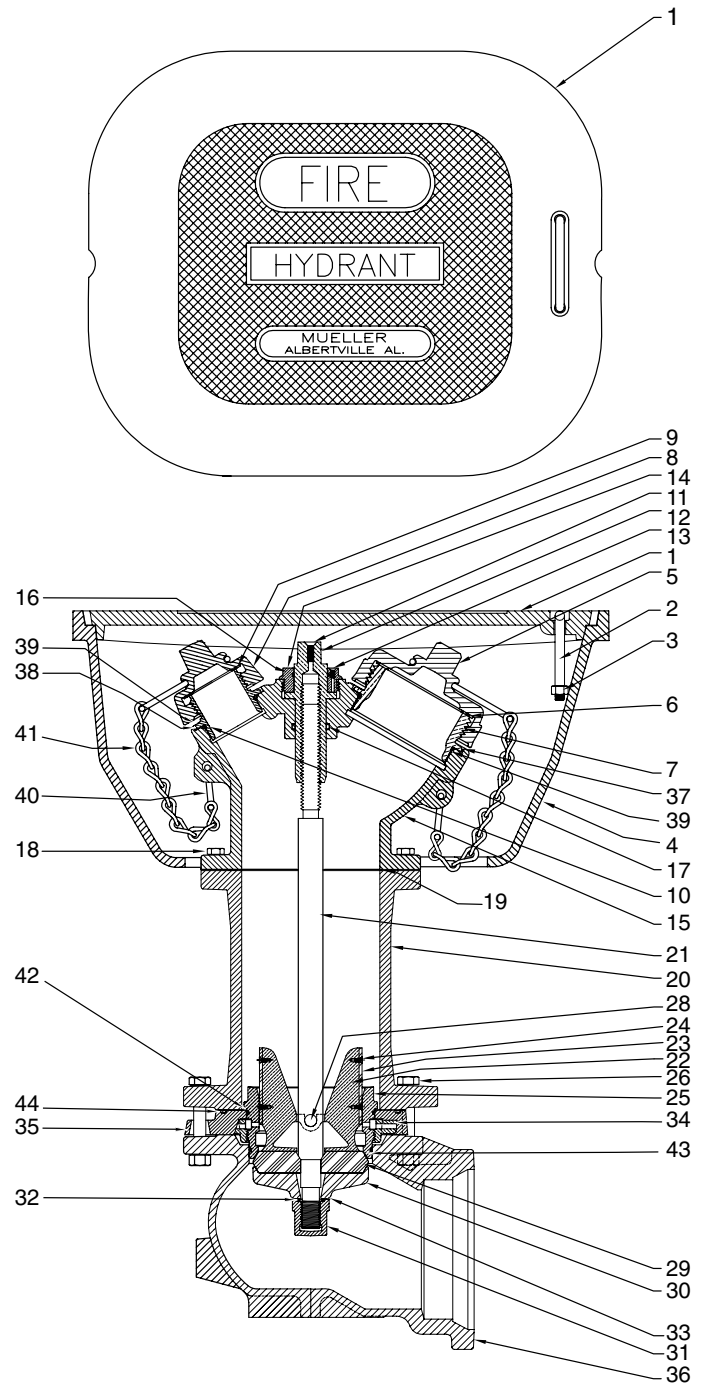


9.21

Shaded area indicates change Rev. 4-14

MUELLER Super Centurion Fire Hydrant Parts

Catalog Part No.	Description	Material	Material Standard
1	Flush Box Lid (non-locking)	Cast Iron	ASTM A126 CL.B
2	Lift Handle	Steel	ASTM A-576 Grade M1020
3	Lift Handle Nut	Steel	-
4	Flush Box	Cast Iron	ASTM A126 CL.B
5	Pumper Nozzle Cap	Cast Iron	ASTM A126 CL.B
6	Pumper Nozzle Gasket	Rubber	ASTM D2000 - Neoprene
7	Pumper Nozzle	Bronze	ASTM B584
8	Hose Nozzle Cap	Cast Iron	ASTM A126 CL.B
9	Hose Nozzle Gasket	Rubber	ASTM D2000 - Neoprene
10	Hose Nozzle	Bronze	ASTM B584
11	Oil Screw for Operating Nut	Brass	ASTM B36
12	Operating Nut	Bronze	ASTM B584
13	Oil Screw in Hold Down Nut	Brass	ASTM B36
14	Hold Down Nut	Bronze	ASTM B584
15	Upper Barrel	Cast Iron	ASTM A126 CL.B
16	Hold Down Nut O-ring	Rubber	ASTM D2000 - Neoprene
17	O-ring Seal	Rubber	ASTM D2000 - Neoprene
18	Cap Screw	Steel	-
19	Barrel Flange Gasket	Rubber	ASTM D2000 - Neoprene
20	Lower Barrel	Cast Iron	ASTM A126 CL.B
21	Stem	Steel	ASTM A576 GR.B
22	Upper Valve Plate	Bronze	ASTM B584
23	Drain Valve Facing	HD Polyethylene	LS 5660-00
24	Drain Valve Facing Screw	Stainless Steel	ASTM A276
25	Seat Ring	Bronze	ASTM B584
26	Shoe Bolt and Nut	Steel	SAE J429 Grade 2
28	Stem Pin	Stainless Steel	-
29*	Main Valve 2006 and newer models for reversible main valve; pre-2006 models have non-reversible main valve and lower valve plate - not shown	Rubber	ASTM D2000 - SBR
30	Lower Valve Plate 2006 and newer models for reversible main valve; pre-2006 models have non-reversible main valve and lower valve plate - not shown	Cast Iron	ASTM A126 CL.B
31	Valve Plate Nut	Cast Iron	ASTM A126 CL.B
32	Cap Nut Seal	Rubber	ASTM D2000 - Natural
33	Lock Washer	Stainless Steel	ASTM A126 (302)
34	Drain Ring	Bronze	ASTM B584
35	Drain Ring Housing	Cast Iron	ASTM A126 CL.B
36	Shoe	Cast Iron	ASTM A126 CL.B
37	Pumper Nozzle O-ring	Rubber	ASTM D2000 - BUNA N
38	Hose Nozzle O-ring	Rubber	ASTM D2000 - BUNA N
39	Nozzle Lock	Stainless Steel	ASTM A126 (305 or 410)
40	Chain Hook	Steel	Electro Galvanized
41	Chain	Steel	ASTM A467-64
42	Top Seat O-ring	Rubber	ASTM D2000 - BUNA N
43	Bottom Seat O-ring	Rubber	ASTM D2000 - BUNA N
44	Drain Ring O-ring	Rubber	ASTM D2000 - BUNA N



* Pre-1997 models may be upgraded to use the reversible main valve by also replacing the lower valve plate with the 1997 model.

SEE PAGE 9.28 FOR ORDERING INSTRUCTIONS

9.22 **Mueller Co.**

MUELLER® 5-1/4" FLUSH TYPE FIRE HYDRANT MISCELLANEOUS EQUIPMENT

Rev. 4-15 Shaded area indicates changes



A-314

A-314 Operating wrench - operates nozzle caps, pin and lug type hose couplings, hydrant operating nut, and hold down nut.



A-346

A-346 Seat wrench - Adjustable, used to remove main valve and seat ring from ground line level. For use with A-415 hydrant.



A-316

A-316 Nozzle wrench - Used to remove and install threaded in hose and pumper nozzles.
Sizes: 2-1/2", 3", 3-1/2", 4", 4-1/2", and 5"



A-317

A-317 Nozzle lock installation tool - used to install nozzle locking device.



A-415

A-415 Wrench - Operating wrench for use with A-415 flush hydrants.

Part #290608: 1-1/2" pent.

Part #290610: 1-1/8" pent.



9.23

Shaded area indicates change Rev. 8-04



www.muellercompany.com
moreinfo@muellercompany.com

9.24 **Mueller Co.**

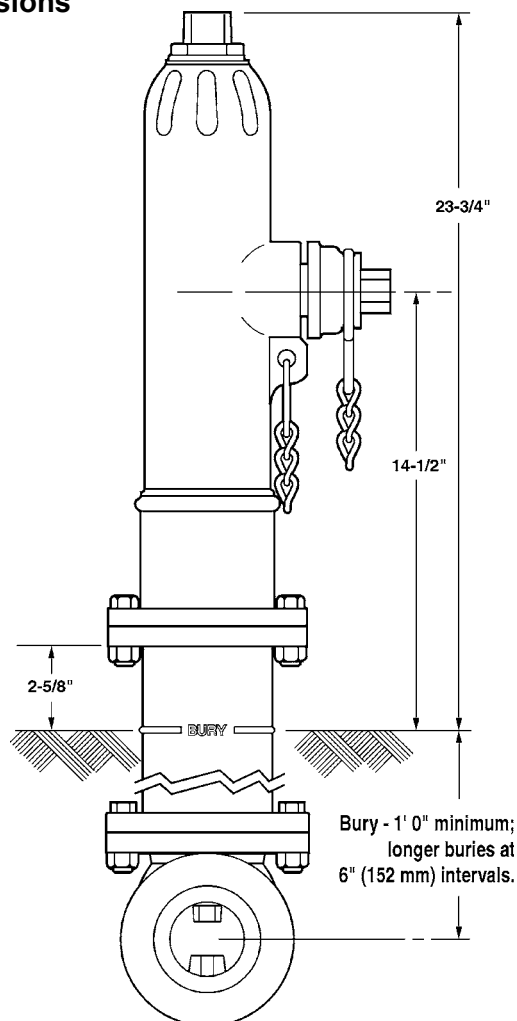
MUELLER® 2-1/8" POST TYPE FIRE HYDRANT

Rev. 4-14 Shaded area indicates changes

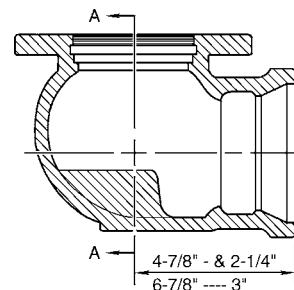
- **Catalog numbers -**
A-411 2-1/8" main valve opening two way (two 2-1/2" hose nozzles)
A-411 2-1/8" main valve opening one way (one 2-1/2" hose nozzle)
- Meets all applicable parts of ANSI/AWWA C502 Standard
- Post type dry barrel design
- Compression type main valve closes with pressure
- Operating nut available in wide variety of shapes and sizes
- Field replaceable hose nozzles
- Hose nozzles have large radius, full flow openings for low friction loss
- Contoured shoe is designed for full flow
- Dual bronze drain valves provide effective barrel drainage
- 150 psig (1000 kPa/10 barg) maximum working pressure, 300psig (2100 kPa/21 bar) test pressure



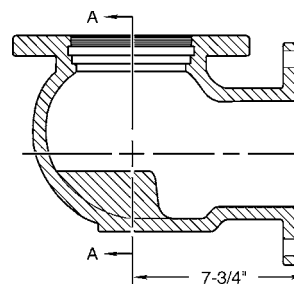
Dimensions



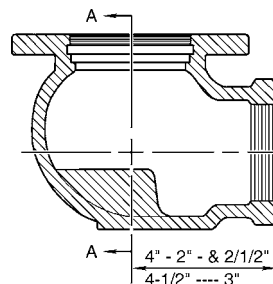
2" and 3" Mechanical joint



2-1/2" and 3" Flange
2", 2-1/2", and 3"



Threaded



SEE PAGE 9.28 FOR ORDERING INSTRUCTIONS

MUELLER® 2-1/8" POST TYPE FIRE HYDRANT

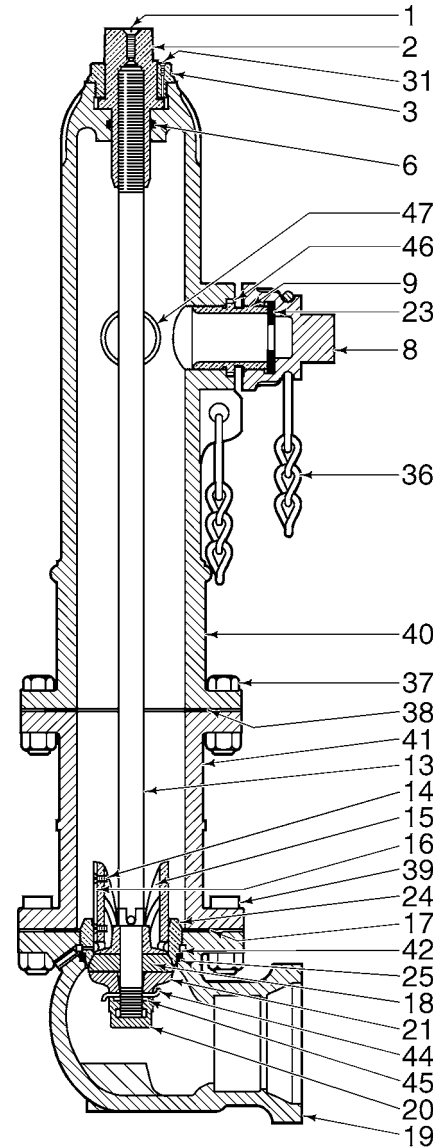


9.25

Shaded area indicates change Rev. 8-04

MUELLER Super Centurion Fire Hydrant Parts

Catalog Part No.	Description	Material	Material Standard
1	Oil Screw for Operating Nut	Brass	ASTM B36
2	Operating Nut	Bronze	ASTM B584
3	Hold Down Nut	Bronze	ASTM B584
6	Operating Nut O-ring	Rubber	ASTM D2000 - BUNA N
8	Hose Nozzle Cap	Cast Iron	ASTM A126 CL.B
9	Hose Nozzle	Bronze	ASTM B584
13	Stem	Steel	ASTM A576 GR.B
14	Drain Valve Screw	Stainless Steel	SAE J429 Grade 2
15	Upper Valve Plate*	Bronze	ASTM B584
16	Drain Valve Facing	Plastic	-
17	Shoe Gasket	Rubber	ASTM D2000 - BUNA N
18	Main Valve	Rubber	ASTM D2000 - SBR
19	Shoe	Cast Iron	ASTM A126 CL.B
20	Valve Plate Nut	Bronze	ASTM B584
21	Lower Valve Plate	Cast Iron	ASTM A126 CL.B
23	Hose Nozzle O-ring	Rubber	ASTM D2000 - Neoprene
24	Seat Ring	Bronze	ASTM B584
25	Seat Ring Gasket	Copper	ASTM B372
31	Oil Screw	Brass	ASTM B36
31B	O-ring (for oil screw)	Rubber	ASTM D2000 - BUNA N
36	Nozzle Cap Chain	Steel	Plated
37	Barrel Flange Bolt and Nut	Steel	ASTM A307 Plated
38	Barrel Flange Gasket	Rubber	ASTM D2000 - BUNA N
39	Shoe Bolt and Nut	Steel	ASTM A307 Plated
40	Upper Barrel	Cast Iron	ASTM A126 CL.B
41	Lower Barrel	Cast Iron	ASTM A126 CL.B
42	O-ring	Rubber	ASTM D2000 - BUNA N
44	Valve Nut Washer	Stainless Steel	ASTM A276
45	Valve Nut Seal	Rubber	ASTM D2000 - BUNA N
46	Nozzle Lock	Stainless Steel	ASTM A276
47	Hose Nozzle Gasket	Rubber	ASTM D2000 - Neoprene



* Includes items #14 and #16. For pre-1986 models refer to parts drawing on page 9.35.



A-312

A-312 Operating wrench - operates nozzle caps, pin and lug type hose couplings, hydrant operating nut and hold down nut.



A-347

A-347 Seat wrench - Adjustable, used to remove main valve and seat ring from ground line level.



A-316

A-316 Nozzle wrench - Used to remove and install threaded in hose and pumper nozzles.



A-317

A-317 Nozzle lock installation tool - Used to install nozzle locking device.

9.26 **Mueller Co.**

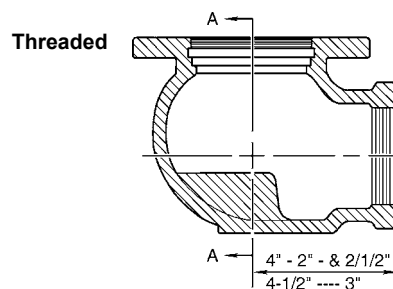
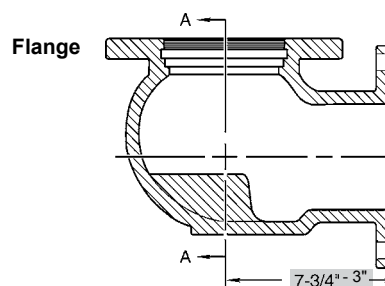
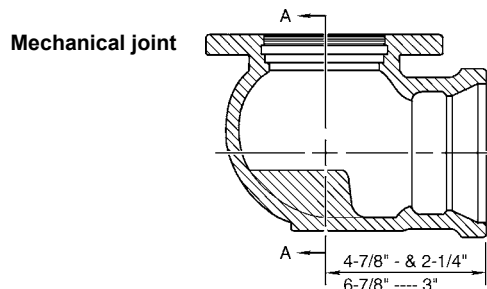
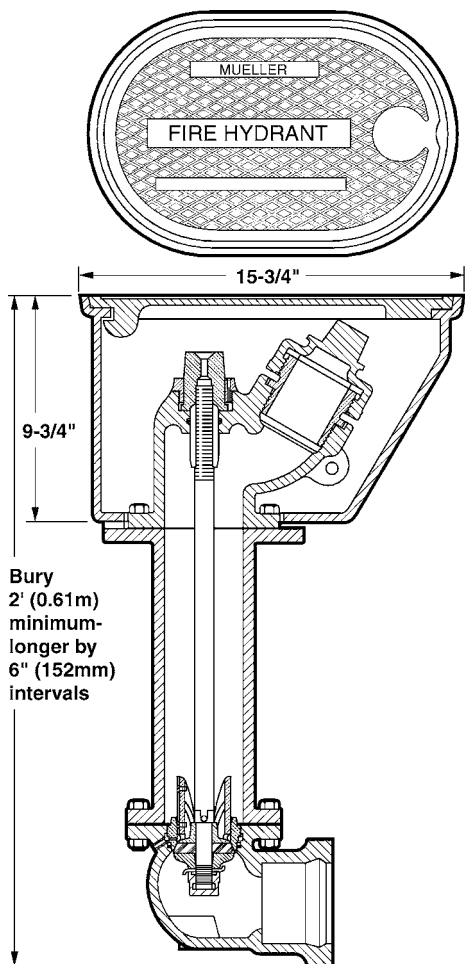
MUELLER® 2-1/8" FLUSH TYPE FIRE HYDRANT

Rev. 4-14 Shaded area indicates changes

- **Catalog numbers -**
A-412 2-1/8" main valve opening one way (one 2-1/2" hose nozzle) non-locking lid
- Meets all applicable parts of ANSI/AWWA C502 Standard
- Flush type dry barrel design
- Compression type main valve closes with pressure
- Cast iron flush box with non-locking lid
- Operating nut available in wide variety of shapes and sizes
- Field replaceable hose nozzles
- Hose nozzles have large radius, full flow openings for low friction loss
- Contoured shoe is designed for full flow
- Dual bronze drain valves provide effective barrel drainage
- 150 psig (1000 kPa/10 barg) maximum working pressure, 300 psig (2100 kPa/21 barg) test pressure



Dimensions



MUELLER® 2-1/8" FLUSH TYPE FIRE HYDRANT

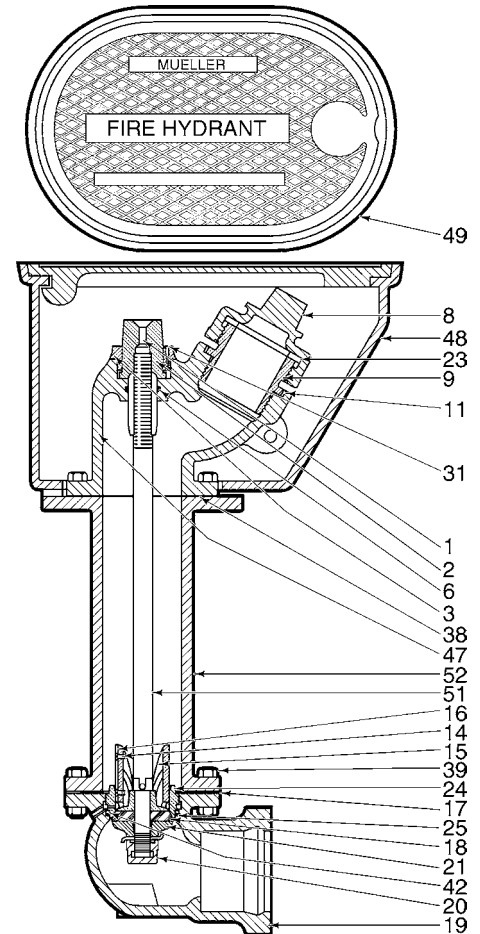


9.27


Shaded area indicates change Rev. 4-14

MUELLER Super Centurion Fire Hydrant Parts


Catalog Part No.	Description	Material	Material Standard
1	Oil Screw for Operating Nut	Brass	ASTM B36
2	Operating Nut	Bronze	ASTM B584
3	Hold Down Nut	Bronze	ASTM B584
6	Operating Nut O-ring	Rubber	ASTM D2000 - BUNA N
8	Hose Nozzle Cap	Cast Iron	ASTM A126 CL.B
9	Hose Nozzle	Bronze	ASTM B584
14	Drain Valve Screw	Stainless Steel	SAE J429 Grade 2
15	Upper Valve Plate*	Bronze	ASTM B584
16	Drain Valve Facing	Plastic	-
17	Shoe Gasket	Rubber	ASTM D2000 - BUNA N
18	Main Valve	Rubber	ASTM D2000 - BUNA N
19	Shoe	Cast Iron	ASTM A126 CL.B
20	Valve Plate Nut (for use on pre1986 models; 1986 models and newer use numbers 43, 44, and 45)	Bronze	ASTM B584
21	Lower Valve Plate	Cast Iron	ASTM A126 CL.B
23	Hose Nozzle Gasket	Rubber	ASTM D2000 - Neoprene
24	Seat Ring	Bronze	ASTM B584
25	Seat Ring Gasket	Copper	ASTM B372
31	Oil Screw	Brass	ASTM B36
38	Barrel Flange Gasket	Rubber	ASTM D2000 - BUNA N
39	Shoe Bolt and Nut	Steel	ASTM A307 Plated
42	O-ring	Rubber	ASTM D2000 - BUNA N
44	Valve Nut Washer (used with numbers 43 and 45 - not shown)	Stainless Steel	ASTM A276
45	Valve Nut Seal (used with numbers 43 and 44 - not shown)	Rubber	ASTM D2000 - BUNA N
46	Nozzle Lock	Stainless Steel	ASTM A276
47	Upper Barrel	Cast Iron	ASTM A126 CL.B
48	Flush Box	Cast Iron	ASTM A126 CL.B
49	Flush Box Lid (non-locking)	Cast Iron	ASTM A126 CL.B
50	Cap Screw	Steel	Electro Galvanized
51	Stem	Steel	ASTM A576 GR.B
52	Lower Barrel	Cast Iron	ASTM A126 CL.B




* Includes items #14 and #16. For pre-1986 models refer to parts drawing on page 9.35.




A-313
A-313 Operating wrench - operates nozzle caps, pin and lug type hose couplings, hydrant operating nut and hold down nut.



A-344
A-344 Seat wrench - Adjustable, used to remove main valve and seat ring from ground line level.



A-316
A-316 Nozzle wrench - Used to remove and install threaded in hose and pumper nozzles.



A-317
A-317 Nozzle lock installation tool - Used to install nozzle locking device.

Rev. 8-04 Shaded area indicates changes

When ordering Fire Hydrants, specify the following:

1. Quantity

If more than one size, quantity of each.

2. Size of main valve opening

3. Catalog number of Fire Hydrant

4. Nozzle arrangement

The catalog number indicates the normal arrangements of hose and pumper nozzles. If a different arrangement is desired, specify the size and number of hose and pumper nozzles required.

5. Depth of trench or bury

Distance from ground line to bottom of connecting pipe. "Trench" and "ditch" are the same as "bury". "Cover" is the distance from the ground to the top of the connecting pipe.

6. Size of inlet connection

7. Type of inlet connection

8. Size and shape of operating nut

National Standard is 1-1/2" pentagon, measured from point to opposite flat. Square and hexagon or other sizes of pentagon can also be furnished. Size is determined by measuring from flat to opposite flat on square and hexagon, and from point to opposite flat on pentagon. Measurements must be taken at base of nut.

9. Direction of opening

Open left (counter-clockwise) or open right (clockwise).

10. Hose nozzle threading

Send a sample of the male coupling on hydrant nozzle to show threads desired, **EXCEPT** in the following cases **(a)** if using National Standard, specify accordingly **(b)** if we have previously furnished hydrants to the same location and there is no change (complete records are kept on file in our Engineering Department for reference).

11. Pumper nozzle threading

Same instructions as 10 above.

12. Color

Unless otherwise specified, the hydrant will be enameled above ground with fire hydrant red. When so ordered, we will enamel any color (or colors) specified to match your existing standards.

When ordering parts, specify the following:

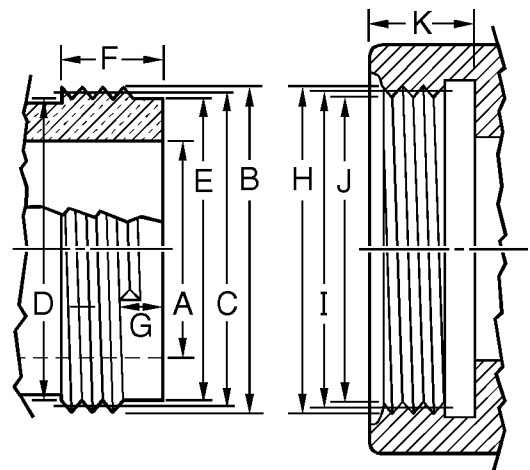
1. Year date shown on hydrant barrel

2. Part number and name
3. Size and catalog number of hydrant
4. Direction of opening
5. Depth of bury
6. Bonnet markings
7. Type of inlet connection
8. Nozzle specifications (see steps 10 and 11 above)

Contact your MUELLER Distributor or MUELLER Customer Service Center for repair parts for discontinued MUELLER Fire Hydrants.

National Standard hose coupling thread specifications

A. Nominal inside diameter of nozzle		2-1/2"	3"	3-1/2"	4"	4-1/2"
Number of threads per inch		7-1/2	6	6	4	4
B. Major diameter nozzle thread	Max.	3.0686	3.6239	4.2439	5.0109	5.7609
	Min.	3.0366	3.5879	4.3079	4.9609	5.7109
C. Pitch diameter nozzle thread	Max.	2.9820	3.5156	4.1356	4.8485	5.5985
	Min.	2.9660	3.4976	4.1176	4.8235	5.5735
D. Minor diameter nozzle thread	Max.	2.8954	3.4073	4.0273	4.6861	5.4361
E. Diameter pilot nozzle		2.850	3.354	3.973	4.610	5.357
F. Length of thread-nozzle*		1"	1-1/8"	1-1/8"	1-1/4"	1-1/4"
G. Face to start of second turn		1/4"	5/16"	5/16"	7/16"	7/16"
H. Major diameter coupling thread	Min.	3.0836	3.6389	4.2639	5.0359	5.7859
	Max.	3.0130	3.5486	4.1736	4.8985	5.6485
I. Pitch diameter coupling thread	Min.	2.9970	3.5306	4.1556	4.8735	5.6235
	Max.	2.9424	3.4583	4.0833	4.7611	5.5111
J. Minor diameter coupling thread	Min.	2.9104	3.4223	4.0473	4.7111	5.4611
K. Depth of coupling		15/16"	1-1/16"	1-1/16"	1-3/16"	1-3/16"



* Manufacturers standard

NOTE: All dimensions are in inches and all dimensional data and tolerances are in accord with ANSI B26.

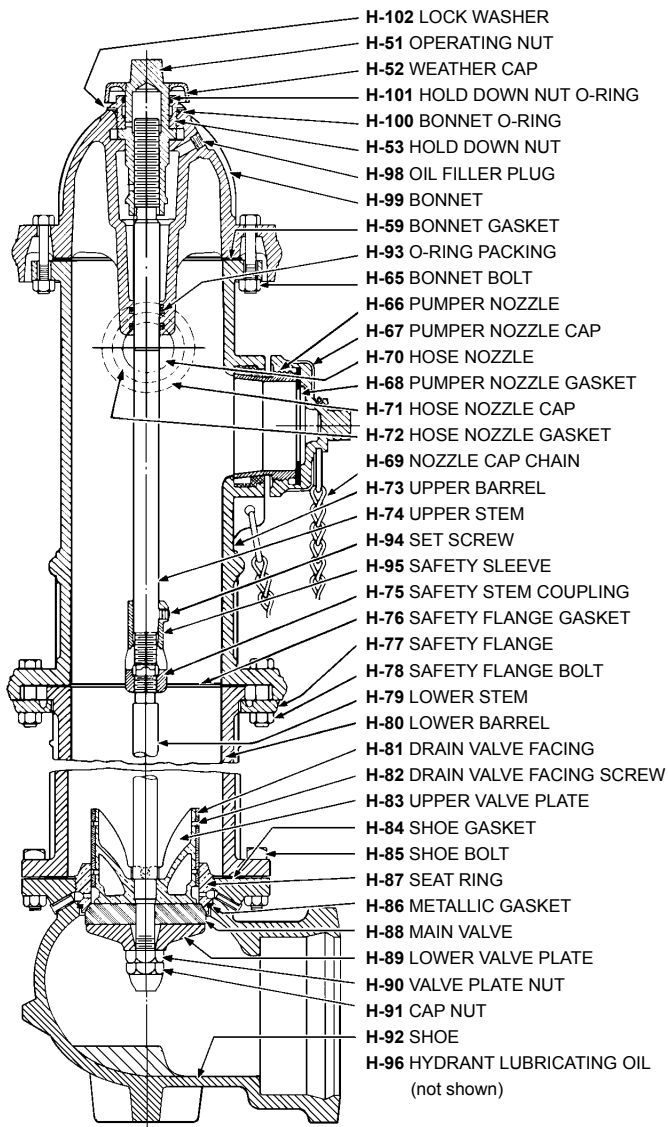
MUELLER® IMPROVED® FIRE HYDRANT PARTS



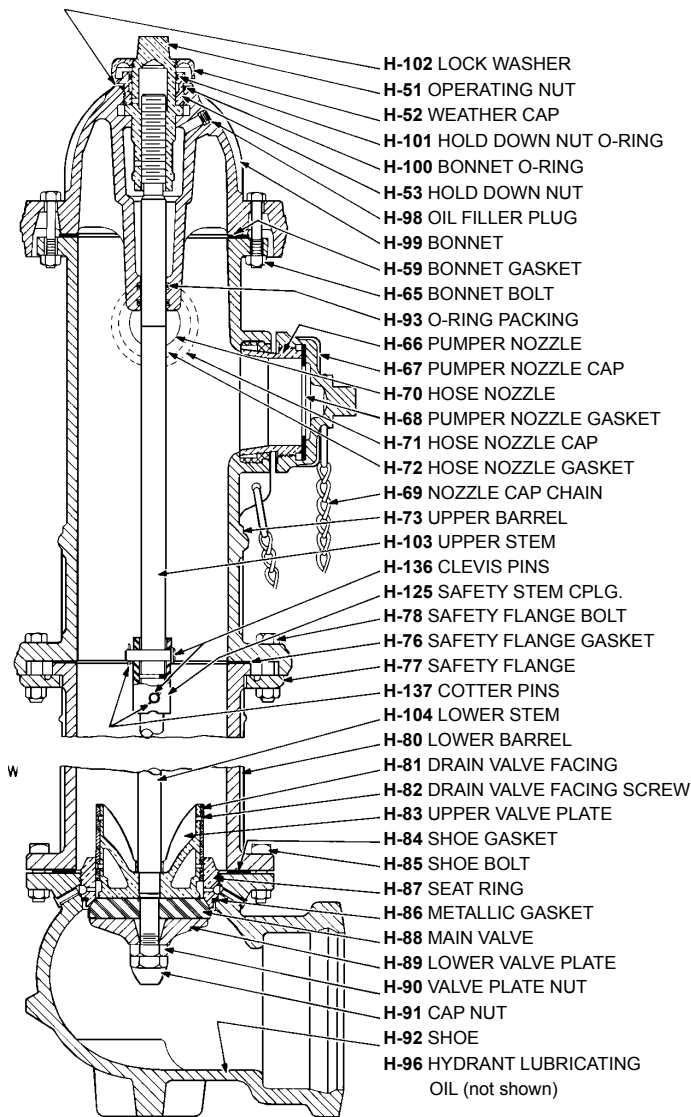
9.29

Shaded area indicates change Rev. 9-09

HYDRANT WITH BRASS SAFETY STEM COUPLING



HYDRANT WITH STEEL SAFETY STEM COUPLING



9.30 **Mueller Co.**

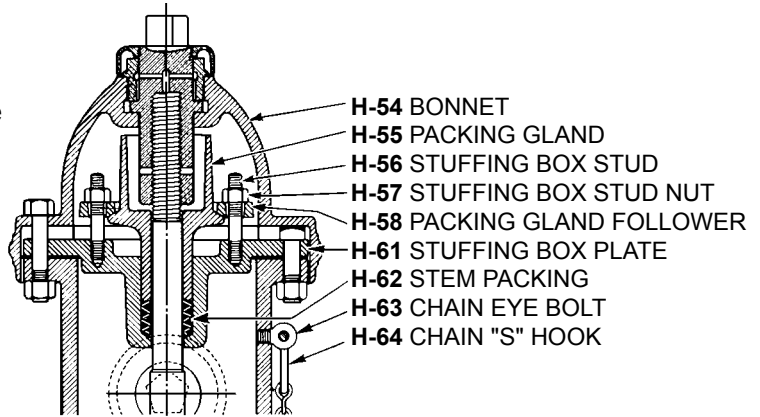
MUELLER® IMPROVED FIRE HYDRANT BONNET PARTS

Rev. 9-09 Shaded area indicates changes

1934 THROUGH 1947

Bonnet section of hydrant with conventional packing and without oil filler plug in bonnet. All other parts same as on previous page.

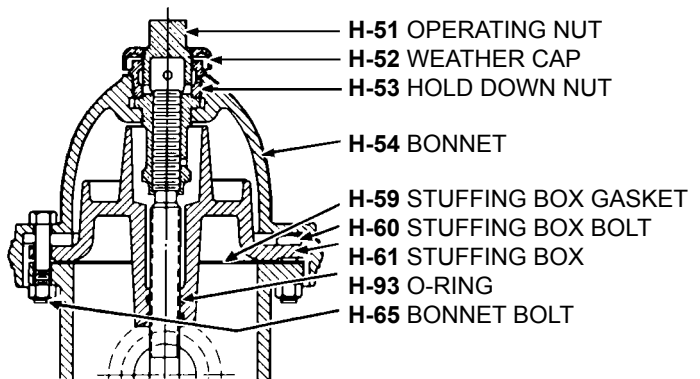
Appearance same as 1948 through 1953 with filler plug. If nozzle chains are attached to eyebolt, bonnet is this style. Packing is conventional.



1948 THROUGH 1953

Bonnet section with O-ring seals and without oil filler plug in bonnet. All other parts same as drawing on previous page. Year date is marked on side of barrel.

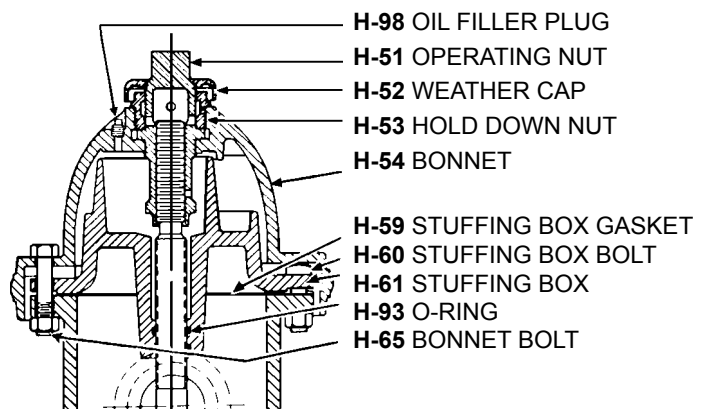
No oil filler plug. Nozzle chains are attached below each nozzle. O-rings now used in place of conventional packing.



1954 THROUGH 1961

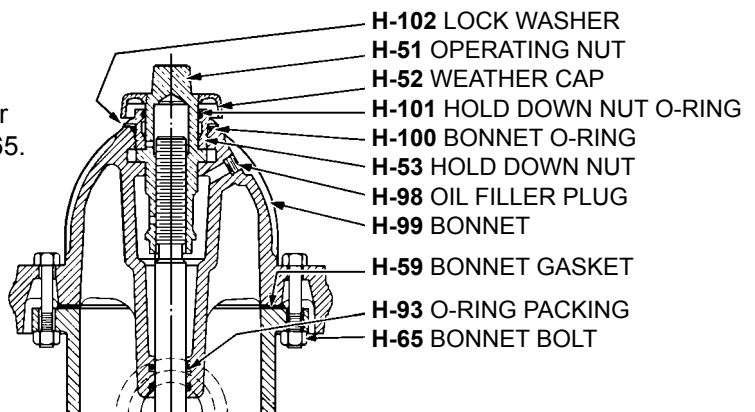
Bonnet section with O-ring seals and oil filler plug in bonnet. All other parts same as drawing on previous page. Year date is marked on side of barrel.

Oil reservoir changed in shape to allow addition of oil without disturbing bonnet. Oil filter plug in vertical position.



HYDRANT WITH SEALED OIL RESERVOIR - 1962 STYLE

Hydrant bonnet is marked SR on top of flange. Oil filler plug is set on an angle. Lock washer was added in 1965. Year date is marked on side of barrel.

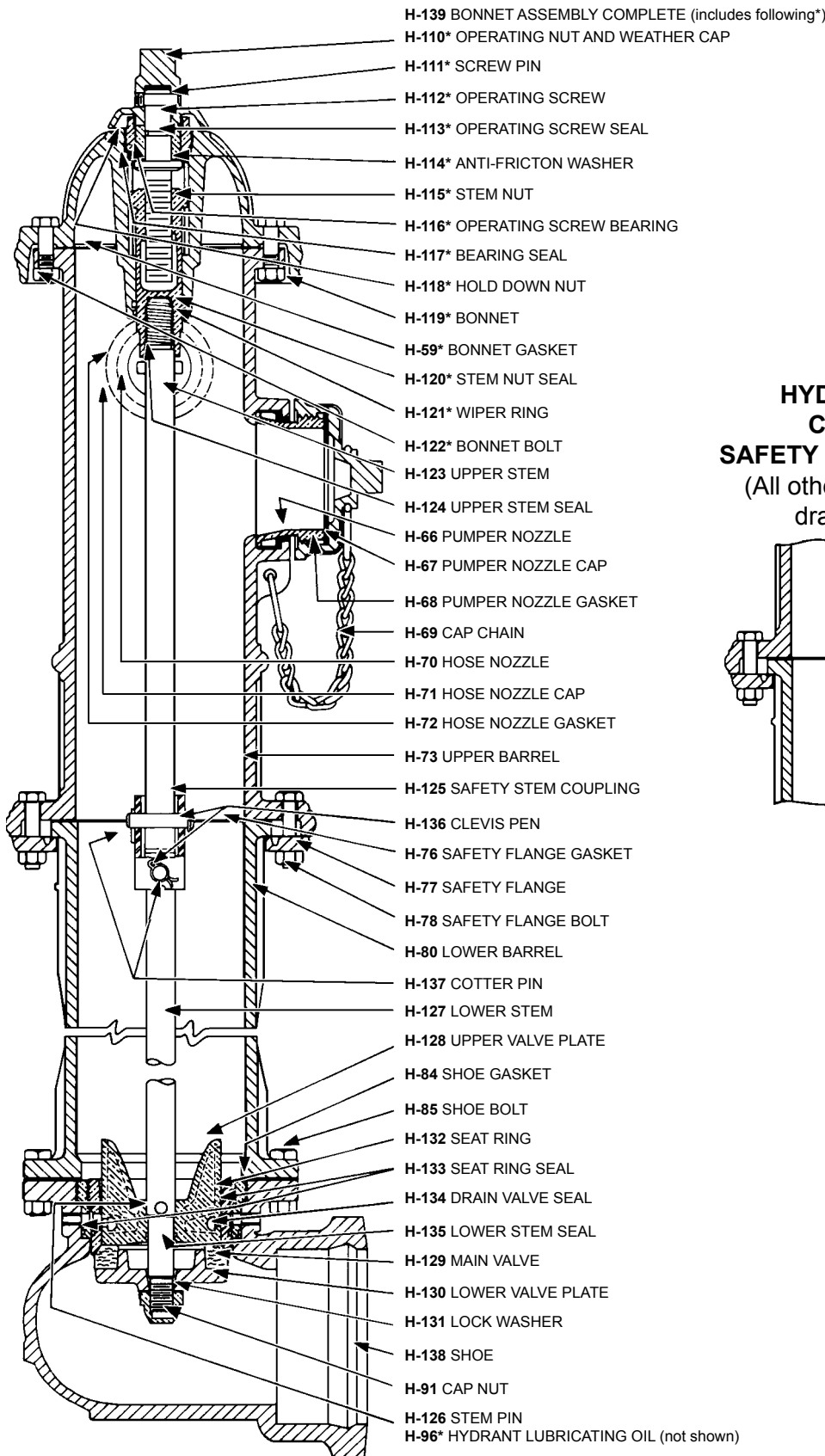


MUELLER® 107® FIRE HYDRANT PARTS

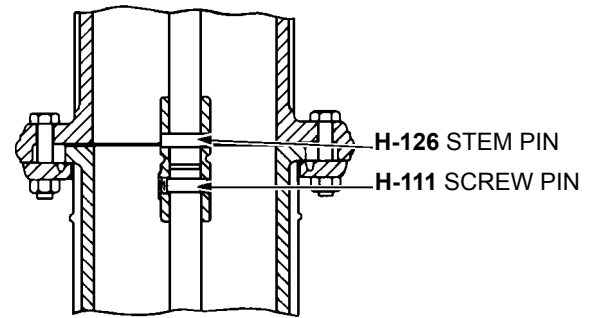


9.31

Shaded area indicates change Rev. 9-09



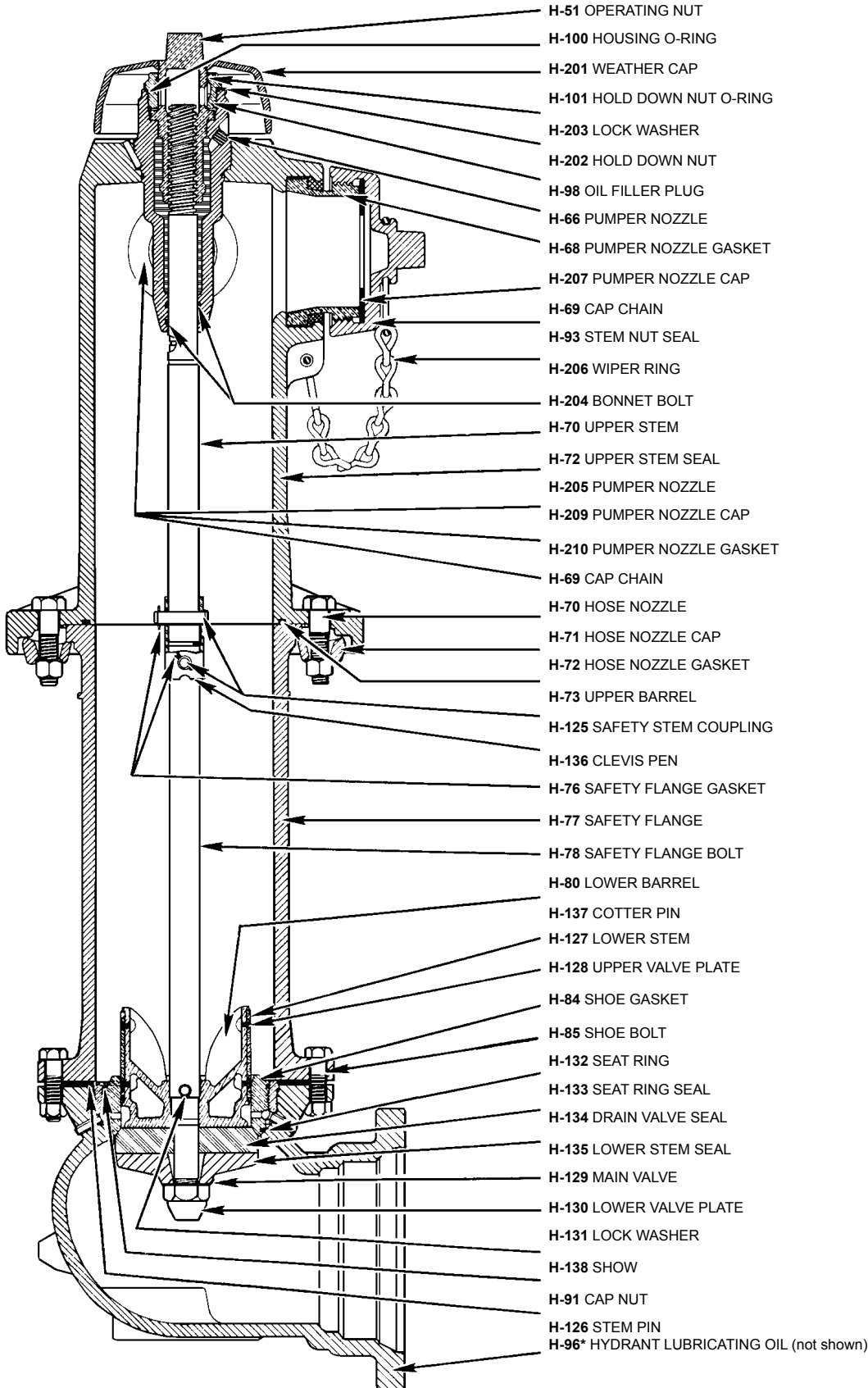
**HYDRANT WITH
CAST IRON
SAFETY STEM COUPLING**
 (All other parts same as
drawing at left)



9.32 **Mueller Co.**

MUELLER® MODERN IMPROVED® FIRE HYDRANT PARTS

Rev. 9-09 Shaded area indicates changes

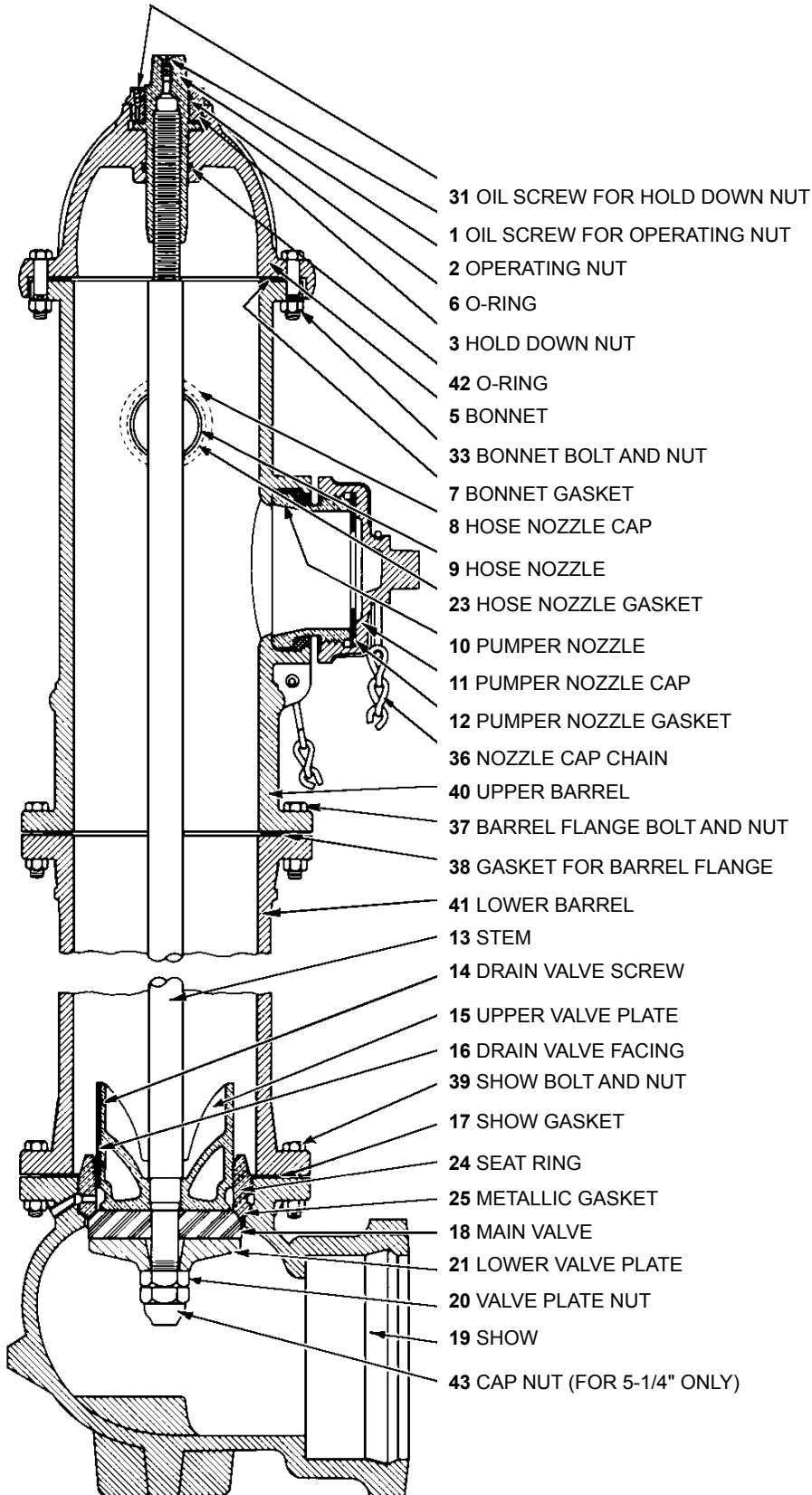


MUELLER® STANDARD FIRE HYDRANT PARTS



9.33

Shaded area indicates change Rev. 9-09



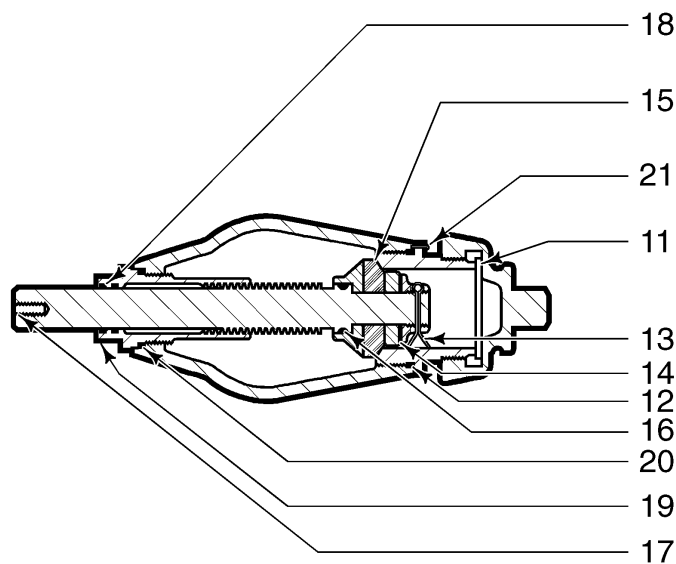
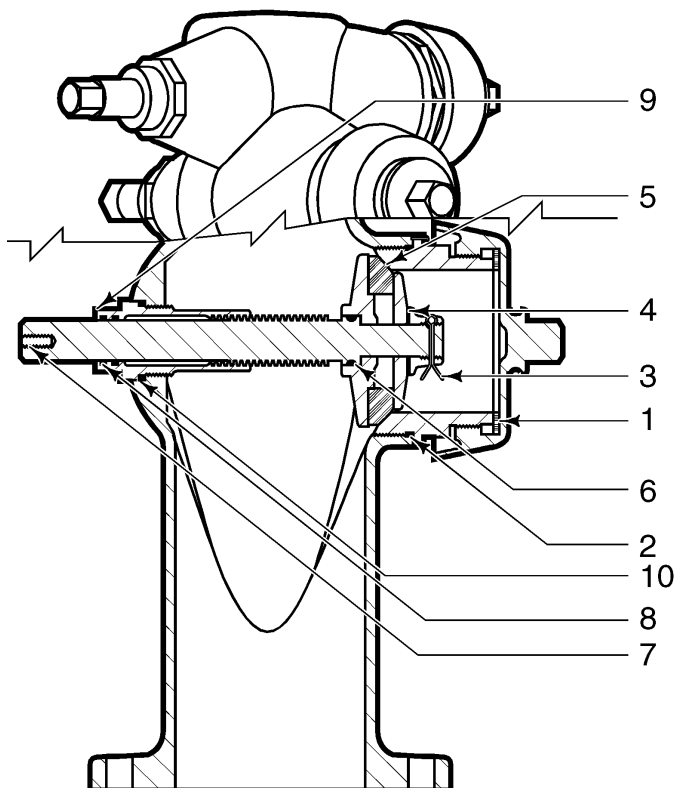
9.34 **Mueller Co.**

MUELLER® HI-FLO® WET BARREL FIRE HYDRANT PARTS

Rev. 9-09 Shaded area indicates changes

MUELLER HI-FLO Wet Barrel Fire Hydrant

Catalog Part No.	Description	Material	Material Standard
1	Pumper Nozzle Cap Gasket	Rubber	ASTM D2000
2	Pumper Nozzle O-ring	Rubber	ASTM D2000
3	Cotter Pin	Silicon Bronze	-
4	Anti-friction Washer	Celcon	-
5	Seat Washer	Rubber	ASTM D2000
6	O-ring	Rubber	ASTM D2000
7	Stem	Bronze	ASTM B584
8	Stuffing Box O-ring	Rubber	ASTM D2000
9	Stuffing Box	Bronze	ASTM B584
10	Barrel O-ring	Rubber	ASTM D2000
11	Hose Nozzle Cap Gasket	Rubber	ASTM D2000
12	Hose Nozzle O-ring	Rubber	ASTM D2000
13	Cotter Pin	Silicon Bronze	Silicon Bronze
14	Anti-friction Washer	Celcon	-
15	Seat Washer	Rubber	ASTM D2000
16	O-ring	Rubber	ASTM D2000
17	Stem	Bronze	ASTM B584
18	Stuffing Box O-ring	Rubber	ASTM D2000
19	Stuffing Box	Bronze	ASTM B584
20	Barrel O-ring	Rubber	ASTM D2000
21	Retaining Ring	Steel	-
-	Rivet (not shown)	Copper	-



Supplier: HD Supply Waterworks, Ltd.

Issue Date

City of Hollywood, Florida
Solicitation # F-4493-16-RL



**Purchase of Fire Hydrants
Solicitation # F-4493-16-RL**

Closing Date: Feb 22, 2016

**Location: City Hall/Procurement Services Division
2600 Hollywood Boulevard, Room 303
Hollywood, Florida 33020**

Supplier: **HD Supply Waterworks, Ltd.**



ACKNOWLEDGMENT AND SIGNATURE PAGE

This form must be completed and submitted by the date and the time of bid opening.

Legal Company Name (include d/b/a if applicable): **HD Supply Waterworks, Ltd.** Federal Tax Identification Number: **03-0550887**

If Corporation - Date Incorporated/Organized:

State Incorporated/Organized:

Company Operating Address: **4310 NW 10th Avneue**

City **Oakland Park** State **FL** Zip Code **33309**

Remittance Address (if different from ordering address):

City State Zip Code

Company Contact Person: **Susan Helms** Email Address: **susan.helms@hdsupply.com**

Phone Number (include area code): **954-772-7343** Fax Number (include area code): **954-772-0443**

Company's Internet Web Address: **www.hdsupply.com**

IT IS HEREBY CERTIFIED AND AFFIRMED THAT THE BIDDER/PROPOSER CERTIFIES ACCEPTANCE OF THE TERMS, CONDITIONS, SPECIFICATIONS, ATTACHMENTS AND ANY ADDENDA. THE BIDDER/PROPOSER SHALL ACCEPT ANY AWARDS MADE AS A RESULT OF THIS SOLICITATION. BIDDER/PROPOSER FURTHER AGREES THAT PRICES QUOTED WILL REMAIN FIXED FOR THE PERIOD OF TIME STATED IN THE SOLICITATION.

Bidder/Proposer's Authorized Representative's Signature: **Susan Helms** Date **2.7.2016**

Type or Print Name: **Susan Helms**

THE EXECUTION OF THIS FORM CONSTITUTES THE UNEQUIVOCAL OFFER OF BIDDER/PROPOSER TO BE BOUND BY THE TERMS OF ITS PROPOSAL. FAILURE TO SIGN THIS SOLICITATION WHERE INDICATED BY AN AUTHORIZED REPRESENTATIVE SHALL RENDER THE BID/PROPOSAL NON-RESPONSIVE. THE CITY MAY, HOWEVER, IN ITS SOLE DISCRETION, ACCEPT ANY BID/PROPOSAL THAT INCLUDES AN EXECUTED DOCUMENT WHICH UNEQUIVOCALLY BINDS THE BIDDER/PROPOSER TO THE TERMS OF ITS OFFER.

Bid/RFP/RFQ Number: F-4493-16-RL Title: Purchase of Fire Hydrants

Procurement Services Division
2600 Hollywood Boulevard, Room 303
Hollywood, Florida 33020

Supplier: HD Supply Waterworks, Ltd.

Issue Date **2.15.2016**

City of Hollywood, Florida
Solicitation # F-4493-16-RL

SUBMISSION

Proposal Due Date: Feb 22, 2016 3:00:00 PM EST

How to submit bids/proposals: Bid should be submitted electronically at www.bidsync.com, unless otherwise stated in the bid document. Bids/proposals submitted by fax or email will NOT be accepted.

Electronic response to this Bid should be submitted through a secure mailbox at BidSync until the date and time as indicated in this document. It is the sole responsibility of the Bidder to ensure its Bid reaches BidSync before the closing date and time specified in this solicitation. There is no cost to the Bidder to submit a response to the City of Hollywood solicitation via BidSync.

Important Notice:

The Procurement Services Division shall distribute all official changes, modifications, responses to questions or notices relating to the requirements of this document. Any other information of any kind from any other source shall not be considered official, and bidders relying on other information do so at their own risk.

The responsibility for submitting a bid/proposal on or before the time and date is solely and strictly the responsibility of the bidder/proposer, the City will in no way be responsible for delays caused by technical difficulty or caused by any other occurrence. No part of a bid/proposal can be submitted via FAX or via direct Email to the City. No variation in price or conditions shall be permitted based upon a claim of ignorance

Supplier: HD Supply Waterworks, Ltd.



CONE OF SILENCE

The City of Hollywood City Commission adopted Ordinance No. O-2007-05, which created Section 30.15(F) imposing a Cone of Silence for certain City purchases of goods and Services.

The Cone of Silence refers to limits on communications held between vendors and vendor's representatives and City elected officials, management and staff during the period in which a Formal Solicitation is open.

The Ordinance does allow potential vendors or vendor's representatives to communicate with designated employees for the limited purpose of seeking clarification or additional information. The names and contact information of those employees that may be contacted for clarification or additional information are included in the solicitation.

The Cone of Silence does not prohibit a vendor or vendor's representative from communicating verbally, or in writing with the City Manager, the City Manager's designee, the City Attorney or the City Attorney's designee on those procurement items to be considered by the City Commission.

The Cone of Silence does not prohibit a vendor or vendor's representative from making public presentations at a duly noticed pre-bid conference or duly noticed evaluation committee meeting or from communicating with the City Commission during a duly noticed public meeting.

The Cone of Silence shall be imposed when a formal competitive solicitation has been issued and shall remain in effect until an award is made, a contract is approved, or the City Commission takes any other action which ends the solicitation.

To view the Cone of Silence, Ordinance No. O-2007-05, go to the City of Hollywood's Official website at <http://www.hollywoodfl.org/ConeOfSilence>

All communications regarding this bid should be sent in writing to the Procurement Services Division as identified in this bid.

Bid/RFP/RFQ Number: F-4493-16-RL Title: Purchase of Fire Hydrants

Supplier: HD Supply Waterworks, Ltd.

Issue Date

City of Hollywood, Florida
IFB # F-4493-16-RL**1.0 GENERAL TERMS AND CONDITIONS****1.1 INSTRUCTIONS TO BIDDERS**

It is the policy of the City to encourage full and open competition among all available qualified vendors. All vendors regularly engaged in the type of Work specified in the Bid Solicitation are encouraged to submit bids. To receive notification and to be eligible to bid vendor should be registered with BidSync. Vendors may register with the BidSync (registration is free) to be included on a mailing list for selected categories of goods and Services. In order to be processed for payment, any awarded vendor must register with the City by completing and returning a Vendor Application and all supporting documents. For information and to apply as a vendor, please visit our website at hollywoodfl.org to download an application and submit it to Procurement Services Division.

1.2 BIDDERS RESPONSIBILITIES

Bidders are required to submit their bids upon the following express conditions:

- A. Bidders shall thoroughly examine the drawings, specifications, schedules, instructions and all other contract documents.
- B. Bidders shall make all investigations necessary to thoroughly inform themselves regarding delivery of material, equipment or Services as required by the bid conditions. No plea of ignorance, by the bidder, of conditions that exist or that may hereafter exist as a result of failure or omission on the part of the bidder to make the necessary examinations and investigations, or failure to fulfill in every detail the requirements of the contract documents, will be accepted as a basis for varying the requirements of the City or the compensation due the bidder.
- C. Bidders are advised that all City contracts are subject to all legal requirements provided for in the City of Hollywood Charter, Code of Ordinances and applicable County Ordinances, State Statutes and Federal Statutes.

1.3 PREPARATION OF BIDS

Bids will be prepared in accordance with the following:

- A. The City's enclosed Bid Proposal Form, in its entirety, is to be used in submitting your bid. **NO OTHER FORM WILL BE ACCEPTED.**
- B. All information required by the bid form shall be furnished. The bidder shall sign each continuation sheet (where indicated) on which an entry is made.
- C. Unit prices shall be shown and where there is an error in extension of prices, the unit price shall govern.
- D. Alternate bids will not be considered unless authorized in the Invitation to Bid document.
- E. Proposed delivery time must be shown in calendar days, which shall include weekends and holidays.

The City of Hollywood is exempt from payment to its vendors of State of Florida sales tax and, therefore, such taxes should not be figured into the bid. However, this exemption does not apply to vendors' purchases of goods or Services used in Work or goods supplied to the City. Vendors are responsible for any taxes, sales or otherwise, levied on their purchases, subcontracts, employment, etc. An exemption certificate will be signed where applicable, upon request. The City will pay no sales tax.

1.4 DESCRIPTION OF SUPPLIES

Any manufacturer's names, trade names, brand names, or catalog numbers used in these applications are for the purpose of describing and establishing minimum requirements or level of quality, standards of performance, and design required, and are in no way intended to prohibit the bidding of other manufacturers' items of equal material, unless specifications state "NO SUBSTITUTIONS."

Bidders must indicate any variances to the specifications, terms, and conditions, no matter how slight. If variations are not stated in the Proposal, it shall be construed that the bid fully complies with the Specifications, Terms and Conditions.

Bidders are required to state exactly what they intend to furnish; otherwise they shall be required to furnish the items as specified.

Bidders will submit, with their bids, necessary data (factory information sheets, specifications, brochures, etc.) to evaluate and determine the quality of the item(s) they are bidding.

The City shall be the sole judge of equality and its decision shall be final.

1.5 ADDENDA

The Procurement Services Division may issue an addendum in response to any inquiry received, prior to Bid opening, which changes, adds to or clarifies the terms, provisions or requirements of the solicitation. The Bidder should not rely on any representation, statement or explanation, whether written or verbal, other than those made in this Bid solicitation document or in any addendum issued. Where there appears to be a conflict between this Bid solicitation and any addendum the last addendum issued shall prevail. It is the Bidder's responsibility to ensure receipt of all addenda and any accompanying documents. Bidder(s) shall acknowledge receipt of any formal addendum by signing the addendum and including it with their Bid. Failure to include a signed formal Addendum in its Bid shall deem the Bid non-responsive; provided, however, that the City may waive this requirement in its best interest.

1.6 REJECTION OF BIDS

The City may reject a bid if:

- A. The Bidder fails to acknowledge receipt of an addendum, or if
- B. The Bidder misstates or conceals any material fact in the bid, or if
- C. The bid does not strictly conform to the law or requirements of the bid, or if
- D. The bid is conditional, except that the Bidder may qualify its bid for acceptance by the City on an "all or none" basis, group basis, or a "low item" basis. An "all or none" basis bid must include all items upon which bids are invited.
- E. The City is under a pre-lawsuit claim from the Bidder or is involved in current litigation with the Bidder.

The City may reject all bids whenever it is deemed in the best interest of the City to do so, and may reject any part of a bid unless the bid has been qualified as provided in paragraph D above.

1.7 WITHDRAWAL OF BIDS

- A. Bids shall be deemed enforceable for a period of 120 days after the time set for the bid opening.
- B. Bids may be withdrawn prior to the time set for the bid opening. Such request must be in writing.
- C. The City may permanently retain as liquidated damages the bid deposit furnished by any Bidder who requests to withdraw a bid after the bid opening.

1.8 LATE BIDS OR MODIFICATIONS

Only bids or proposals received as of the opening date and time will be considered timely. Bids and modifications received after the time set for the bid opening will be returned un-opened to the sender and rejected as late.

1.9 CONFLICTS WITHIN THE BID SOLICITATION

Where there appears to be a conflict between the General Terms and Conditions, Special Conditions, the Technical Specifications, the Bid Submittal Section, or any addendum issued, the order of precedence shall be the addenda in reverse chronological order, the Bid Submittal Section, the Technical Specifications, the Special Conditions, and then the General Terms and Conditions.

1.10 CLARIFICATION OR OBJECTION TO BID SPECIFICATIONS

If any person contemplating submitting a bid for this contract is in doubt as to the true meaning of the specifications or other bid documents or any part thereof, he or she may submit to the Procurement Services Division on or before the date specified for a request for clarification. All such requests for clarification shall be made in writing and the person submitting the request will be responsible for its prompt delivery. Any interpretation of the bid, if made, will be made only by Addendum duly issued. A copy of such Addendum will be made available to each person receiving an Invitation for Bids. The City will not be responsible for any other explanation or interpretation of the proposed bid made or given prior to the award of the contract. Any objection to the specifications and requirements as set forth in this bid must be filed in writing with the Director of Procurement Services on or before the date specified for a request for clarification.

1.11 INVOICING/PAYMENT

All invoices should be sent to: City of Hollywood, Financial Services Department, P.O. Box 229045, Hollywood, Florida 33022-9045. In accordance with Florida Statutes Chapter 218, payment will be made within 45 days after receipt of Services and a proper invoice. The City cannot make advance payments, make deposits in advance of receipt of goods, or pay C.O.D. Bidders should state any payment discount in the space provided on the proposal form.

Payment will be made by the City after commodities/Services have been received, accepted and properly invoiced as indicated in the contract and/or order. Invoices must reference the purchase order number or contract number.

When a contractor receives from the City of Hollywood any payment for contractual Services, commodities, materials, supplies, or construction contracts, the contractor shall pay such moneys received to each Subcontractor and Material Supplier in proportion to the percentage of Work completed by each Subcontractor and Material Supplier at the time of receipt. If the contractor receives less than full payment, then the contractor shall be required to disburse only the funds received, on a pro rata basis, to the Subcontractors and Material Suppliers, each receiving a prorated portion based on the amount due on the payment. If the contractor, without reasonable cause, fails to make payments required by this section to Subcontractors and Material Suppliers within fifteen (15) Working days after the receipt by the contractor of full or partial payment, the contractor shall pay to the Subcontractors and Material Suppliers a penalty in the amount of one percent (1%) of the amount due, per month, from the expiration of the period allowed herein for payment. Such penalty shall be in addition to actual payments owed. Retainage is also subject to the prompt payment requirement and must be returned to the Subcontractor or Material Supplier whose Work has been completed, even if the prime contract has not been completed. The Contractor shall include the above obligation in each subcontract it signs with a Subcontractor or Material Supplier.

1.12 TOTAL BID DISCOUNT

If a Bidder offers a discount for the award of all items listed in the bid, such discount shall be deducted from the total of the firm net unit prices bid and shall be considered in the tabulation and award of the bid.

Bidder may offer cash discounts for prompt payment; however, such discounts shall NOT be considered in determining the lowest net cost for bid evaluation purposes. Bidders are encouraged to reflect cash discounts in the unit prices quoted.

In connection with any discount offered, time will be computed from the date of receipt of supplies or Services or from the date a correct invoice is received, whichever is the later date. Payment is deemed to be made on the date of mailing of the check.

1.13 COMPETENCY OF BIDDERS

A. Pre-award inspection of the Bidder's facility may be made prior to the award of a contract. Bids will be considered only from firms which are regularly engaged in the business of providing the goods and/or Services as described in this Bid; have a record of performance for a reasonable period of time; and have sufficient financial support, equipment and organization to ensure that they can satisfactorily deliver the material and/or Services if awarded a Contract under the terms and conditions herein stated. The terms

"equipment and organization" as used herein shall be construed to mean a fully equipped and well established company in line with the best business practices in the industry and as determined by the proper authorities of the City.

- B. The City may consider any evidence available to it of the financial, technical and other qualifications and abilities of a Bidder, including past performance (experience), in making the award in the best interest of the City. In all cases, the City of Hollywood shall have no liability to any contractor for any costs or expenses incurred in connection with this bid or otherwise.

1.14 NOTICE REQUIREMENTS

All notices required or permitted under the Agreement shall be in writing and shall be deemed sufficiently served if delivered by Registered or Certified Mail, with return receipt requested; or delivered personally; or delivered via fax or e-mail (if provided below) and followed with delivery of a hard copy; and in any case addressed as follows:

To the City

Project Manager: Robert Lowery
 City of Hollywood
 Attention: Robert Lowery
 Phone: 954-921-3552
 Fax:
 E-mail: RLOWERY@hollywoodfl.org

and,

To the Director of Procurement Services:

Joel Wasserman
 Procurement Services Division
 P.O. Box 229045
 Hollywood, FL 33022-9045
 Phone: (954)921-3290 Fax: (954)921-3086
 Email: procurement@hollywoodfl.org

To the Contractor

Notices will be sent to the contractor at the physical address, e-mail address, fax number and to the person listed in the Contractor's proposal, as applicable.

Either party may at any time designate a different address and/or contact person by giving written notice as provided above to the other party. Such notices shall be deemed given upon receipt by the addressee.

1.15 EMPLOYEES

All employees of the Contractor shall be considered to be at all times the sole employees of the Contractor, under the Contractor's sole direction, and not employees or agents of the City of Hollywood. The Contractor shall supply competent and physically capable employees and the City is authorized to require the Contractor to remove any employee it deems careless, incompetent, insubordinate or otherwise objectionable and whose presence on City property is not in the best interest of the City.

Each employee at all times shall have and display in plain view proper identification. The names of the employee and the company shall be displayed on the front of the employee's shirt.

1.16 AWARD OF BID

- A. The Evaluation Committee will make a recommendation based upon the lowest responsive and responsible bidder(s) whose bid(s) conforms to the Invitation for Bids and is most advantageous to the City.
- B. The City reserves the right to accept and award item by item, and/or by group, or in the aggregate, unless the bidder qualifies its bid by specified limitations.
- C. One or more Contractors may be designated as approved Primary or Secondary Vendor(s) for the delivery of material and/or Services from this contract through the effective period of the award. In any situation where obtaining Services from the Primary Vendor (s) is not in the best interest of the City, or the vendor cannot

deliver material and/or Services within 24 hours of the date required, or on an emergency basis, staff may obtain Services from the Secondary Vendor (s).

- D. One or more Contractors may be designated as approved on an alternating/rotating basis for the delivery of materials and/or Services from this contract through the effective period of the award. In situations where obtaining Services from the alternating vendor is not in the best interest of the city, or the vendor cannot deliver material and/or Services within 24 hours of the date required, or on an emergency basis, staff may obtain material and/or Services from the next available vendor.
- E. The successful Bidder shall be notified in writing of the award.
- F. Delivery of materials and/or Services shall be performed upon receipt by the successful bidder of a numbered, signed purchase order, blanket purchase order or fully executed agreement.

1.17 BID PROTESTS

The City shall provide notice of its intent to award or reject to all bidders by posting such notice on the City's website.

After a notice of intent to award a contract is posted, any actual or prospective bidder who is aggrieved in connection with the pending award of the contract or any element of the process leading to the award of the contract may protest to the Director of Procurement Services. A protest must be filed within five business days after posting or any right to protest is forfeited. The protest must be in writing, must identify the name and address of the protester, and must include a factual summary of, and the basis for, the protest. Filing shall be considered complete when the protest, including a deposit, is received by the Procurement Services Division. Failure to file a protest within the time-frame specified herein shall constitute a full waiver of all rights to protest the City's decision regarding the award of the bid.

- A. The written protest shall state in detail the specific facts and law or ordinance upon which the protest of the proposed award is based, and shall include all pertinent documents.
- B. A written protest may not challenge the relative weight of evaluation criteria or a formula for assigning points.
- C. Upon receipt of a formal written protest, the City may stop award proceedings until resolution of the protest; unless it has been determined that the award of the contract without delay is necessary to protect substantial interests of the City.

Any and all costs incurred by a protesting party in connection with a bid protest pursuant to this section shall be the sole responsibility of the protesting party.

Upon receipt of a protest of the pending award of a contract, a copy of the protest shall promptly be forwarded to the City Attorney. The City Attorney shall thereupon review the charge to determine its sufficiency, including whether the protest was timely filed. If upon review the City Attorney determines that the charge is insufficient, the City Attorney may issue a summary dismissal of the protest. If upon review the City Attorney determines that the charge is sufficient, a hearing of the protest committee shall be scheduled.

A protest committee shall have the authority to review, settle and resolve the protest. The committee shall consist of three members appointed by the City Manager. The committee's review shall be informal.

If the protest committee determines that the pending award of a contract or any element of the process leading to the award involved a significant violation of law or applicable rule or regulation, all steps necessary and proper to correct the violation shall be taken. If the committee determines that the protest is without merit, the Directory shall promptly issue a decision in writing stating the reason for the decision and furnish a copy to the protestor and any other interested party, and the process leading to the award shall proceed.

1.18 AGREEMENT

An agreement shall be sent to the awarded bidder to be executed and returned to the City for execution. The City will provide a copy of the fully executed agreement to the awarded bidder.

1.19 NOTICE TO PROCEED

A signed Purchase Order, blanket purchase order or fully executed agreement will be the Contractor's

authorization to proceed and may substitute for a "Notice to Proceed" form.

1.20 OTHER GOVERNMENTAL ENTITIES

If the Bidder is awarded a contract as a result of this IFB, the bidder may, if the bidder has sufficient capacity or quantities available, provide to other governmental agencies so requesting the products or Services awarded in accordance with the terms and conditions of the IFB and resulting contract.

1.21 DISQUALIFICATION OF BIDDERS

A bidder may be disqualified temporarily or permanently and its bid(s) rejected for:

- A. Poor performance or default, in the City's opinion, on one or more previous contracts with the City.
- B. Poor performance or default, in the City's opinion, on one or more previous contracts with other public entities.
- C. Insufficient financial or company size, in the City's opinion, to perform the requirements of the contract.

1.22 RESERVATIONS FOR AWARD AND REJECTION OF BIDS

The City reserves the right to accept or reject any or all bids, part of bids, and to waive minor irregularities or variations to specifications contained in bids, and minor irregularities in the bidding process. The City also reserves the right to award the contract on a split order basis, lump sum basis, individual item basis, or such combination as shall best serve the interest of the City. The City reserves the right to make an award to the responsive and responsible bidder whose product or service meets the terms, conditions, and specifications of the IFB and whose bid is considered to best serve the City's interest. In determining the responsiveness of the offer and the responsibility of the Bidder, the following shall be considered when applicable: the ability, capacity and skill of the Bidder to perform as required; whether the Bidder can perform promptly, or within the time specified, without delay or interference; the character, integrity, reputation, judgment, experience and efficiency of the Bidder; the quality of past performance by the Bidder; the previous and existing compliance by the Bidder with related laws and ordinances; the sufficiency of the Bidder's financial resources; the availability, quality and adaptability of the Bidder's supplies or Services to the required use; the ability of the Bidder to provide future maintenance, service or parts; the number and scope of conditions attached to the bid.

If the IFB provides for a contract trial period, the City reserves the right, in the event the selected bidder does not perform satisfactorily, to award a trial period to the next ranked bidder or to award a contract to the next ranked bidder, if that bidder has successfully provided Services to the City in the past. This procedure will continue until a bidder is selected or the contract is re-bid, at the sole option of the City.

1.23 SUBCONTRACTING

Unless otherwise specified in this Bid Solicitation, the successful Bidder shall not subcontract any portion of the Work without the prior written consent of the City. The ability to subcontract may be further limited by the Special Conditions. Subcontracting without the prior consent of the City may result in termination of the contract for default.

1.24 ASSIGNMENT

The successful Bidder shall not assign, transfer, hypothecate, or otherwise dispose of this contract, including any rights, title or interest therein, or its power to execute such contract to any person, company or corporation without the prior written consent of the City.

1.25 LOCAL, STATE AND FEDERAL COMPLIANCE REQUIREMENTS

Bidders shall comply with all local, state and federal directives, orders and laws as applicable to this bid and subsequent contract(s) including, but not limited to:

- A. Equal Employment Opportunity (EEO), in compliance with Executive Order 11246 as amended and applicable to this contract.
- B. All manufactured items and fabricated assemblies shall comply with applicable requirements of the Occupation Safety and Health Act of 1970 as amended, and be in compliance with Chapter 442,

Florida Statutes. Any toxic substance listed in Section 38F-41.03 of the Florida Administrative Code delivered as a result of this order must be accompanied by a completed Material Safety Data Sheet (MSDS).

- C. The Immigration and Nationality Act prohibits (i) the employment of an unauthorized alien when the employer knows the individual is an unauthorized alien and (ii) the employment of an individual without complying with the requirements of the federal employment verification system. If a contractor commits either of these violations, such violation shall be cause for unilateral cancellation of the contract.
- D. This Section applies to any contract for goods or Services of \$1 million or more: The Contractor certifies that it is not on the Scrutinized Companies with Activities in Sudan List or the Scrutinized Companies with Activities in the Iran Petroleum Energy Sector List and that it does not have business operations in Cuba or Syria as provided in section 287.135, Florida Statutes (2011), as may be amended or revised. The City may terminate this Contract at the City's option if the Contractor is found to have submitted a false certification as provided under subsection (5) of section 287.135, Florida Statutes (2011), as may be amended or revised, or been placed on the Scrutinized Companies with Activities in Sudan List or the Scrutinized Companies with Activities in the Iran Petroleum Energy Sector List or has engaged in business operations in Cuba or Syria, as defined in Section 287.135, Florida Statutes (2011), as may be amended or revised.

1.26 FRAUD AND MISREPRESENTATION

Any individual, corporation or other entity that attempts to meet its contractual obligations with the City through fraud, misrepresentation or material misstatement, may be debarred from doing business with the City. The City as further sanction may terminate or cancel any other contracts with such individual, corporation or entity. Such individual, corporation or entity shall be responsible for all direct or indirect costs associated with termination or cancellation, including attorney's fees.

1.27 DEBARRED OR SUSPENDED BIDDERS OR PROPOSERS

The bidder certifies, by submission of a response to this solicitation, that neither it nor its principals and subcontractors are presently debarred or suspended by any Federal department or agency.

1.28 COLLUSION

The bidder, by affixing its signature to this proposal, agrees to the following: "Bidder certifies that its bid is made without previous understanding, agreement, or connection with any person, firm or corporation, making a bid for the same items, or the initiating City department, and is in all respects fair, without outside control, collusion, fraud, or otherwise illegal action."

1.29 COPELAND "ANTI-KICKBACK"

Contractor and all subcontractors will comply with the Copeland Anti-Kickback Act (18 U.S.C. 874) as supplemented in Department of Labor regulations (29 CFR Part 3).

1.30 FORCE MAJEURE

The Agreement which is awarded to the successful Bidder may provide that the performance of any act by the City or Contractor thereunder may be delayed or suspended at any time while, but only so long as, either party is hindered in or prevented from performance by acts of God, the elements, war, rebellion, strikes, lockouts or any cause beyond the reasonable control of such party, provided however, the City shall have the right to provide substitute service from third parties or City forces and in such event the City shall withhold payment due Contractor for such period of time. If the condition of force majeure exceeds a period of 14 days the City may, at its option and discretion, cancel or renegotiate the Agreement.

1.31 ASBESTOS STATEMENT

All material supplied must be 100% asbestos free. A Bidder, by virtue of bidding, certifies that if awarded any portion of the IFB, it will supply only material or equipment that is 100% asbestos free.

1.32 GOVERNING LAW

This Contract, including appendices, and all matters relating to this Contract (whether in contract, statute, tort (such as negligence), or otherwise) shall be governed by, and construed in accordance with, the substantive and procedural laws of the State of Florida. This will apply notwithstanding such factors as where the contract is entered into and the place where the accident occurs and notwithstanding conflicts of law principles that would otherwise apply.

1.33 LITIGATION VENUE

The parties waive the privilege of venue and agree that all litigation between them in the state courts shall take place in Broward County, Florida and that all litigation between them in the federal courts shall take place in the Southern District of Florida.

1.34 SOVEREIGN IMMUNITY

Nothing in this agreement shall be interpreted or construed to mean that the City waives its common law sovereign immunity or the limits on liability set forth in Section 768.28, Florida Statute.

1.35 SURVIVAL

The parties acknowledge that any of the obligations in this Agreement will survive the term, termination and cancellation hereof. Accordingly, the respective obligations of the Contractor and the City under this Agreement, which by nature would continue beyond the termination, cancellation or expiration thereof, shall survive termination, cancellation or expiration hereof.

1.36 INDEMNIFICATION AND HOLD HARMLESS AGREEMENT

The Contractor shall indemnify and hold harmless the City of Hollywood and its officers, employees, agents and instrumentalities from any and all liability, losses or damages. In addition, the City shall be entitled to attorney's fees and costs of defense, which the City of Hollywood, or its officers, employees, agents or instrumentalities may incur as a result of claims, demands, suits, causes of actions or proceedings of any kind or nature arising out of, relating to or resulting from the performance of this project by the awarded bidder or its employees, agents, servants, partners, principals or subcontractors. Furthermore, the awarded bidder shall pay all claims and losses in connection therewith and shall investigate and defend all claims, suits or actions of any kind of nature in the name of the City of Hollywood, where applicable, including appellate proceedings, and shall pay all costs, judgments, and attorney's fees which may issue thereon. The awarded bidder expressly understands and agrees that any insurance protection required by the resulting agreement or otherwise provided by the awarded bidder shall cover the City of Hollywood, its officers, employees, agents and instrumentalities and shall include claims for damages resulting from and/or caused by the negligence, recklessness or intentional wrongful misconduct of the Contractor and persons employed by or utilized by the Contractor in the performance of the contract.

1.37 PATENT AND COPYRIGHT INDEMNIFICATION

- A. The Contractor warrants that all Deliverables furnished hereunder, including but not limited to: Services, equipment programs, documentation, software, analyses, applications, methods, ways, processes, and the like, do not infringe upon or violate any patents, copyrights, service marks, trade secrets, or any other third party proprietary rights.
- B. The Contractor shall be liable and responsible for any and all claims made against the City for infringement of patents, copyrights, service marks, trade secrets or any other third party proprietary rights, by the use or supplying of any programs, documentation, software, analyses, applications, methods, ways, processes, and the like, in the course of performance or completion of, or in any way connected with, the Work, or the City's continued use of the Deliverables furnished hereunder. Accordingly, the Contractor at its own expense, including the payment of attorney's fees, shall indemnify, and hold harmless the City and its officers, agents and employees and defend any action brought against the City or any of its officers, agents or employees with respect to any claim, demand, and cause of action, debt, or liability.

- C. In the event any deliverable or anything provided to the City hereunder, or a portion thereof is held to constitute an infringement and its use is or may be enjoined, the Contractor shall have the obligation, at the City's option, to (i) modify, or require that the applicable subcontractor or supplier modify, the alleged infringing item(s) at the Contractor's expense, without impairing in any respect the functionality or performance of the item(s), or (ii) procure for the City, at the Contractor's expense, the rights provided under this Agreement to use the item(s).

- D. The Contractor shall be solely responsible for determining and informing the City whether a prospective supplier or subcontractor is a party to any litigation involving patent or copyright infringement, service mark, trademark, violation, or other proprietary rights claim or is subject to any injunction which may prohibit it from providing any deliverable hereunder. The Contractor shall enter into agreements with all suppliers and subcontractors at the Contractor's own risk. The City may reject any deliverable that it believes to be the subject of any such litigation or injunction, or if, in the City's judgment, use thereof would delay the Work or be unlawful.

- E. The Contractor shall not infringe any copyright, trademark, service mark, trade secret, patent right, or other intellectual property right in the performance of the Work.

1.38 PUBLIC RECORDS LAW

If applicable, for each public agency contract for Services, the Contractor is required to comply with F.S. 119.0701, which includes the following:

- A. Keep and maintain public records that ordinarily and necessarily would be required by the public agency in order to perform the service.

- B. Provide the public with access to public records on the same terms and conditions that the public agency would provide the records and at a cost that does not exceed the cost provided in this chapter or as otherwise provided by law.

- C. Ensure that public records that are exempt or confidential and exempt from public records disclosure requirements are not disclosed except as authorized by law.

- D. Meet all requirements for retaining public records and transfer, at no cost, to the public agency, all public records in possession of the contractor upon termination of the contract and destroy any duplicate public records that are exempt or confidential and exempt from public records disclosure requirements. All records stored electronically must be provided to the public agency in a format that is compatible with the information technology systems of the public agency.

Non-exempt public records may be inspected and examined by anyone desiring to do so, at a reasonable time, under reasonable conditions, and under supervision by the custodian of the public record. Sealed bids become subject to this statute, notwithstanding bidders' or proposers' requests to the contrary, at the time the City provides notice of a decision or intended decision, or 30 days after bid or proposal opening, whichever is earlier.

Financial statements submitted in response to a request by the City may be confidential, and exempt from disclosure. Data processing software obtained under a licensing agreement which prohibits its disclosure is also exempt.

Bidders are hereby notified and agree that all information submitted as part of, or in support of bid submittals will be available for public inspection after opening of bids in compliance with Chapter 119 of the Florida Statutes. The bidder shall not, unless required as part of this IFB, submit any information in response to this invitation which the bidder considers to be a trade secret, proprietary or confidential. The submission, not required as part of this this IFB, of any information to the City in connection with this invitation shall be deemed conclusively to be a waiver of any trade secret or other protection, which would otherwise be available to the bidder.

1.39 ACCESS TO RECORDS

The City reserves the right to require the Contractor to submit to an audit. The Contractor shall provide access to all of its records which relate directly or indirectly to this Agreement at its place of business during regular

business hours. The Contractor shall retain all records pertaining to this Agreement and upon request make them available to the City for three years following expiration of the Agreement. The Contractor agrees to provide such assistance as may be necessary to facilitate the review or audit by the City to ensure compliance with applicable accounting and financial standards at no cost to the City.

1.40 INFORMATION

Further information, if desired, may be obtained from the Procurement Services Division, 2600 Hollywood, Boulevard, Room 303, Hollywood, Florida 33020, telephone 954-921-3552.

Questions or requests for clarification of the specifications shall be in writing and received by the Procurement Services Division by the date specified for a request for clarification. They may be mailed or faxed to (954) 921-3086 or emailed to RLOWERY@hollywoodfl.org.

1.41 LOCAL PREFERENCE

Pursuant to §38.50 of the City of Hollywood Code of Ordinances, the City shall grant a preference to Hollywood vendors if their initial bid is within 5% of the bid of the lowest responsive responsible bidder that is a non-local Hollywood vendor. The preference shall allow the local Hollywood vendor to submit a second and final offer which must be at least 1% less than the bid of the lowest responsive responsible non-local Hollywood vendor to be awarded. The local Hollywood vendor shall have the burden of demonstrating that it maintains a permanent place of business with full-time employees within the City limits and has done so for a minimum of one (1) year prior to the date of issuance of a bid solicitation within Hollywood, Florida. All supporting documentation (e.g. City of Hollywood valid local business tax receipt) for local preference eligibility must be received with the bid package prior to the bid opening date and time.

1.42 ELIGIBILITY

If applicable, the Contractor must first register with the Department of State of the State of Florida, in accordance with Florida Statutes, prior to entering into a contract with the City.

1.43 VENDOR REGISTRATION

You do not need to be a City of Hollywood registered vendor to bid. However follow the instructions when you go to: www.hollywoodfl.org

The Contractor shall be a registered vendor with the City Procurement Services Division for the duration of this Agreement. It is the responsibility of the Contractor to file the appropriate vendor application and to update the application file for any changes for the duration of this Agreement, including any option years.

1.44 CONFLICT IN SPECIFICATIONS

Where there appears to be a variance or conflict between these General Conditions and the Special Conditions or Technical Specifications outlined in the Bid Package, the order of preference shall be Technical Specifications, Special Conditions, and General Terms and Conditions.

1.45 EXCEPTIONS TO PROPOSAL

The bidder shall list on the space provided on the bid page or on a separate sheet of paper any exceptions to the conditions of this Bid. This sheet shall be labeled, "Exceptions to Bid Provisions," and shall be attached to the Bid. If no exceptions are stated, it will be understood that all General, Special and Technical Conditions will be complied with, without exception.

1.46 APPROVED EQUAL

When the technical specifications call for a brand name, manufacturer, make, model, or vendor catalog number with acceptance of APPROVED EQUAL, it shall be for the purpose of establishing a level of quality and features desired and acceptable to the City. In such cases, the City will be receptive to any unit that would be considered by qualified City personnel as an approved equal. In that the specified make and model represent a level of quality and features desired by the City, the Bidder must state clearly in the bid any variance from those specifications. It is the Bidder's responsibility to provide adequate information in the bid, to enable the City to ensure that the bid meets the required criteria. If adequate information is not submitted with the bid, it may be rejected. The City will be the sole judge in determining if the item bid qualifies as an approved equal.